

**META META SLIM Wall-mounted single-lever basin mixer without pop-up waste - Matte Black**

META

36 860 662 Product version up to 9/1/2021



- 190mm projection
- fixed spout
- circular, air-enriched flow
- hole diameter spout 37 mm
- hole diameter single-lever mixer 57 mm
- rosette for spout Ø 55mm
- rosette for mixer Ø 78mm
- max. flow 5.7 l/min
- lead-free
- This product can help a building meet the requirements of Green Building Rating Systems, e.g. LEED®, BREEAM®, DGNB

|   |                           |               |
|---|---------------------------|---------------|
|    | Matte Black               | 36 860 662-33 |
|    | Chrome                    | 36 860 662-00 |
|    | Brushed Platinum          | 36 860 662-06 |
|    | Dark Chrome               | 36 860 662-19 |
|    | Light Gold (PVD)          | 36 860 662-26 |
|    | Brushed Light Gold (PVD)  | 36 860 662-27 |
|    | Brushed Gold (PVD)        | 36 860 662-37 |
|    | Brushed Dark Brass (PVD)  | 36 860 662-39 |
|    | Brushed Bronze (PVD)      | 36 860 662-42 |
|   | Brushed Dark Bronze (PVD) | 36 860 662-43 |
|  | Brushed Chrome            | 36 860 662-93 |
|  | Brushed Dark Platinum     | 36 860 662-99 |

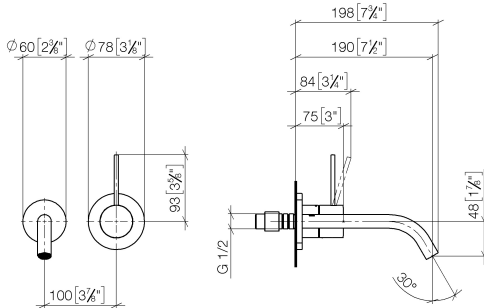
**Required miscellaneous**



**Concealed wall-mounted single-lever mixer - 35 860 970 90**

- min. recess depth 75 mm
- max. recess depth 95 mm
- mixer can be placed above, to the left or to the right of the spout.

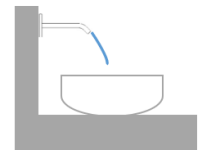
36 860 662 Product version up to 9/1/2021  
mm [inches]



Flow rate chart



Trajectory diagram



Codes & Standards

DIN 4109

EN 817

ISO 3822

Ü-Zeichen



META META SLIM Wall-mounted single-lever basin mixer without pop-up waste - Matte Black

META

---

36 860 662 Product version up to 9/1/2021

Certificates and sustainability

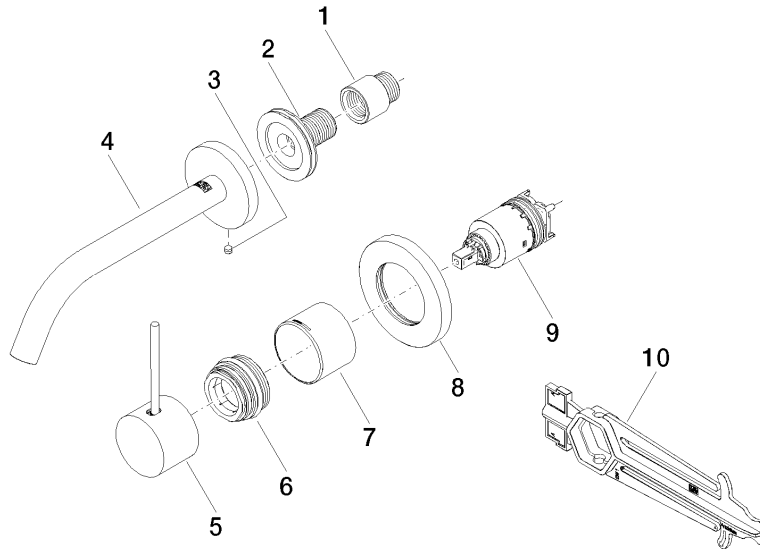
---

DVGW\_DW-  
6512DN0

LGA\_29

EPD-DOR-20230287  
-IBA1-EN  
Environmental.prod  
uct-declarat

36 860 662 Product version up to 9/1/2021



**Spare parts list**

| No.  | Item Number        | Name   | Quantity used | Delivery time |
|--|--------------------|--|---------------|---------------|
| 1  | 09 24 03 072 10 90 | Extension 1/2" x 20 mm -   | 1.00          | 14            |
| 2  | 90 24 03 280 00 90 | Connection -   | 1.00          | 14            |
| 3  | 09 31 11 112 90    | Mounting Threaded pin with hexagon socket with point M5 x 6 mm -                               | 1.00          | -             |
| Spare part can no longer be ordered, please order the replacement item |                    |  |               |               |
|  | 043111120090       | Mounting Threaded pin M5 x 6 mm -  |               |               |
| 4  | 90 28 22 323 00-33 | Spout for washstand wall mounting 190 mm, 5,68 l/min. - Matte Black                            | 1.00          | 40            |
| 9  | 90 15 05 064 01 90 | Single-lever mixer cartridge with adapter plate incl. installation spanner Ø 35 mm x 58,6 mm - | 1.00          | -             |
| Spare part can no longer be ordered, please order the replacement item |                    |  |               |               |
|  | 9015050460190      | Single-lever mixer cartridge with cartridge insert , torque wrench Ø 35 mm x 58,6 mm -         |               |               |
| 6  | 90 24 04 537 00 90 | Union piece Ø 57 x 24 mm -   | 1.00          | 14            |
| 7  | 09 11 02 334-33    | Cover Ø 45 x 32 mm - Matte Black   | 1.00          | 40            |
| 10   | 90 30 09 064 00 90 | Spanner for cartridge nut -  | 1.00          | 14            |
| 8  | 90 27 62 011 00-33 | Cover Ø 78 x Ø 45,7 x 9 mm - Matte Black   | 1.00          | 40            |
| 5  | 90 20 66 022 00-33 | Handle for washstand wall mounting Kinematics Lever Ø 45 x 33 x115 mm - Matte Black            | 1.00          | 40            |