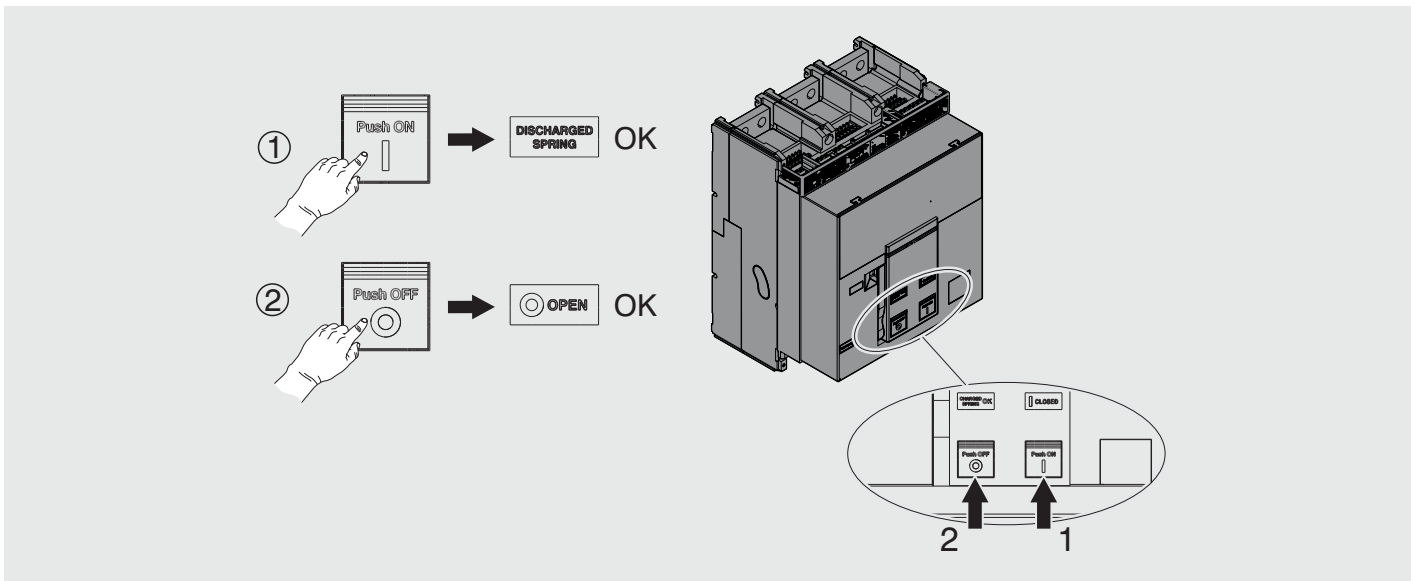


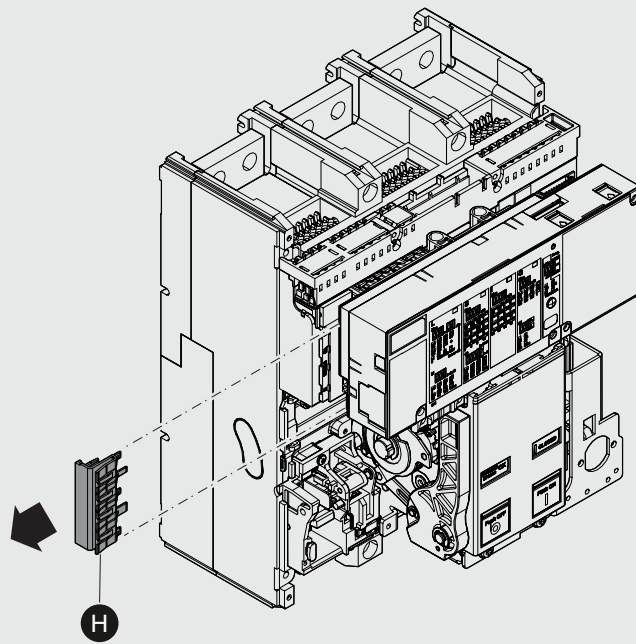
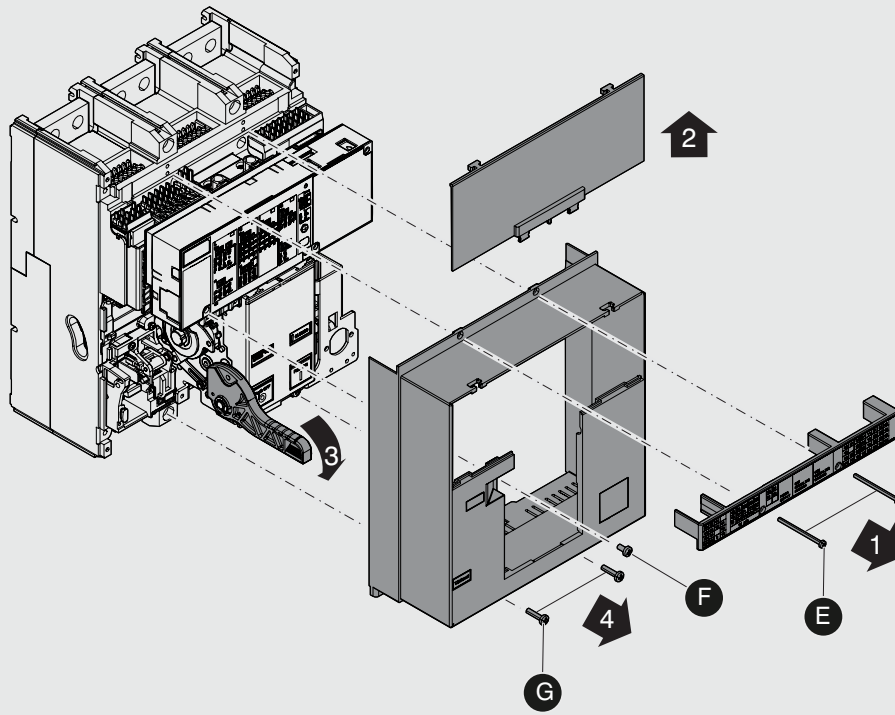
SACE Tmax XT

Motore M e Contatto di segnalazione molle cariche S33 M/2 - XT7M
Motor M and Contact for signalling springs loaded S33 M/2 - XT7M
Motor M und Meldekontakt Federn gespannt S33 M/2 - XT7M
Moteur M et Contact de signalisation ressorts bandes S33 M/2 - XT7M
Motor M y Contacto de señalización resortes cargatos S33 M/2 - XT7M
电机M和加载弹簧信号触点 S33 M/2 - XT7M

XT7M

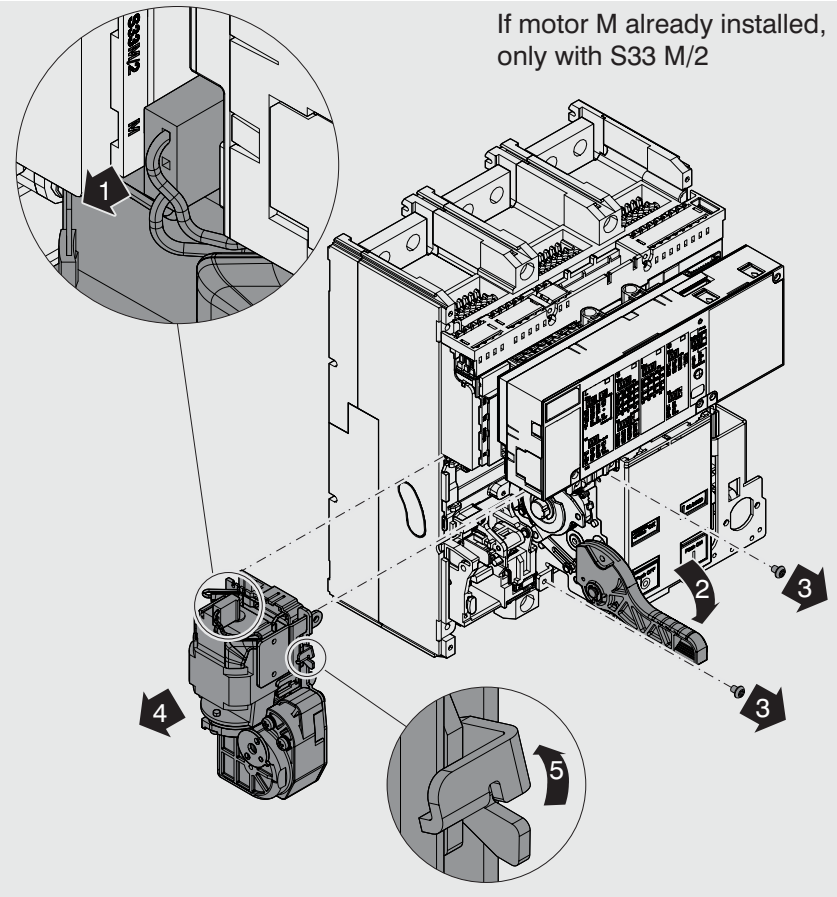


	A	B	C	D
MOTOR M	1	2	1	
S33 M/2			1	1



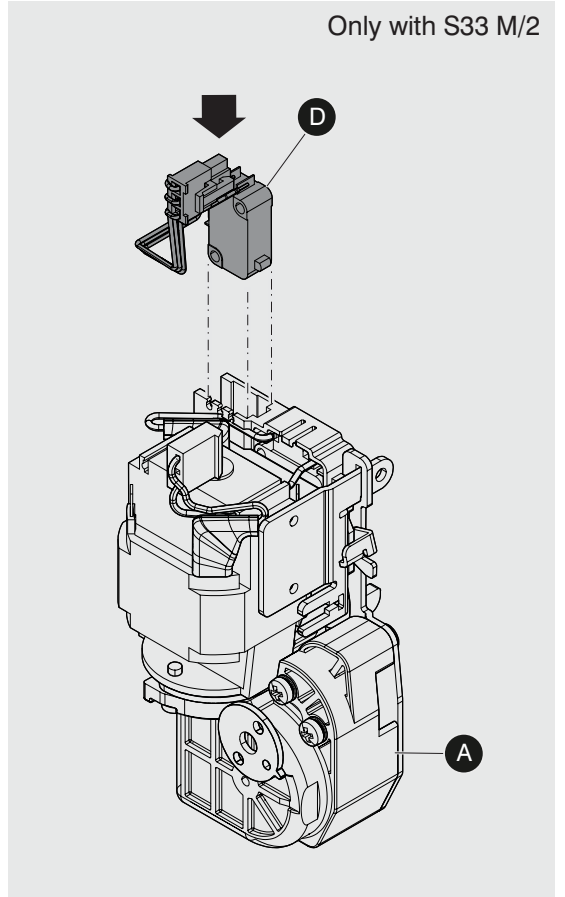
3

F



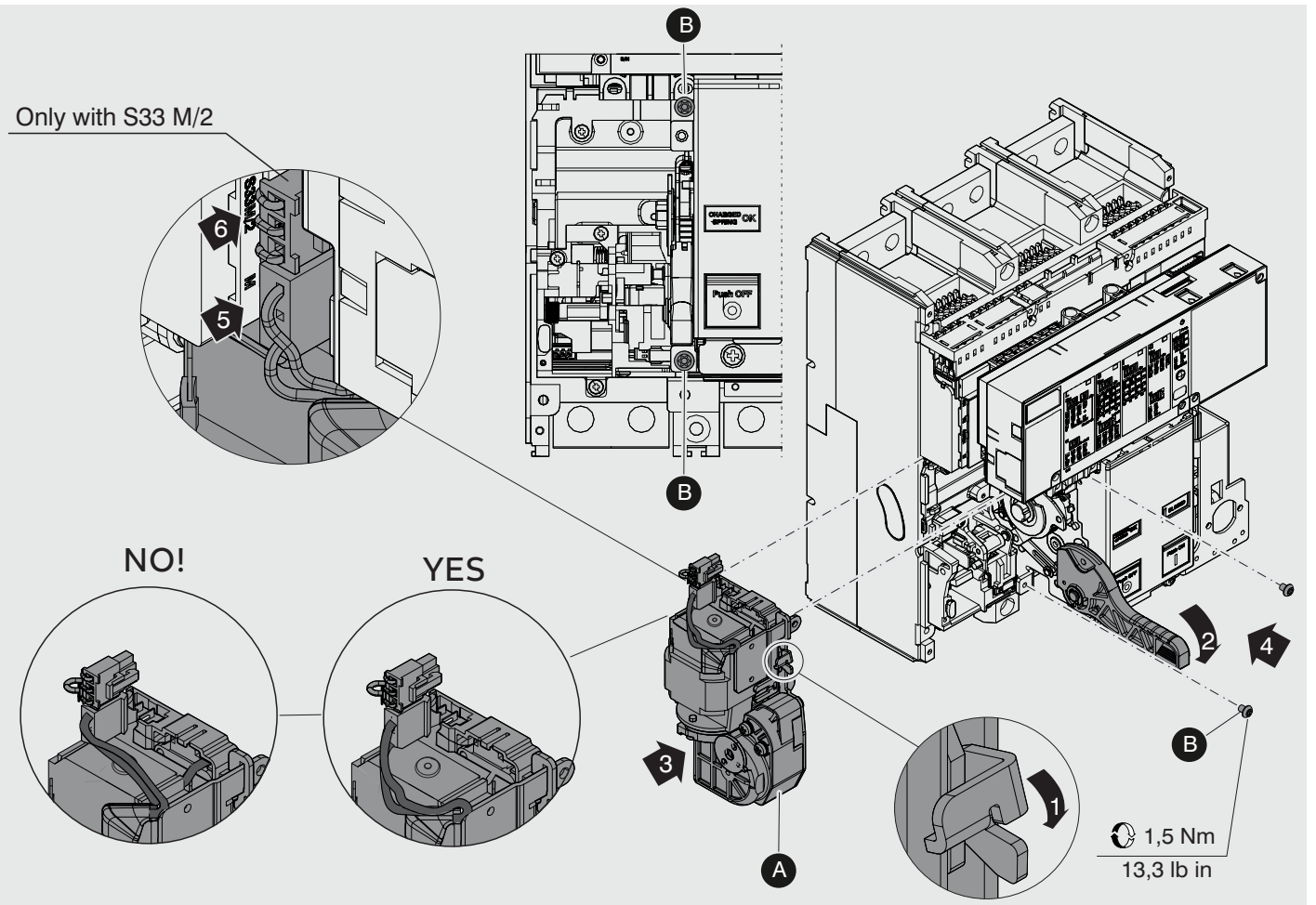
4

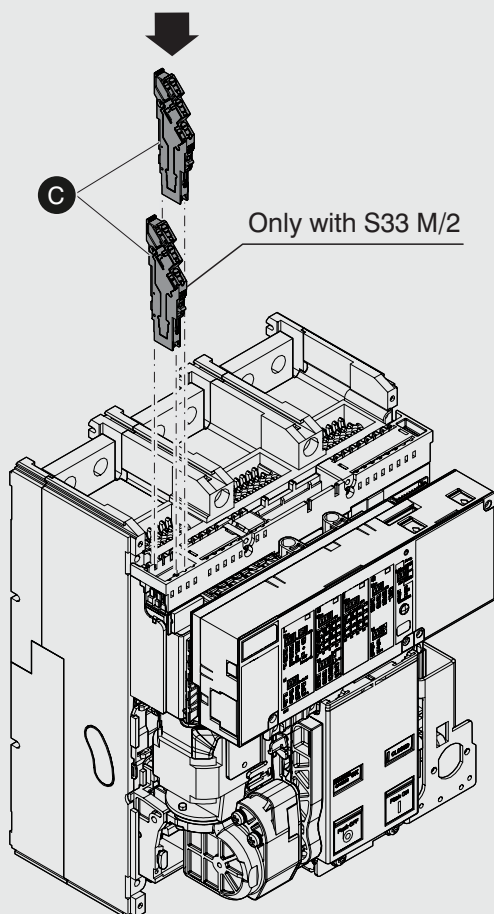
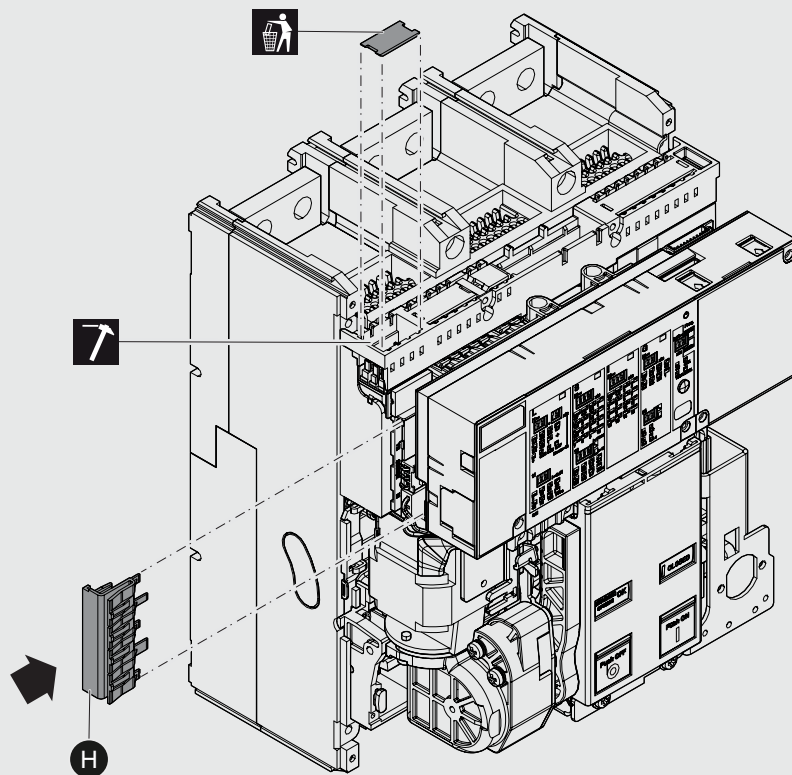
F

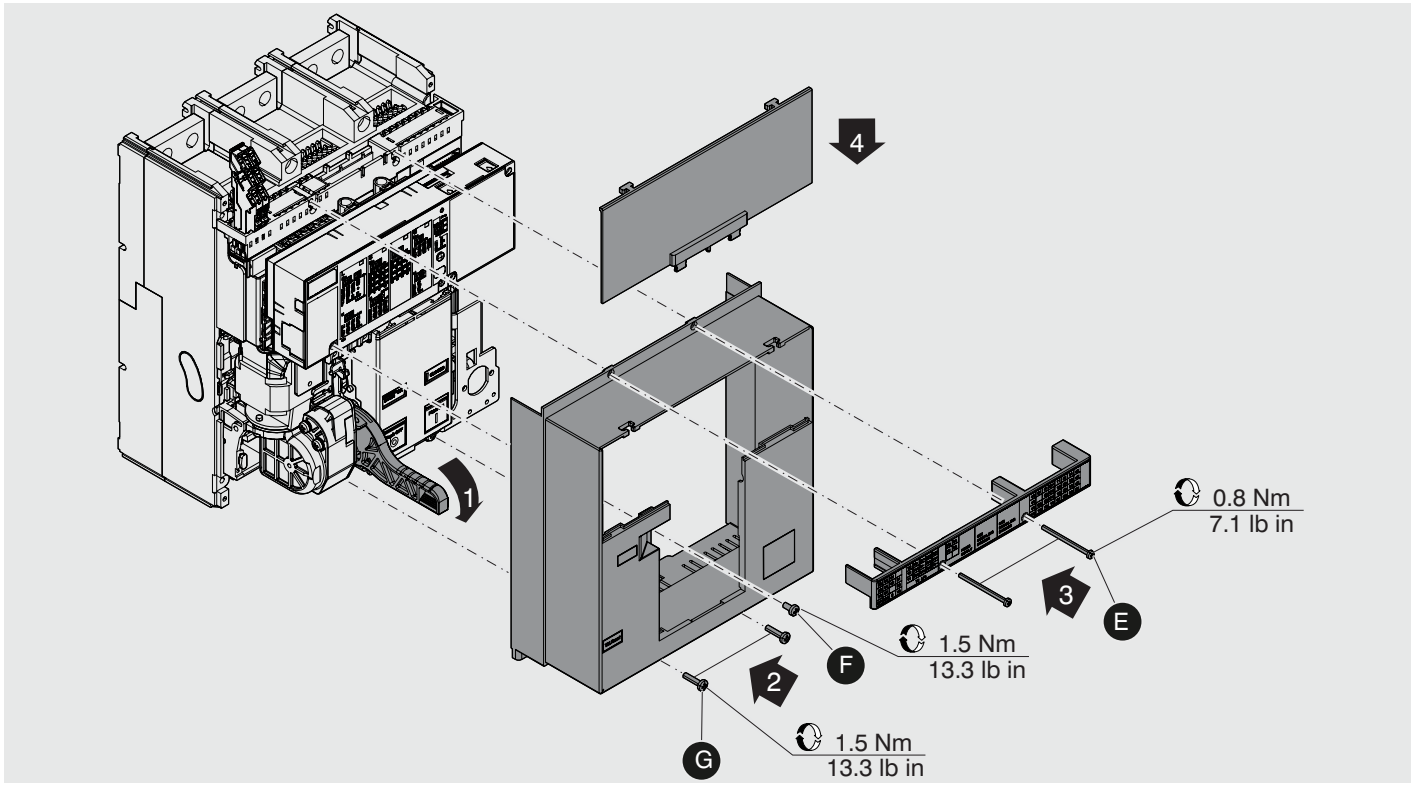


5

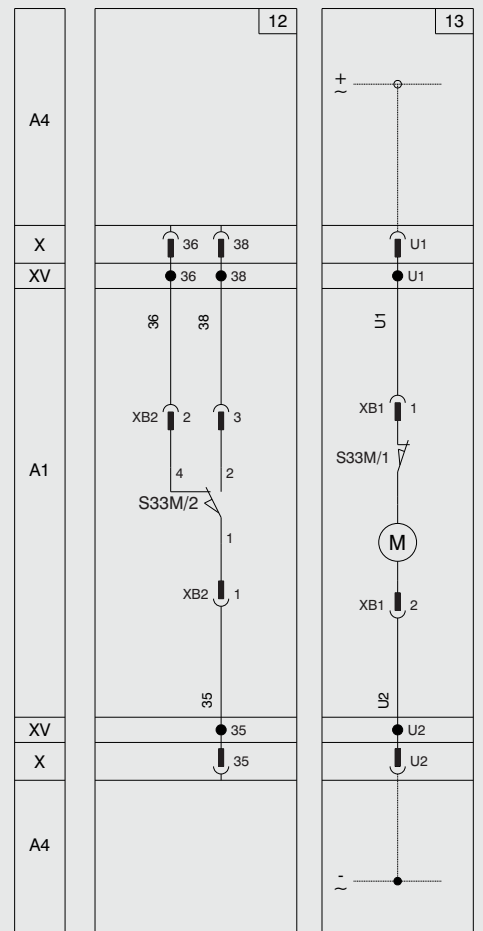
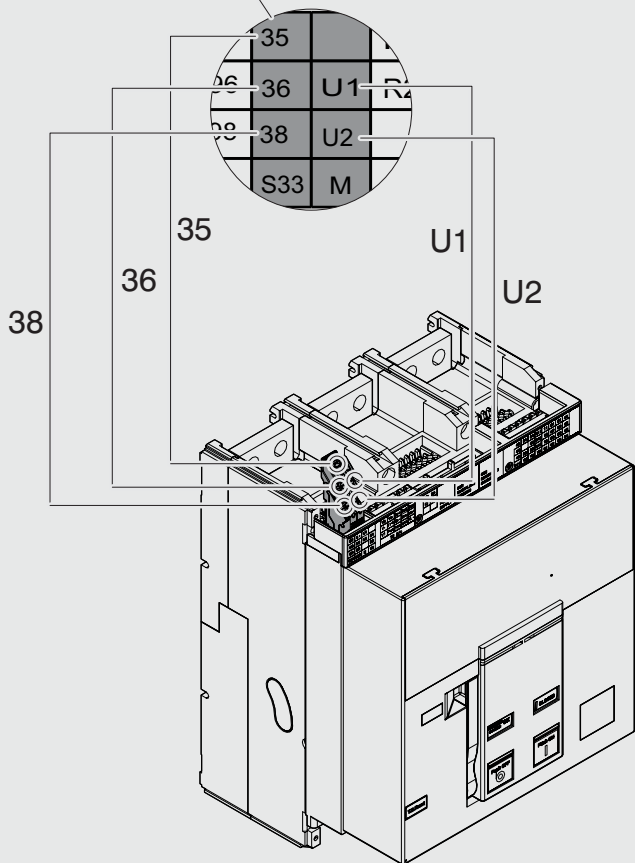
F

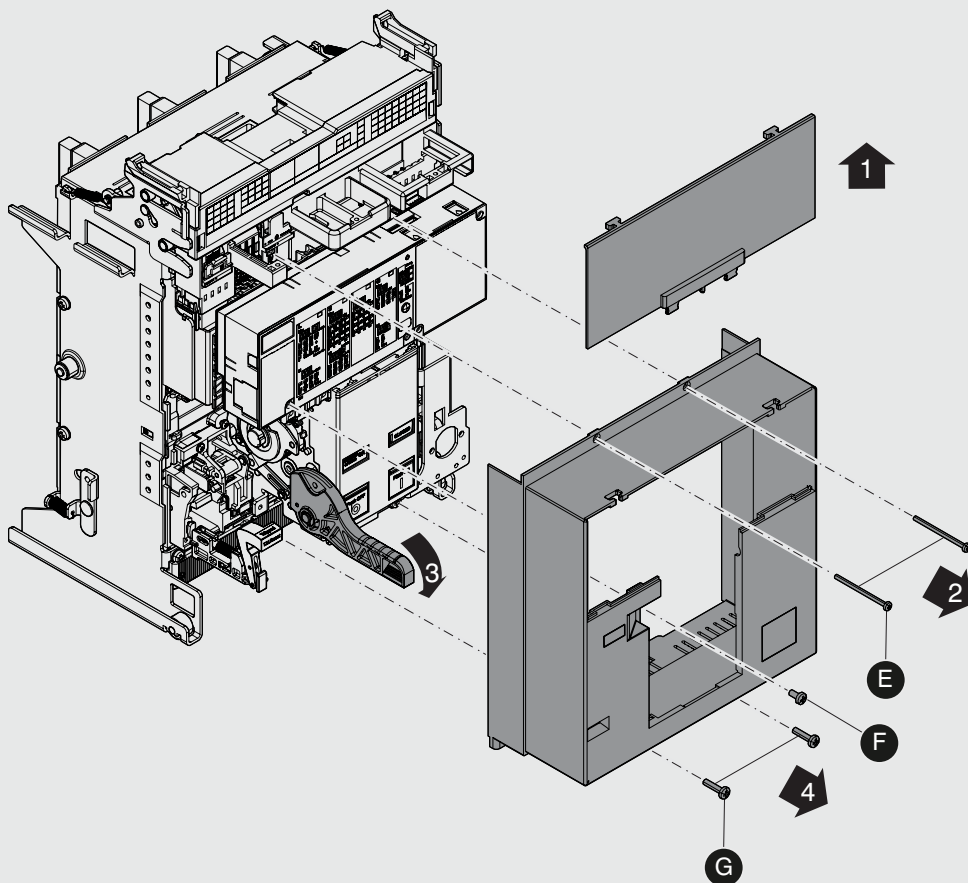
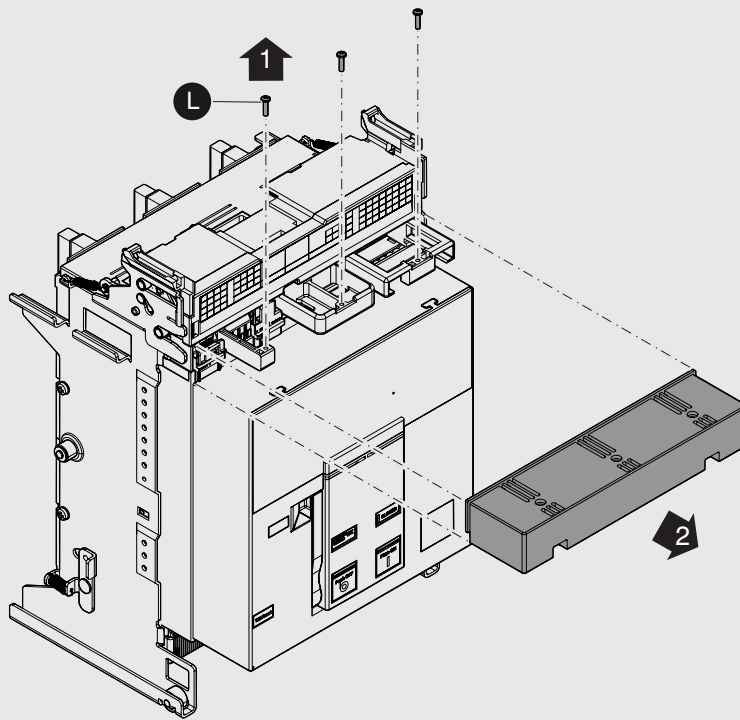


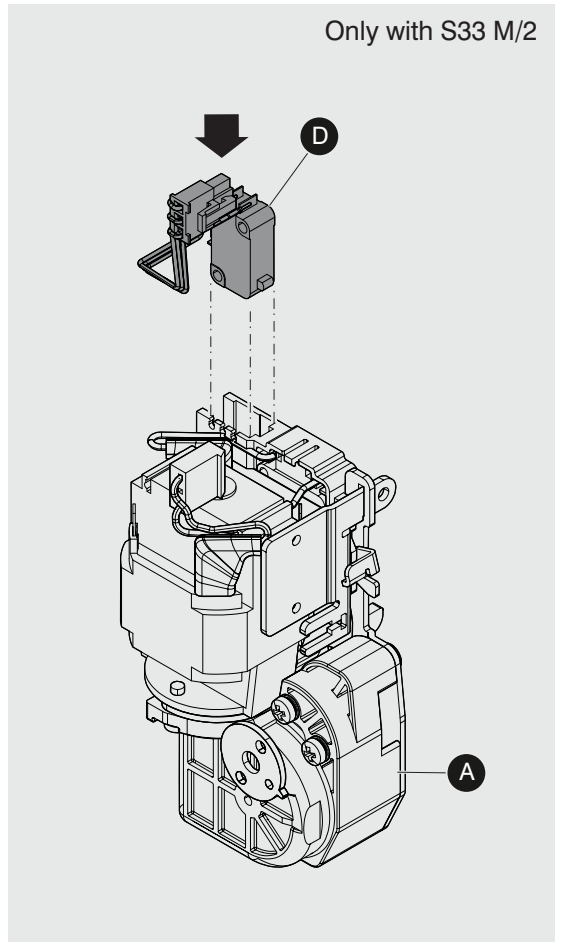
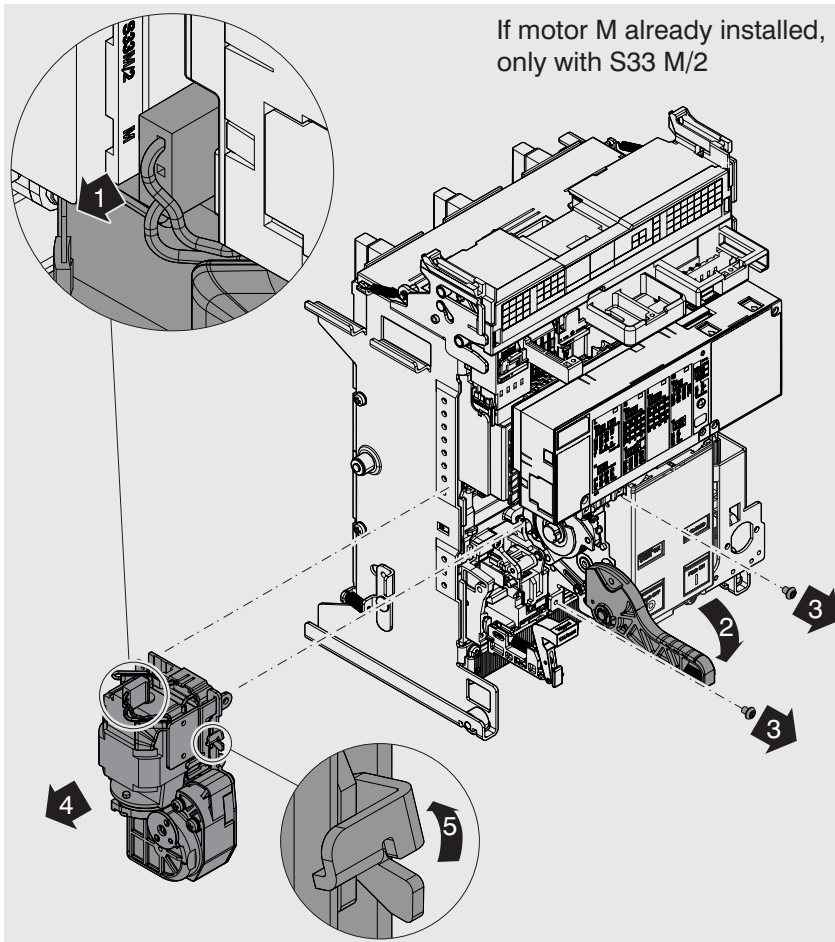
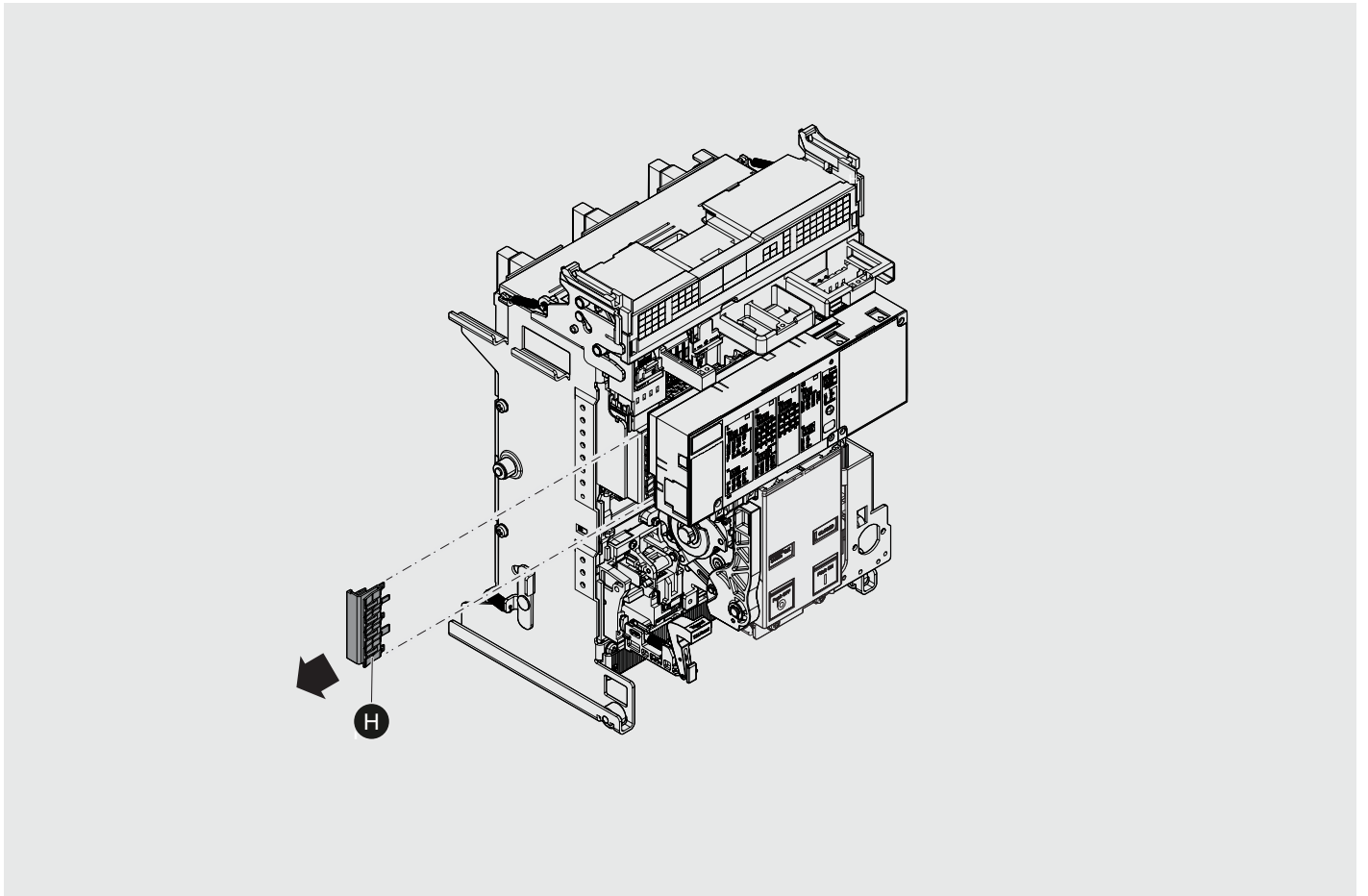


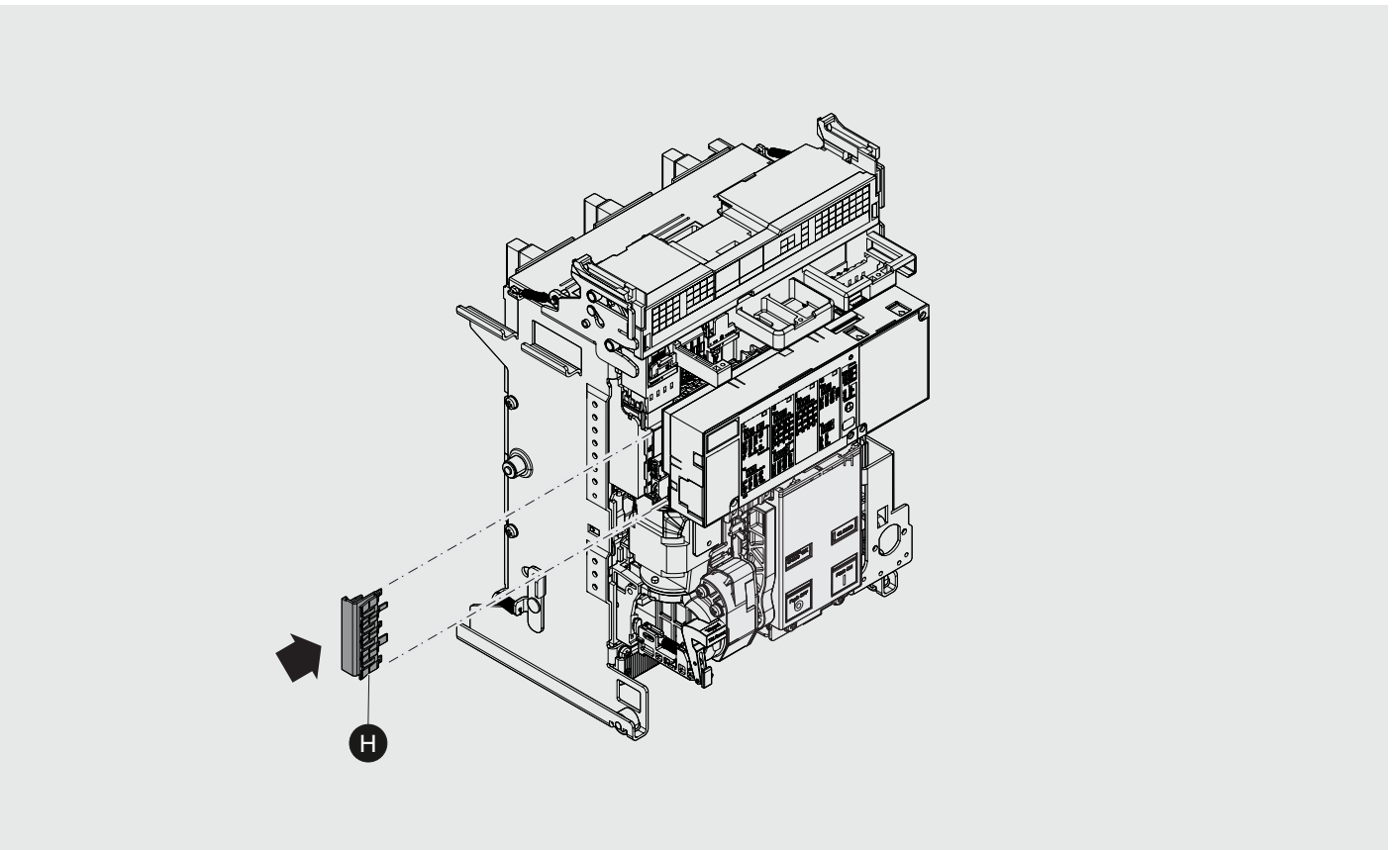
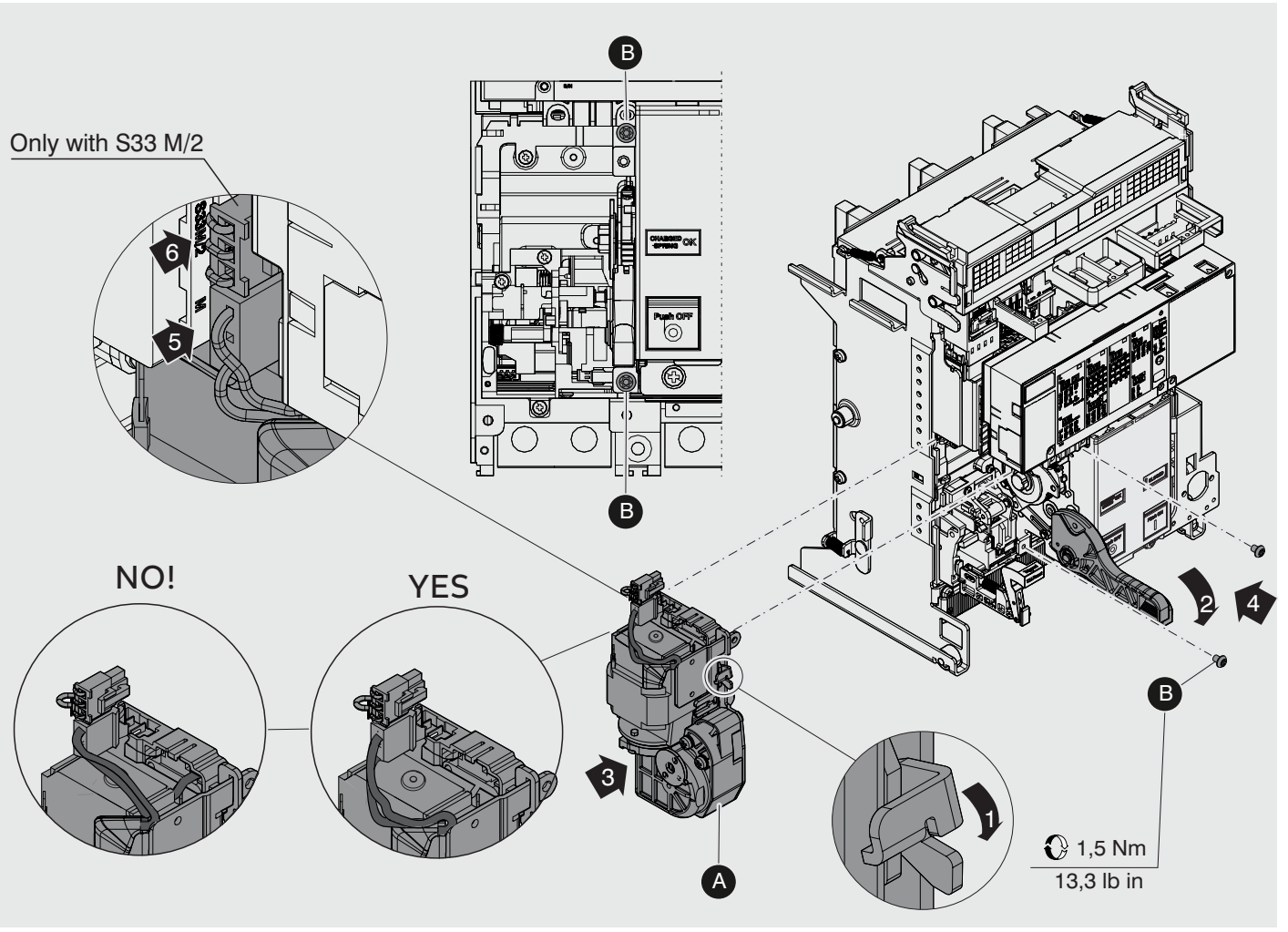


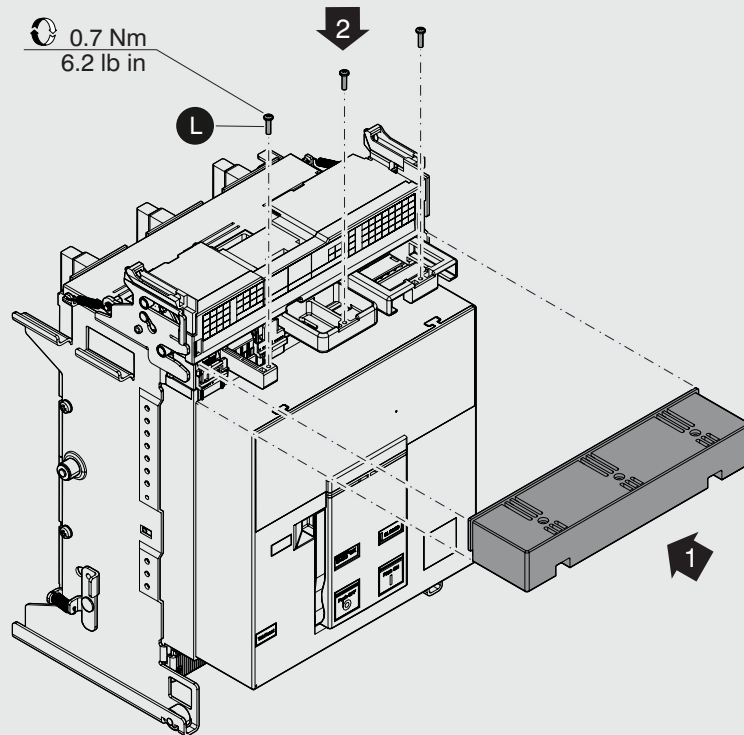
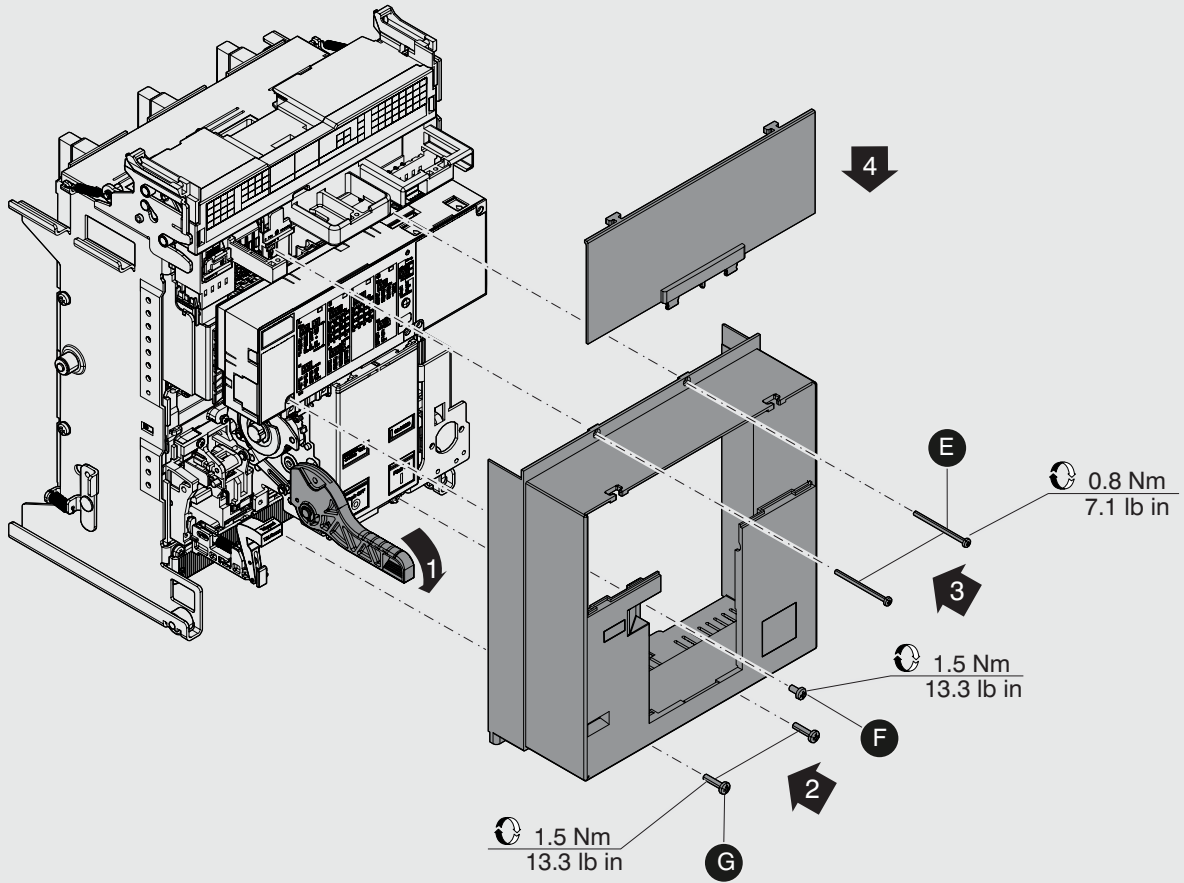
95	35	R1	V3	Vn	Ge+	Szi	Ne-	24Vdc ONLY	K2	W4	45	D1	C1	C11	11	21	31	41
96	36	U1	V2	Rct	Ge-	Szo	Ne+	K1	W3	46		C3	C13	12	22	32	42	
98	38	U2	V1	Gzo	Szc	Gzi	Rca			48	D2	C2	C12	14	24	34	44	
	S33	M	Trip Unit I/O				EKIP Supply				Module		Module		RTC			
												YU	YO	Q1	Q2	Q3	Q4	











95	35	15	37	47	V3	Vn	Ge+	Szl				Ne-	45	25	D1	C1	C11	11	21	31	41	
93	36	16	38	48	V2	Rct	Ge-	Szo				Ne+	46	26		C3	C13	12	22	32	42	
91	38	18	U2		V1	Gzo	Szc	Gzl				Rca	48	28	D2	C2	C12	14	24	34	44	
S51	SY	S4/1	S4/2	S4/3	Trip Unit I/O				Module	Module	EKIP Supply	TU I/O	RTC	S52	YU	YC	YO	Q1	Q2	Q3	Q4	

