



Features

- Elevate your lighting with this glass smart LED GU10 tuneable white lamp, offering adjustable lighting and effortless control. Same size as traditional GU10 lamps, hassle-free upgrade of existing installation to smart energy-efficient lighting. Customise lighting from warm cosy to bright daylight (2000-6500K) to fit any mood or activity. Works effortlessly with SylSmart Home App, SylRemote, Amazon Alexa, Google Assistant and Siri Shortcuts for seamless control and convenience. Adjustable brightness from 1% to 100% with wireless dimming function for perfect illumination. Transform your space with diverse pre-set scenes for the perfect ambiance.

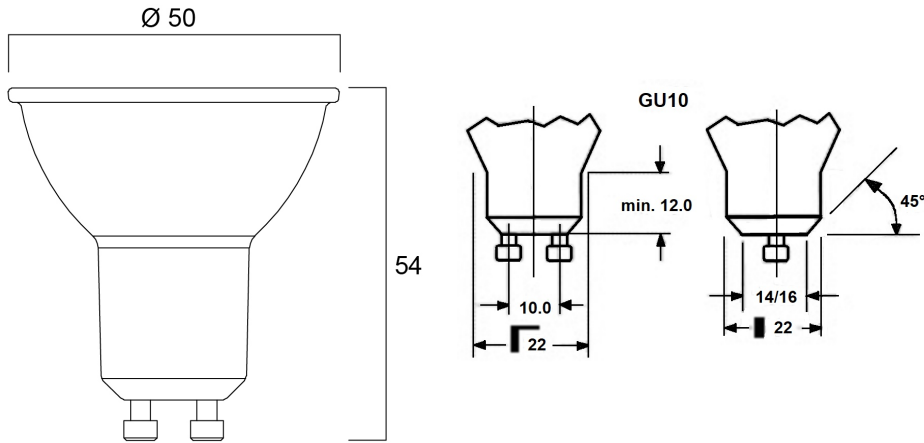
Product Overview

Product name	RefLED Retro ES50 345LM TW SST
Technology	LED
Lamp shape	Reflector
Cap/Base	GU10
Lamp finish	Fresnel lens
Fixture rating	Open
General application	Hospitality, Residential & Consumer, Retail
ETIM Class	EC001959
E-number FI	4741190
Light colour	Homelight-Cool White
CRI (Ra)	80
Colour Variation Initial (SDCM)	6
Beam Angle (°)	36
Photobiological Risk Group	RG1
Wattage (W)	4.5
Power consumption (W)	4.5
Dimmable	Yes
IP rating	IP20

RefLED Retro ES50 345LM TW SST 0030101

Product EAN number	5410288301013
Warranty	3 years
Useful luminous flux (#use)	345

Technical drawings



Data table

GENERAL DATA

Product name	RefLED Retro ES50 345LM TW SST
Technology	LED
Lamp shape	Reflector
Cap/Base	GU10
Lamp finish	Fresnel lens
Fixture rating	Open
General application	Hospitality, Residential & Consumer, Retail
Operating temperature range (°C)	-20°C...+40°C
ETIM Class	EC001959
E-number FI	4741190
Warranty	3 years

OPTICAL DATA

RefLED Retro ES50 345LM TW SST 0030101

Useful luminous flux (#use)	345
Light colour	Homelight-Cool White
CRI (Ra)	80
Colour Variation Initial (SDCM)	6
Luminous Intensity (cd)	600
Beam Angle (°)	36
Photobiological Risk Group	RG1

ELECTRICAL DATA

Power consumption (W)	4.5
Wattage (W)	4.5
Equivalent watt (W)	50
Current (A)	0.04
Primary Supply/Product voltage - min (V)	220
Primary Supply/Product voltage - max (V)	240
Control gear required	No
Dimmable	Yes
Inrush Current (A)	6
Inrush Duration (µs)	210
Lamp Energy Label (class)	F
Nominal Frequency (Hz)	50/60Hz

LIFETIME DATA

Lifespan L70 B50	15000
------------------	-------

PHYSICAL DATA

IP rating	IP20
Nominal Product Length (mm)	54
Nominal Product Diameter (mm)	50
Weight (kg)	0.05

PACKAGING

Product EAN number	5410288301013
--------------------	---------------

RefLED Retro ES50 345LM TW SST 0030101

Packaging single length / height (cm)	8.2
Packaging single width (cm)	6.1
Packaging single depth (cm)	5.1
DUN14 (inner)	15410288301010
Units per inner package	6
Packaging inner length / height (cm)	9.2
Packaging inner width (cm)	16.4
Packaging inner depth (cm)	13.1
DUN14 (outer)	25410288301017
Units per outer package	60
Packaging outer length / height (cm)	20.8
Packaging outer width (cm)	17.8
Packaging outer depth (cm)	68.5

SAFETY DATA

Optimal operating condition (°C)	-20-40
Breakage cleaning instructions	Not applicable
Special purpose lamp	No
Dry applications use only	Yes
Suitable for household illumination	Yes
Safety message	Not Suitable for totally enclosed fixtures

SYLVANIA

RefLED Retro ES50 345LM TW SST
0030101

Energy label



0030101



5
kWh/1000h



2019/2015



0030101



5
kWh/1000h



2019/2015