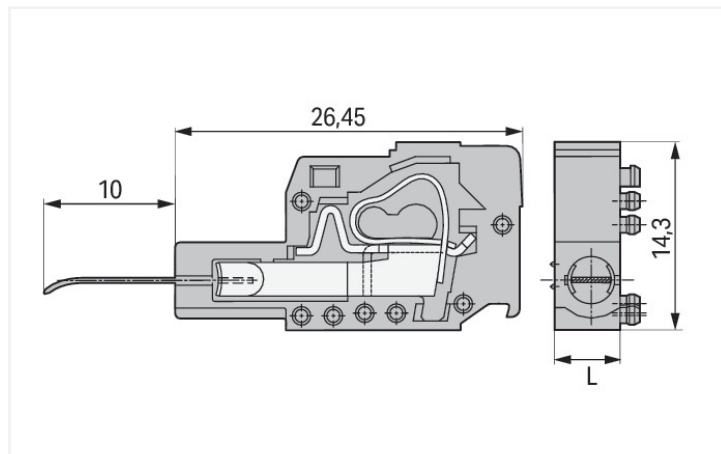


Data Sheet | Item Number: 231-125

Testing plug module with contact stud; Pin spacing 7.62 mm / 0.3 in; 2,50 mm²; orange

<https://www.wago.com/231-125>



Color: ■ orange

Similar to illustration

Dimensions in mm
L = pin spacing

Electrical data

Ratings per	IEC/EN 60664-1		
Overvoltage category	III	III	II
Pollution degree	3	2	2
Nominal voltage	-	250 V	-
Rated impulse withstand voltage	-	2.5 kV	-
Rated current	-	0.5 A	-

Connection data

Clamping units	1
Total number of potentials	1
Number of connection types	1

Connection 1

Connection technology	CAGE CLAMP®
Solid conductor	0.08 ... 2.5 mm ² / 28 ... 12 AWG
Fine-stranded conductor	0.08 ... 2.5 mm ² / 28 ... 12 AWG
Strip length	12 ... 13 mm / 0.47 ... 0.51 inches

Physical data

Pin spacing	7.62 mm / 0.3 inches
Width	7.62 mm / 0.3 inches
Height	14.3 mm / 0.563 inches
Depth	36.45 mm / 1.435 inches

Mechanical data

Use	Testing without connected conductor
Test contact length	10 mm
Suitable	for 236 Series

Material data

Note (material data)	Information on material specifications can be found here
Color	orange
Material group	I
Insulation material (main housing)	Polyamide (PA66)
Flammability class per UL94	V0
Clamping spring material	Chrome-nickel spring steel (CrNi)
Contact material	Electrolytic copper (E _{cu})
Contact Plating	Tin
Fire load	0.034 MJ
Weight	2.2 g

Environmental requirements

Limit temperature range	-60 ... +105 °C
Processing temperature	-35 ... +60 °C

Commercial data

Product Group	3 (Multi Conn. System)
PU (SPU)	100 pcs
Packaging type	Box
Country of origin	DE
GTIN	4045454761905
Customs tariff number	85366990990

Product Classification

UNSPSC	39121409
eCl@ss 10.0	27-14-11-48
eCl@ss 9.0	27-14-11-48
ETIM 9.0	EC002555
ETIM 10.0	EC002555
ECCN	NO US CLASSIFICATION

Environmental Product Compliance

RoHS Compliance Status	Compliant, No Exemption
------------------------	-------------------------

Approvals / Certificates

General approvals



Approval	Standard	Certificate Name
CSA DEKRA Certification B.V.	C22.2	1466354

Approvals for marine applications



Approval	Standard	Certificate Name
LR Lloyds Register	IEC 61984	96/20035 (E5)

Downloads

Environmental Product Compliance

Compliance Search

Environmental Product Compliance 231-125



Documentation

Additional Information

Technical Section	03.04.2019	pdf 2027.26 KB	
-------------------	------------	-------------------	--

1 Compatible Products

1.1 Required Accessories

1.1.1 End plate

1.1.1.1 End plate



[Item No.: 231-300](#)

End plate; 1.5 mm thick; orange

1.2 Optional Accessories

1.2.1 Tool

1.2.1.1 Operating tool



[Item No.: 210-720](#)

Operating tool; Blade: 3.5 x 0.5 mm; with a partially insulated shaft; multicoloured

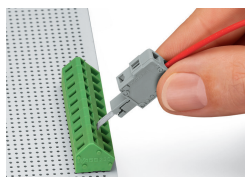


[Item No.: 210-657](#)

Operating tool; Blade: 3.5 x 0.5 mm; with a partially insulated shaft; short; multicoloured

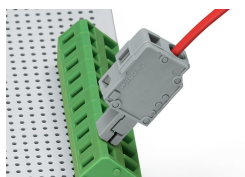
Installation Notes

Application



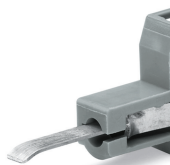
Inserting a test plug module into the operating slot.

Testing



Unwired terminal strip with inserted test plug module

Application



Contact type A:
Testing only when unwired.