



Features

- Elegant glass LED filament lamp with tunable white, offering adjustable lighting for the perfect ambiance anytime, anywhere. Same size as traditional lamps, hassle-free upgrade to Smart energy-efficient LED lighting. Customise lighting from warm cosy to bright daylight (2000-6500K) to fit any mood or activity. Works effortlessly with SylSmart Home App, SylRemote, Amazon Alexa, Google Assistant and Siri Shortcuts for seamless control and convenience. Adjustable brightness from 1% to 100% with wireless dimming function for perfect illumination. Transform your space with diverse pre-set scenes for the perfect ambiance. Sparkling light effect.



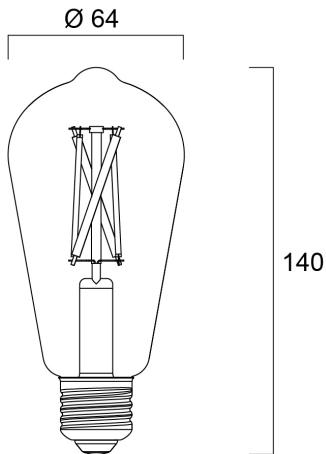
Product Overview

Product name	ToLEDo Retro ST64 806LM TW SST
Technology	LED
Lamp shape	Other
Cap/Base	E27
Lamp finish	Other
Fixture rating	Open
General application	Hospitality, Residential & Consumer, Retail
ETIM Class	EC001959
E-number FI	4741193
Light colour	Homelight-Cool White
CRI (Ra)	80
Colour Variation Initial (SDCM)	6
Photobiological Risk Group	RG1
Wattage (W)	7
Power consumption (W)	7
Dimmable	Yes
IP rating	IP20
Product EAN number	5410288301044

ToLEDo Retro ST64 806LM TW SST 0030104

Warranty	3 years
Useful luminous flux (#use)	806

Technical drawings



Data table

GENERAL DATA

Product name	ToLEDo Retro ST64 806LM TW SST
Technology	LED
Lamp shape	Other
Cap/Base	E27
Lamp finish	Other
Fixture rating	Open
General application	Hospitality, Residential & Consumer, Retail
Operating temperature range (°C)	-20°C...+40°C
ETIM Class	EC001959
E-number FI	4741193
Warranty	3 years

OPTICAL DATA

Useful luminous flux (#use)	806
-----------------------------	-----

ToLEDo Retro ST64 806LM TW SST 0030104

Light colour	Homelight-Cool White
CRI (Ra)	80
Colour Variation Initial (SDCM)	6
Photobiological Risk Group	RG1

ELECTRICAL DATA

Power consumption (W)	7
Wattage (W)	7
Equivalent watt (W)	60
Current (A)	0.051
Primary Supply/Product voltage - min (V)	220
Primary Supply/Product voltage - max (V)	240
Control gear required	No
Dimmable	Yes
Inrush Current (A)	2.9
Inrush Duration (μ s)	735
Lamp Energy Label (class)	E
Nominal Frequency (Hz)	50/60Hz

LIFETIME DATA

Lifespan L70 B50	15000
------------------	-------

PHYSICAL DATA

IP rating	IP20
Nominal Product Length (mm)	140
Nominal Product Diameter (mm)	64
Weight (kg)	0.049

PACKAGING

Product EAN number	5410288301044
Packaging single length / height (cm)	7.0
Packaging single width (cm)	7.0
Packaging single depth (cm)	15.2

ToLEDo Retro ST64 806LM TW SST 0030104

DUN14 (inner)	15410288301041
Units per outer package	6
Packaging outer length / height (cm)	21.8
Packaging outer width (cm)	14.7
Packaging outer depth (cm)	16.2

SAFETY DATA

Optimal operating condition (°C)	-20-40
Breakage cleaning instructions	Not applicable
Special purpose lamp	No
Dry applications use only	Yes
Suitable for household illumination	Yes
Safety message	Not Suitable for totally enclosed fixtures

SYLVANIA

ToLEDo Retro ST64 806LM TW SST
0030104

Energy label



0030104



7
kWh/1000h



2019/2015



0030104



7
kWh/1000h



2019/2015