

10 711 970 Product version from 4/1/2025

- control for single basin
- including adapter for Bowden cable

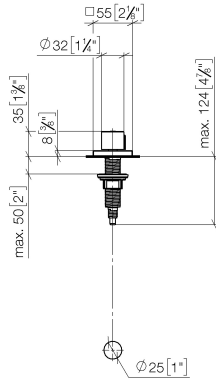
Not compatible with brushed stainless steel kitchen
sinks 38 XXX 004-86.

Fits LOT

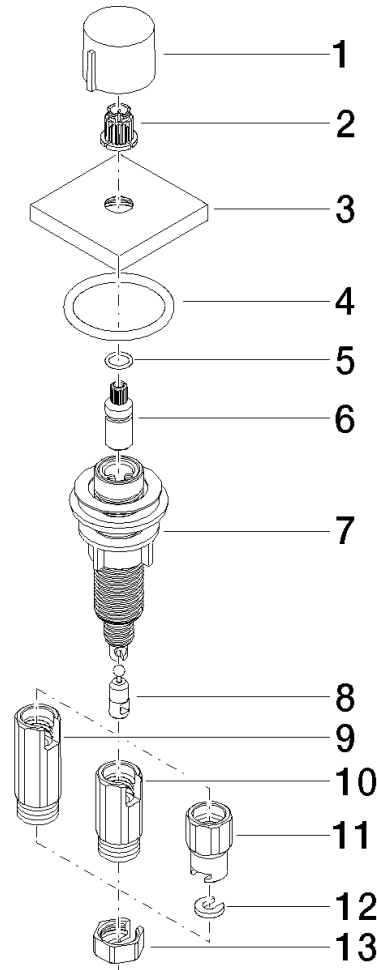


10 711 970 Product version from 4/1/2025

mm [inches]



10 711 970 Product version from 4/1/2025



Spare parts list

No.	Item Number	Name	Quantity used	Delivery time
	13 09 23 30 024-07	Mounting for strainer waste set - untreated nickel-plated	1.00	40
	8 09 24 03 175 90	Connection for strainer waste -	1.00	14
	6 09 29 06 087-00	Connection Spindle extension Ø 12 x 31 mm - Chrome	1.00	20
	1 09 20 97 030-00	Handle Ø 31,5 x 25 mm - Chrome	1.00	20
	7 04 30 01 029 00 90	Connection for strainer waste activation -	1.00	14
	2 90 12 12 002 00 90	Fixing cap white Ø 15 x 12 mm -	1.00	14
	9 09 11 10 073-07	Connection Ø 20 x 52,5 mm - untreated nickel-plated	1.00	40
	4 90 14 10 043 00 90	O-Ring 40,0 x 4,0 mm -	1.00	14
	10 09 11 10 074-07	Connection Ø 20 x 42 mm - untreated nickel-plated	1.00	40
	12 09 30 11 087 90	Disc 12,60 x 6,00 x 2,4 mm -	1.00	14
	5 09 14 10 042 90	O-Ring EPDM 70 9,0 x 1,5 mm -	1.00	14
	11 09 11 10 079-07	Connection Ø 20 x 32 mm - untreated nickel-plated	1.00	40
	3 09 27 87 007-00	Rosette 55 x 55 x 8,5 x Ø 12,2 mm - Chrome	1.00	20