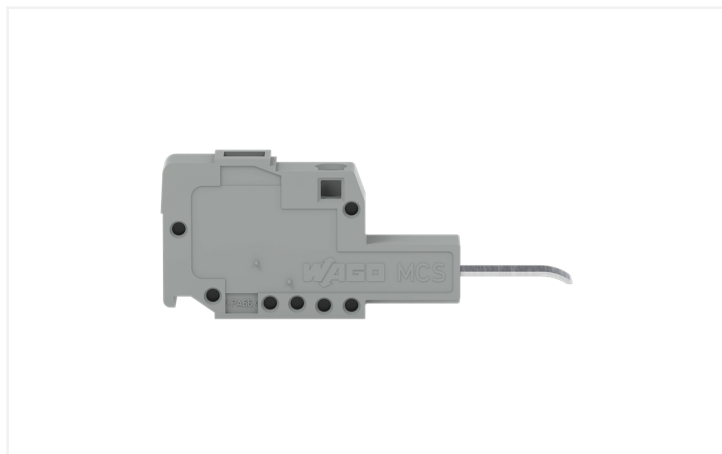
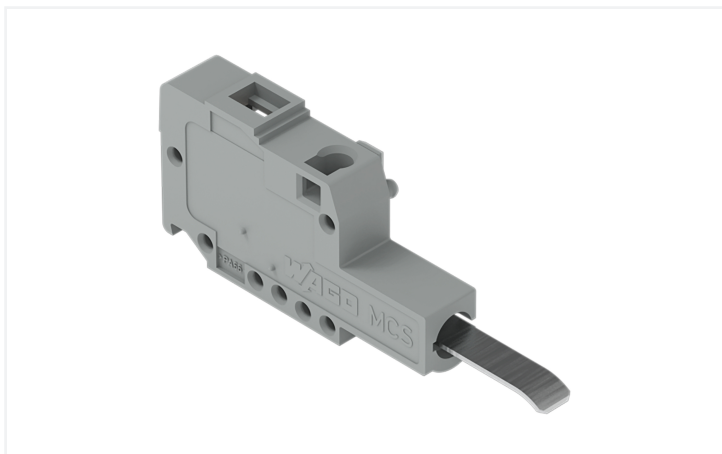


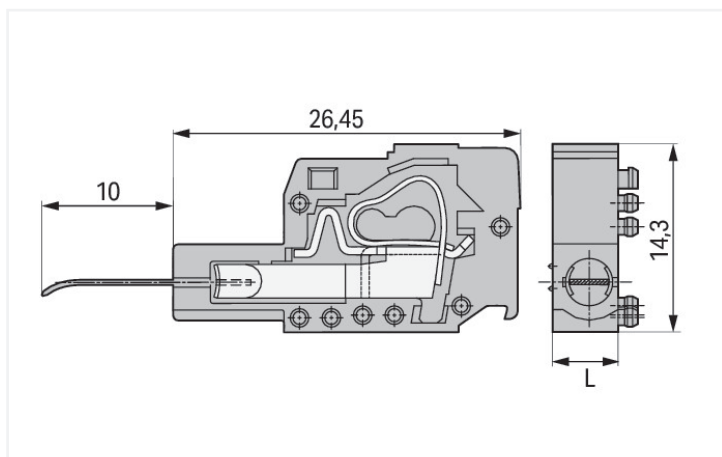
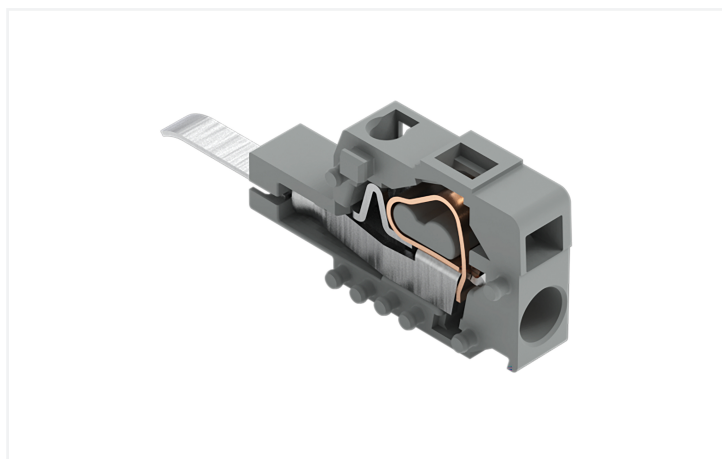
Data Sheet | Item Number: 231-127

Testing plug module with contact stud; for 236 Series; Pin spacing 5 mm / 0.197 in;
2,50 mm²; gray

<https://www.wago.com/231-127>



Color: ■ gray



Dimensions in mm
L = pin spacing

Electrical data

| Ratings per | IEC/EN 60664-1 | | |
|---------------------------------|----------------|--------|----|
| Overvoltage category | III | III | II |
| Pollution degree | 3 | 2 | 2 |
| Nominal voltage | - | 250 V | - |
| Rated impulse withstand voltage | - | 2.5 kV | - |
| Rated current | - | 0.5 A | - |

Connection data

| | |
|----------------------------|---|
| Clamping units | 1 |
| Total number of potentials | 1 |
| Number of connection types | 1 |

Connection 1

| | |
|-------------------------|--|
| Connection technology | CAGE CLAMP® |
| Solid conductor | 0.08 ... 2.5 mm ² / 28 ... 12 AWG |
| Fine-stranded conductor | 0.08 ... 2.5 mm ² / 28 ... 12 AWG |
| Strip length | 12 ... 13 mm / 0.47 ... 0.51 inches |

Physical data

| | |
|-------------|-------------------------|
| Pin spacing | 5 mm / 0.197 inches |
| Width | 5 mm / 0.197 inches |
| Height | 14.3 mm / 0.563 inches |
| Depth | 36.45 mm / 1.435 inches |

Mechanical data

| | |
|---------------------|-------------------------------------|
| Use | Testing without connected conductor |
| Test contact length | 10 mm |
| Suitable | for 236 Series |

Material data

| | |
|------------------------------------|--|
| Note (material data) | Information on material specifications can be found here |
| Color | gray |
| Material group | I |
| Insulation material (main housing) | Polyamide (PA66) |
| Flammability class per UL94 | V0 |
| Clamping spring material | Chrome-nickel spring steel (CrNi) |
| Contact material | Electrolytic copper (E _{Cu}) |
| Contact Plating | Tin |
| Fire load | 0.024 MJ |
| Weight | 1.9 g |

Environmental requirements

| | |
|-------------------------|-----------------|
| Limit temperature range | -60 ... +105 °C |
| Processing temperature | -35 ... +60 °C |

CAD/CAE-Data

CAD data

2D/3D Models 231-127



1 Compatible Products

1.1 Required Accessories

1.1.1 End plate

1.1.1.1 End plate



[Item No.: 231-100](#)

End plate; 1.5 mm thick; gray

1.2 Optional Accessories

1.2.1 Tool

1.2.1.1 Operating tool



[Item No.: 210-720](#)

Operating tool; Blade: 3.5 x 0.5 mm; with a partially insulated shaft; multicoloured



[Item No.: 210-657](#)

Operating tool; Blade: 3.5 x 0.5 mm; with a partially insulated shaft; short; multicoloured

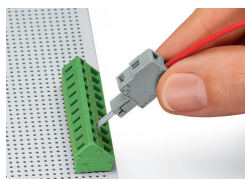


[Item No.: 209-132](#)

Operating tool; for connecting comb-style jumper bar; made of insulating material; 2-way; natural

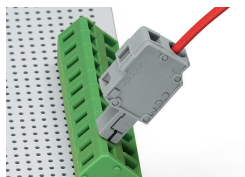
Installation Notes

Application



Inserting a test plug module into the operating slot.

Testing



Unwired terminal strip with inserted test plug module

Application



Contact type A:
Testing only when unwired.