

**MADISON Showerpipe with shower mixer without hand shower 200 mm -
Brushed Durabronze (23kt Gold)**

MADISON

26 632 360 Product version from 4/1/2025



- rain shower Ø 200 mm
- Rain shower material: metal
- overhead shower: rain flow
- max. rainshower flow 14 l/min
- Function from: 8 l/min
- rain shower with anti-scale system

Control element:

- rotary diverter for fixed-riser shower/hand shower
- metal shower hose 1250mm with integrated anti-twist protection

Technical data:

- shower with fixed riser projection 420mm
- height of fittings up to rain shower (bottom edge) 1009mm
- height of fittings up to top edge of elbow 1180mm
- rosette for wall mounting Ø 70mm
- rosette for shower mixer Ø 60mm
- rosette for shower holder Ø 66mm
- Pipe diameter 20 mm
- gauge 150 mm - 13 mm

Notes:

- This product can help a building meet the requirements of Green Building Rating Systems, e.g. LEED®, BREEAM®, DGNB

This article does not include a hand shower!

	Brushed Durabronze (23kt Gold)	26 632 360-28
	Chrome	26 632 360-00
	Brushed Platinum	26 632 360-06
	Platinum	26 632 360-08
	Durabronze (23kt Gold)	26 632 360-09
	Brushed Gold (PVD)	26 632 360-37
	Brushed Dark Brass (PVD)	26 632 360-39
	Brushed Bronze (PVD)	26 632 360-42
	Brushed Dark Platinum	26 632 360-99

Required miscellaneous



MADISON Hand shower 28 002 978-28
FlowReduce 95 mm - Brushed Durabronze (23kt Gold) 0010
 • Three settings: COMPACT RAIN, COMPACT SOFT FLOW, COMPACT AQUAPRESSURE FLOW, max. flow rate l/min (at 3 bar)
 • spray head Ø 95mm
 • Hand shower see page {PAGE}

Required miscellaneous



MADISON Metal hand shower with porcelain insert (white) 28 002 970-28
FlowReduce - Brushed Durabronze (23kt Gold) 0010

Required miscellaneous

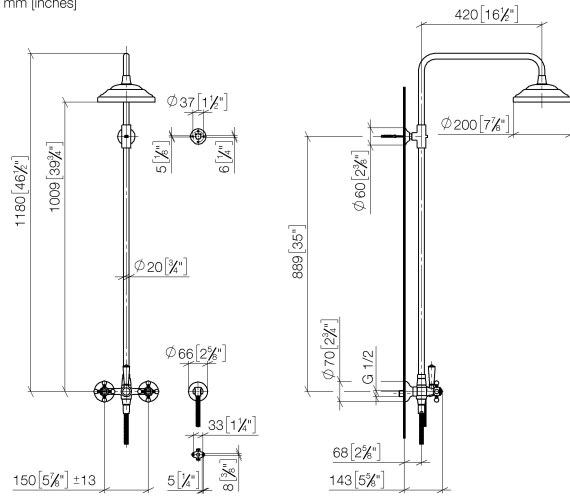


MADISON Hand shower 95 mm - Brushed Durabronze (23kt Gold) 28 002 978-28
 • Three settings: COMPACT RAIN, COMPACT SOFT FLOW, COMPACT AQUAPRESSURE FLOW, max. flow rate l/min (at 3 bar)
 • spray head Ø 95mm
 • Hand shower see page {PAGE}

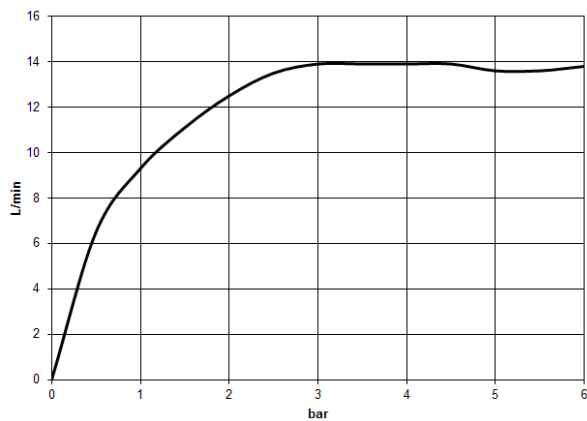
**MADISON Showerpipe with shower mixer without hand shower 200 mm -
Brushed Durabronz (23kt Gold)**

MADISON

26 632 360 Product version from 4/1/2025
mm [inches]



Flow rate chart



Codes & Standards

DIN 4109

EN 1717

ISO 3822

Scottish Water
Byelaws

UK Water Supply
Regulations

Ü-Zeichen



MADISON Showerpipe with shower mixer without hand shower 200 mm -
Brushed Durabronz (23kt Gold)

MADISON

26 632 360 Product version from 4/1/2025

Certificates and sustainability

LGA_29

Belgaqua_21-023-2 WRAS_2204

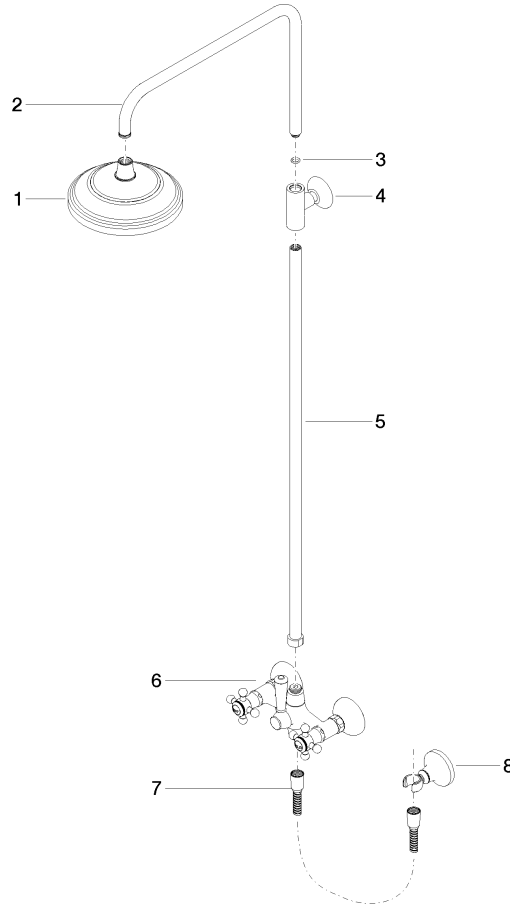
EPD-DOR-20230287 Belgaqua_25-345-2
-IBA1-EN
Environmental.prod
uct-declarat

**MADISON Showerpipe with shower mixer without hand shower 200 mm -
Brushed Durabron (23kt Gold)**

MADISON

26 632 360 Product version from 4/1/2025

Parts for other
finishes can be found
here: [Chrome](#)



Spare parts list

No.	Item Number	Name	Quantity used	Delivery time
2	04 28 22 101 20-28	Spout 447,5 x 30 x 297 mm - Brushed Durabron (23kt Gold)	1.00	40
4	90 17 11 033 00-28	holder	1.00	-
Spare part can no longer be ordered, please order the replacement item				
7	28 104 970-28	Metal shower hose 1/2" x 1/2" x 1250 mm - Brushed Durabron (23kt Gold)	1.00	20
5	90 28 22 096 00-28	Pipe 830 mm - Brushed Durabron (23kt Gold)	1.00	40
8	28 050 410-28	MADISON Wall bracket - Brushed Durabron (23kt Gold)	1.00	-
Spare part can no longer be ordered, please order the replacement item				
1	04 12 05 038 01-28	Rainshower round Ø 200 x 93 mm - Brushed Durabron (23kt Gold)	1.00	40
6	04 17 10 001 00-28	Housing for spray wall mounting 234 x 147 x 150 mm - Brushed Durabron (23kt Gold)	1.00	40
3	90 14 10 011 00 90	O-Ring EPDM 70 11,0 x 2,5 mm -	1.00	14