

17 861 888 Product version from 3/9/2016 to 5/27/2021



- 146mm projection
- rigid, thermally insulated spout
- laminar flow
- height of mixer 288 mm
- height up to laminar flow regulator 180 mm
- hole diameter 35 mm
- provides filtered, hot water up to 93°C
- provides filtered, cold water
- max. flow 2 l/min at 3 bar flow pressure
- ready-to-use control unit for wall mounting (137mm x 159mm x 60mm)
- electronic magnetic valve
- 100-230 V, 50-60 Hz, 18 W power supply unit, incl. country-specific adapter set
- lead-free
- Spout ring cannot be removed.

• This product can help a building meet the requirements of Green Building Rating Systems, e.g. LEED®, BREEAM®, DGNB

A minimum flow pressure of 3 bar is necessary for the HOT & COLD WATER DISPENSER to work perfectly in conjunction with a hot water tank and filter.

The installation must be above a kitchen sink.

The filter cartridge must be changed every six months. The installation instructions contain further information for guidance.

Detailed planning information and technical data can be found at

www.dornbracht.com/professional

Not compatible with reverse osmosis filtration

A minimum flow pressure of 3 bar is necessary for the HOT & COLD WATER DISPENSER to work perfectly in conjunction with a hot water tank and filter.

The installation must be above a kitchen sink.

The filter cartridge must be changed every six months. The installation instructions contain further information for guidance.

Detailed planning information and technical data can be found at www.dornbracht.com/professional

Not compatible with reverse osmosis filtration

Required miscellaneous

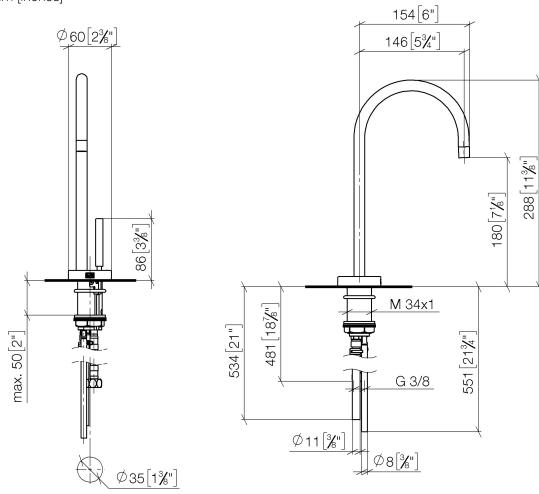


Hot water tank incl. filter -

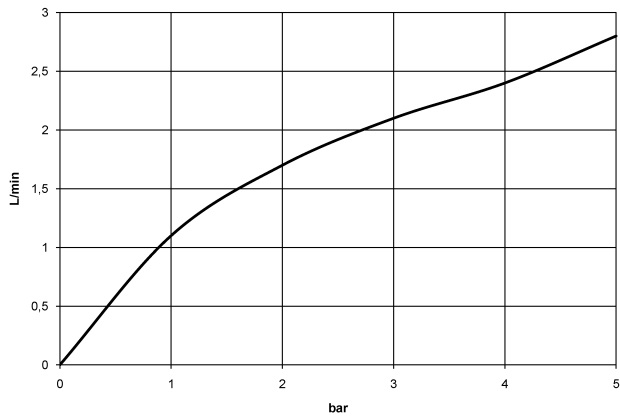
12 892 970 90

17 861 888 Product version from 3/9/2016 to 5/27/2021

mm [inches]



Flow rate chart



Codes & Standards

| | | | |
|----------------|--------|----------|-----------------------------|
| ASME A112.18.1 | cUPC | DIN 4109 | Executive Order no. 1007 |
| ISO 3822 | NSF372 | NSF61 | Ü-Zeichen |



TARA HOT & COLD WATER DISPENSER - Brushed Platinum

TARA

17 861 888 Product version from 3/9/2016 to 5/27/2021

Certificates and sustainability

IAPMO_N-4

IAPMO_4976

GDV_0400

IAPMO_6

LGA_28

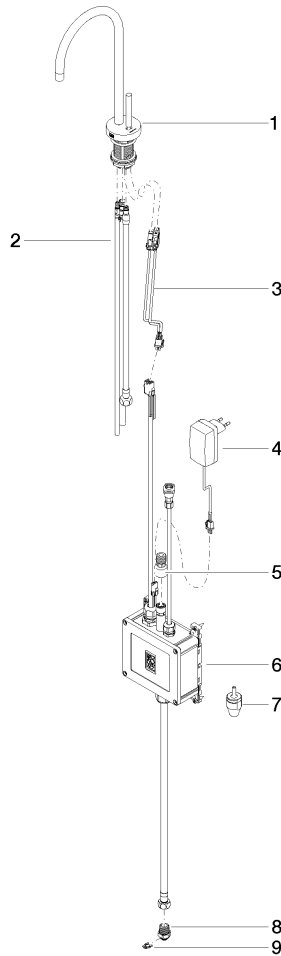
EPD-DOR-20230287

-IBA1-EN

Environmental.prod

uct-declarat

17 861 888 Product version from 3/9/2016 to 5/27/2021



Spare parts list

| No. | Item Number | Name | Quantity used | Delivery time |
|--|--------------------|--|---------------|---------------|
| 7 | 90 24 04 291 00 90 | Connection Venting valve, HCWD Ø 26 x 58 mm - | 1.00 | 14 |
| 6 | 90 11 11 064 01 90 | Control unit for Hot and Cold Water Dispenser 315 x 85 x 210 mm - | 1.00 | 14 |
| 8 | 09 24 04 293 90 | Nipple 20,5 x 23 x 30 mm - | 1.00 | 14 |
| 4 | 04 10 01 050 00 90 | Power supply International power supply unit electronic - | 1.00 | - |
| Spare part can no longer be ordered, please order the replacement item | | | | |
| | 0410012460090 | Power supply International power supply unit electronic - | | |
| 1 | 90 17 85 100 06-06 | Spout for Hot and Cold Water Dispenser 520 x 200 x 180 mm - Brushed Platinum | 1.00 | 20 |
| 9 | 09 16 01 045 90 | Ring 15,4 x 12,48 x 1,39 mm - | 1.00 | 14 |
| 5 | 12 866 970 90 | Adapter Flow restrictor HCWD 3/8" - | 1.00 | 14 |
| 2 | 90 30 04 067 00 90 | Tube for Hot & Cold Water Dispenser Complete set - | 1.00 | 14 |
| 3 | 90 10 01 048 00 90 | Control unit for Hot and Cold Water Dispenser Electronic component switch 48 x 253 x 59 mm - | 1.00 | 14 |