

Data Sheet | Item Number: 713-1408/117-000/997-407

THR male header, 2-row; 0.8 x 0.8 mm solder pin; straight; 100% protected against mismatching; in tape-and-reel packaging; Pin spacing 3.5 mm; 16-pole; black

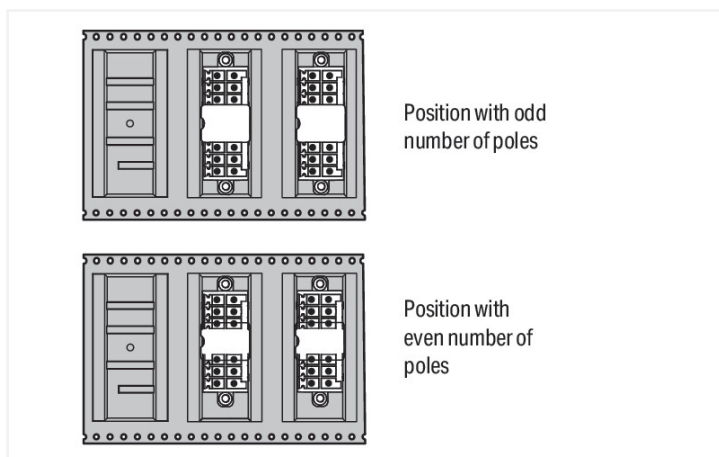
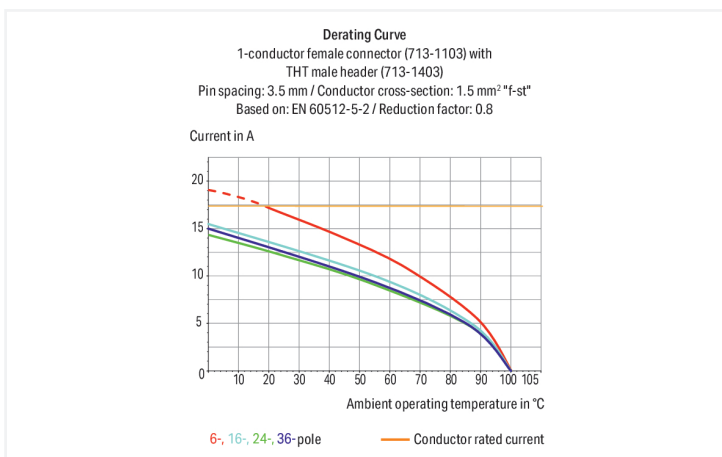
<https://www.wago.com/713-1408/117-000/997-407>



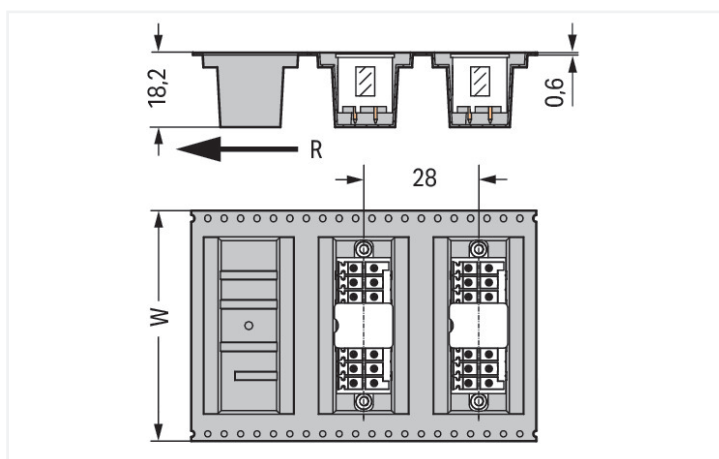
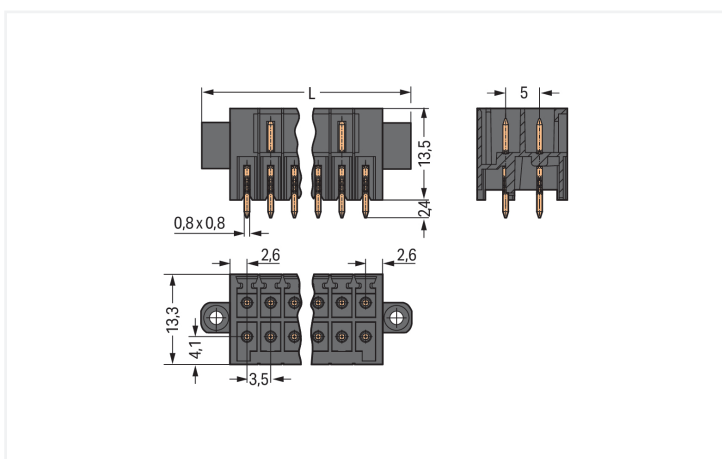
Color: ■ black

Similar to illustration

Similar to illustration



Dimensions in mm
 Pin position in tape-and-reel packaging



Male connector, 713 Series, solder pin dimensions 0.8 x 0.8 mm

Our male connector (item number 713-1408/117-000/997-407) ensures effortless electrical installations. The dimensions are (38.1 x 15.9 x 13.3) mm (width x height x depth).

The contact surface is coated with tin. The pcb connector is designed for THR soldering.

Notes	
Safety Information	The MCS – MULTI CONNECTION SYSTEM includes connectors without breaking capacity in accordance with DIN EN 61984. When used as intended, these connectors must not be connected/disconnected when live or under load. When used as intended, these connectors must not be connected/disconnected when live or under load. The circuit design should ensure header pins, which can be touched, are not live when unmated.
Variants:	Other pole numbers Other solder pin lengths Gold-plated or partially gold-plated contact surfaces Other versions (or variants) can be requested from WAGO Sales or configured at https://configurator.wago.com/ .

Electrical data

Ratings per	IEC/EN 60664-1			Approvals per	UL 1059		
Overvoltage category	III	III	II	Use group	B	C	D
Pollution degree	3	2	2	Rated voltage	150 V	50 V	-
Nominal voltage	80 V	160 V	250 V	Rated current	10 A	10 A	-
Rated impulse withstand voltage	2.5 kV	2.5 kV	2.5 kV				
Rated current	10 A	10 A	10 A				

Approvals per	CSA		
Use group	B	C	D
Rated voltage	150 V	-	-
Rated current	12 A	-	-

Connection Data

Total number of potentials	16	Connection 1	
Number of connection types	1	Pole number	16
Number of levels	2		

Physical data

Pin spacing	3.5 mm / 0.138 inches
Width	38.1 mm / 1.5 inches
Height	15.9 mm / 0.626 inches
Height from the surface	13.5 mm / 0.531 inches
Depth	13.3 mm / 0.524 inches
Solder pin length	2.4 mm
Solder pin dimensions	0.8 x 0.8 mm
Plated through-hole diameter (THR)	1.3 ^(±0.1) mm
Reel diameter of tape-and-reel packaging	330 mm
Tape width	56 mm

Mechanical data

Variable coding	Yes
Anti-rotation protection	Yes

Plug-in connection

Contact type (pluggable connector)	Male connector/plug
Connector (connection type)	for PCB
Mismating protection	Yes
Mating direction to the PCB	90 °
Locking of plug-in connection	Threaded flange

PCB contact

PCB contact	THR
Solder pin arrangement	over the entire male connector (in-line)
Number of solder pins per potential	1

Material data

Note (material data)	Information on material specifications can be found here
Color	black
Material group	I
Insulation material (main housing)	Polyphthalamide (PPA GF)
Flammability class per UL94	V0
Contact material	Electrolytic copper (E _{Cu})
Contact Plating	Tin
Fire load	0 MJ
Weight	4.8 g
MSL per J-STD 020D	1

Environmental requirements

Limit temperature range	-60 ... +100 °C
Processing temperature	-35 ... +60 °C

Commercial data

PU (SPU)	120 pcs
Packaging type	Bag
Country of origin	DE
GTIN	4050821308867
Customs tariff number	85366930000

Product Classification

UNSPSC	39121409
eCl@ss 10.0	27-44-04-02
eCl@ss 9.0	27-44-04-02
ETIM 9.0	EC002637
ETIM 10.0	EC002637
ECCN	NO US CLASSIFICATION

Environmental Product Compliance

RoHS Compliance Status	Compliant,With Exemption
RoHS Exemption	6(c)
SCIP notification number (Austria)	b44f0667-7aef-4248-a0ad-1d071e4182fa
SCIP notification number (Belgium)	6f21ca4c-e2fd-4252-89ef-e2e0605ed99d
SCIP notification number (Bulgaria)	31e1c82b-28ff-446e-ac3b-32df2f685770
SCIP notification number (Czech Republic)	303fba08-1123-4792-882e-906bd5760240
SCIP notification number (Denmark)	fe51fa16-3ca7-4f49-9136-444f4b19a184
SCIP notification number (Finland)	53f5daf1-422f-4c44-97ce-c905a3781a56
SCIP notification number (France)	2be15c08-7369-4ee9-8b9f-fdbd77c10950
SCIP notification number (Germany)	e557e7dd-d6be-4179-a003-13a7a8d2c30c
SCIP notification number (Hungary)	971419b1-796f-4c79-848d-ae02e591579c
SCIP notification number (Italy)	f8aa09c9-ff71-4239-b1f6-9de517e91628
SCIP notification number (Netherlands)	abb8efef-c8d0-4c9e-a826-e74d16406af4
SCIP notification number (Poland)	eff368d7-72d7-4cb6-9037-f81963e8ecf7
SCIP notification number (Romania)	cbc8b6e3-3126-46b9-9b20-022c09e26e9a
SCIP notification number (Sweden)	42a71cea-847f-4152-b54e-800a11d64444

Approvals / Certificates

General approvals



Approval	Standard	Certificate Name
CB DEKRA Certification B.V.	IEC 61984	NL-102427
CSA CSA Group	C22.2	2315087
KEMA/KEUR DEKRA Certification B.V.	EN 61984	71-133740

Declarations of conformity and manufacturer's declarations



Approval	Standard	Certificate Name
Railway WAGO GmbH & Co. KG	-	Z00004424.000

Downloads

Environmental Product Compliance

Compliance Search



Documentation

Additional Information

Technical Section	03.04.2019	pdf 2027.26 KB	
		pdf 535.32 KB	

CAD/CAE-Data

CAD data



PCB Design



1 Compatible Products

1.1 System counterpart

1.1.1 Female connector/socket

**Item No.: 713-1108/107-000**

1-conductor female connector, 2-row; CA-GE CLAMP®; 1.5 mm²; Pin spacing 3.5 mm; 16-pole; 100% protected against mismatching; Screw flange; black

1.2 Optional Accessories

1.2.1 Coding

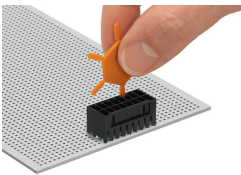
1.2.1.1 Coding

**Item No.: 714-101**

Coding key; orange

Installation Notes

Coding



Coding a male header by inserting a coding pin.