

Data Sheet | Item Number: 231-436/001-000/105-604/997-407

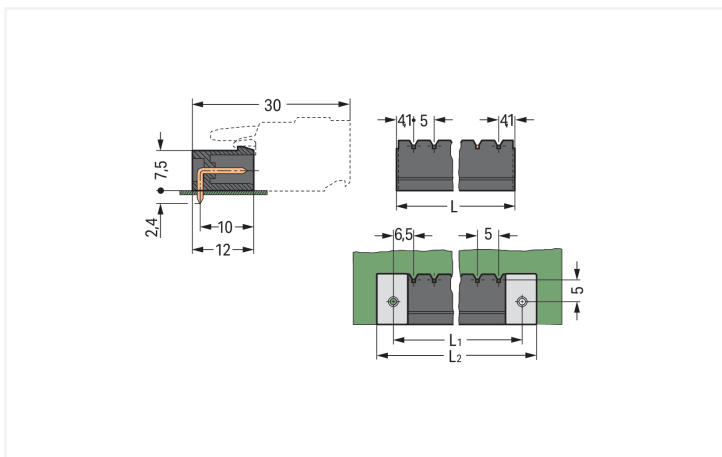
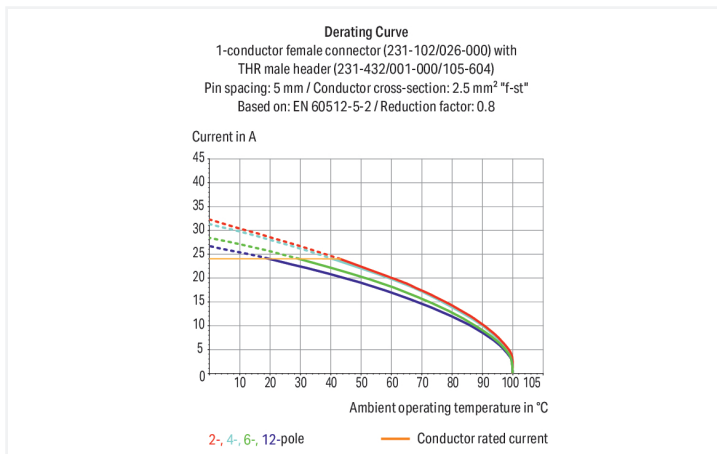
THR male header; 1.0 x 1.0 mm solder pin; angled; in tape-and-reel packaging; Pin spacing 5 mm; 6-pole; black

<https://www.wago.com/231-436/001-000/105-604/997-407>



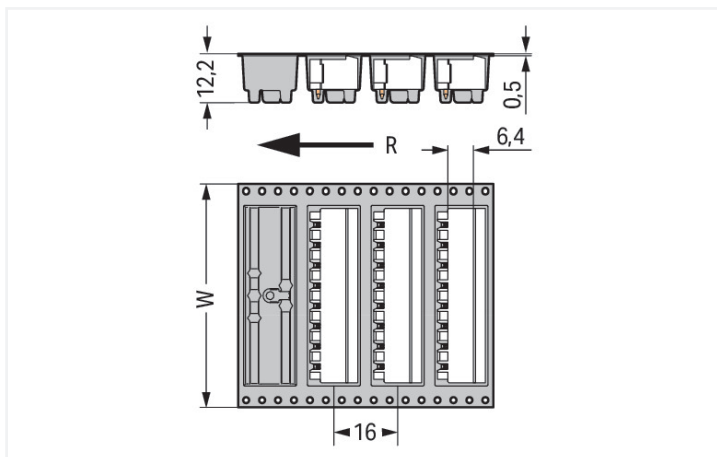
Color: ■ black

Similar to illustration



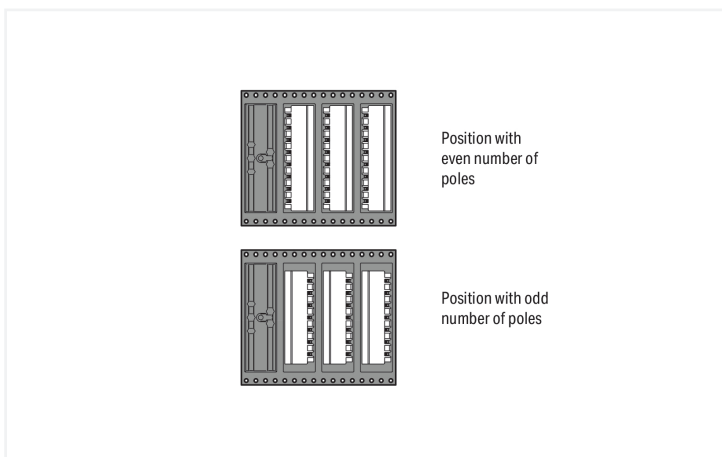
Dimensions in mm

$L = (\text{pole no.} - 1) \times \text{pin spacing} + 8.2 \text{ mm}$
 $L_1 = L + 4.8 \text{ mm}$
 $L_2 = L_1 + 7.2 \text{ mm}$



Dimensions in mm

W = tape width
 R = feed direction



Dimensions in mm

Pin position in tape-and-reel packaging



Male connector, 231 Series, black

Effortless electrical installations are guaranteed with this male connector (item number 231-436/001-000/105-604/997-407). Dimensions: (33.2 x 10.8 x 12) mm (width x height x depth).

Tin is used for coating the contact surfaces. The pcb connector is designed for THR soldering.

Notes	
Safety Information	The MCS – MULTI CONNECTION SYSTEM includes connectors without breaking capacity in accordance with DIN EN 61984. When used as intended, these connectors must not be connected/disconnected when live or under load. When used as intended, these connectors must not be connected/disconnected when live or under load. The circuit design should ensure header pins, which can be touched, are not live when unmated.
Variants:	Other pole numbers Gold-plated or partially gold-plated contact surfaces Other versions (or variants) can be requested from WAGO Sales or configured at https://configurator.wago.com/ .

Electrical data								
Ratings per		IEC/EN 60664-1			Approvals per		UL 1059	
Overvoltage category		III	III	II	Use group	B	C	D
Pollution degree		3	2	2	Rated voltage	300 V	-	300 V
Nominal voltage		320 V	320 V	630 V	Rated current	10 A	-	10 A
Rated impulse withstand voltage		4 kV	4 kV	4 kV				
Rated current		12 A	12 A	12 A				

Approvals per		UL 1977		Approvals per		CSA	
Rated voltage		600 V		Use group	B	C	D
Rated current		10 A		Rated voltage	300 V	-	300 V
				Rated current	10 A	-	10 A

Connection Data						
Total number of potentials	6	<table border="1"> <thead> <tr> <th colspan="2">Connection 1</th> </tr> </thead> <tbody> <tr> <td>Pole number</td> <td>6</td> </tr> </tbody> </table>	Connection 1		Pole number	6
Connection 1						
Pole number	6					
Number of connection types	1					
Number of levels	1					

Physical data	
Pin spacing	5 mm / 0.197 inches
Width	33.2 mm / 1.307 inches
Height	10.8 mm / 0.425 inches
Height from the surface	8.4 mm / 0.331 inches
Depth	12 mm / 0.472 inches
Solder pin length	2.4 mm
Solder pin dimensions	1 x 1 mm
Plated through-hole diameter (THR)	1.4 (+0.1) mm
Reel diameter of tape-and-reel packaging	330 mm
Tape width	56 mm

Mechanical data

Variable coding	Yes
Anti-rotation protection	Yes

Plug-in connection

Contact type (pluggable connector)	Male connector/plug
Connector (connection type)	for PCB
Mismating protection	No
Mating direction to the PCB	0°

PCB contact

PCB contact	THR
Solder pin arrangement	over the entire male connector (in-line)
Number of solder pins per potential	1

Material data

Note (material data)	Information on material specifications can be found here
Color	black
Material group	I
Insulation material (main housing)	Polyphthalamide (PPA GF)
Flammability class per UL94	V0
Contact material	Electrolytic copper (E _{Cu})
Contact Plating	Tin
Fire load	0.046 MJ
Weight	2.2 g
MSL per J-STD 020D	1

Environmental requirements

Limit temperature range	-60 ... +100 °C
Processing temperature	-35 ... +60 °C

Commercial data

PU (SPU)	170 pcs
Packaging type	Box
Country of origin	DE
GTIN	4044918936521
Customs tariff number	85366930000

Product Classification

UNSPSC	39121409
eCl@ss 10.0	27-44-04-02
eCl@ss 9.0	27-44-04-02
ETIM 9.0	EC002637
ETIM 10.0	EC002637
ECCN	NO US CLASSIFICATION

Environmental Product Compliance

RoHS Compliance Status Compliant, No Exemption

Approvals / Certificates

General approvals



Approval	Standard	Certificate Name
CSA DEKRA Certification B.V.	C22.2	1466354

Downloads

Environmental Product Compliance

Compliance Search ↓

Documentation

Additional Information			
Technical Section	03.04.2019	pdf 2027.26 KB	↓
		pdf 535.32 KB	↓

CAD/CAE-Data

CAD data ↓

CAE data ↓

PCB Design ↓

↓

1 Compatible Products

1.1 System counterpart

1.1.1 Female connector/socket



Item No.: [231-106/026-000](#)

1-conductor female connector; CAGE CLAMP®; 2.5 mm²; Pin spacing 5 mm; 6-pole; gray

1.2 Optional Accessories

1.2.1 Coding

1.2.1.1 Coding



Item No.: [231-129](#)

Coding key; snap-on type; light gray

1.2.1.2 Intermediate plate

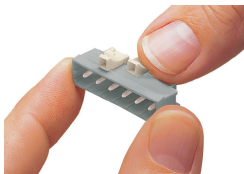


Item No.: [231-500](#)

Spacer; for formation of groups; light gray

Installation Notes

Coding



Coding a male header – fitting coding key (s).