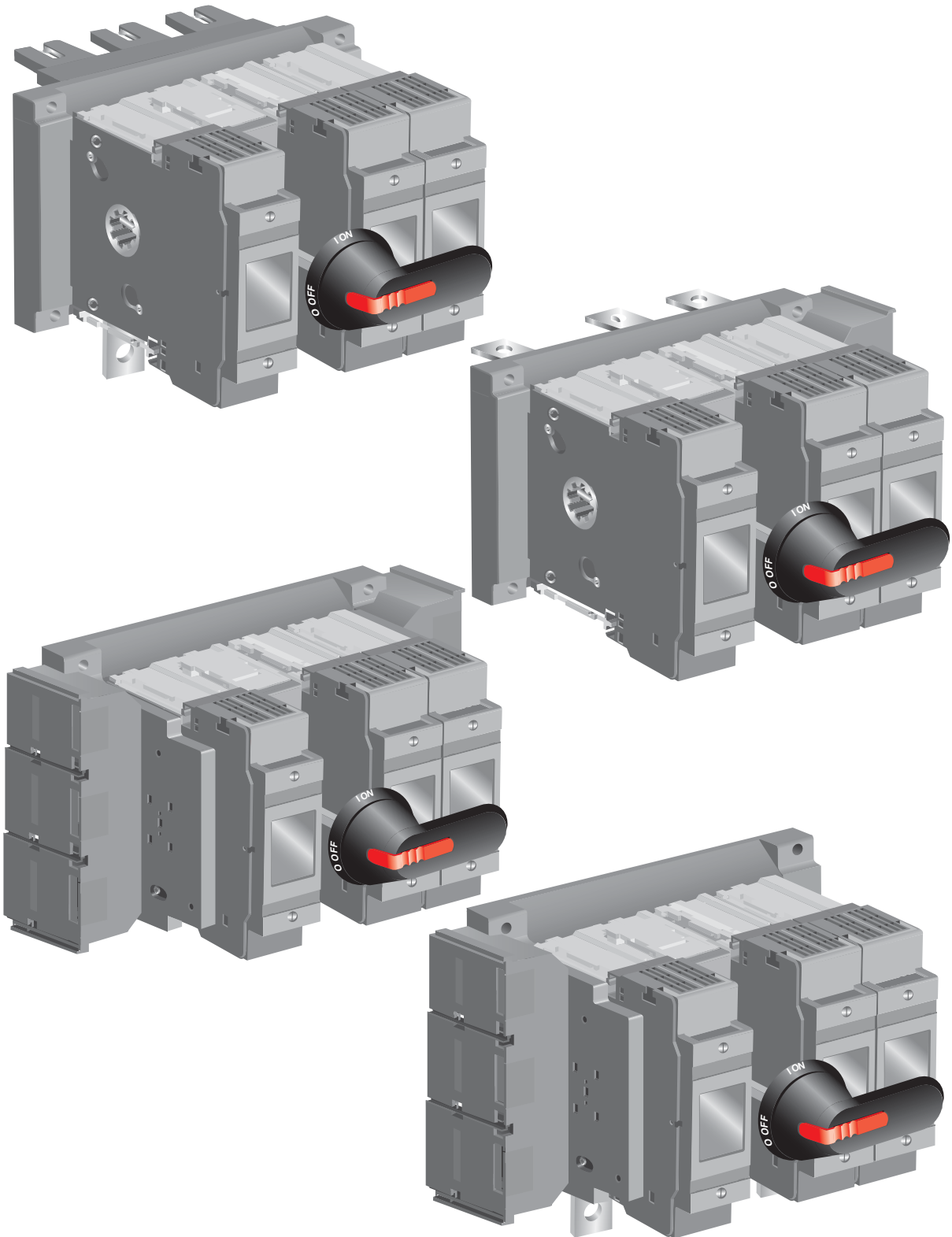


# OS200-250PD-LR

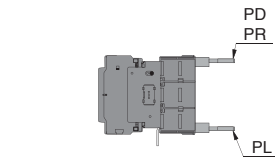
1SCC311019M0002

Document no. 34OS200-250PD-LR B



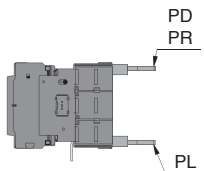
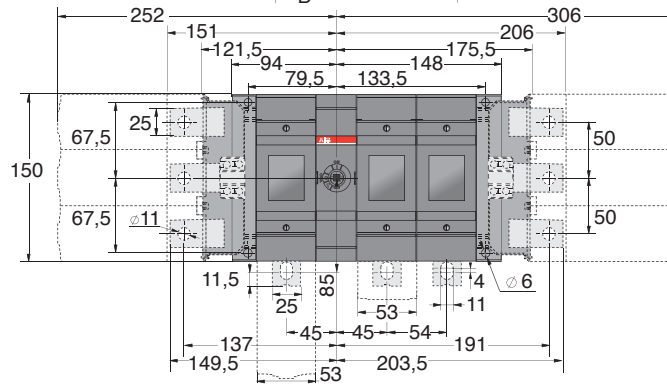
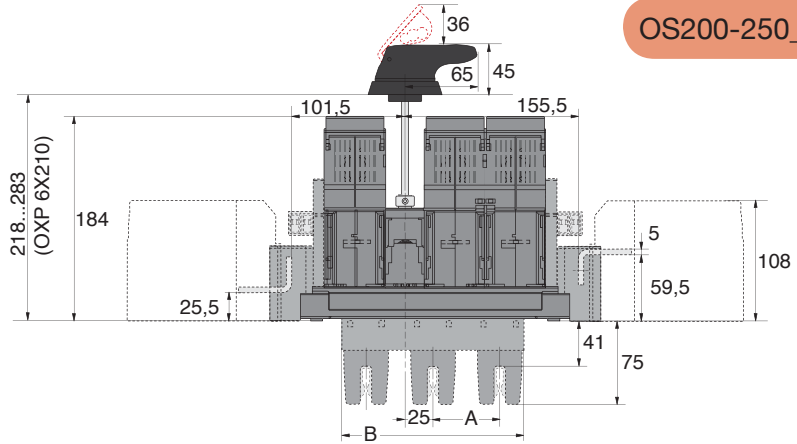
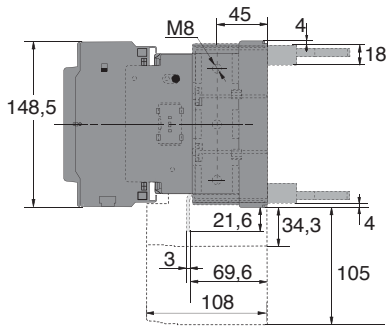
KA00037





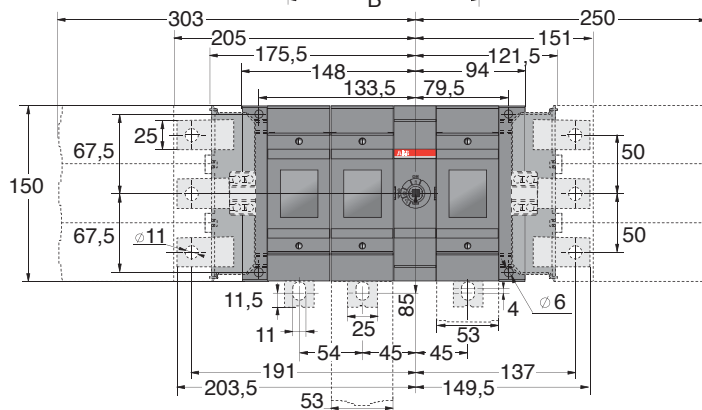
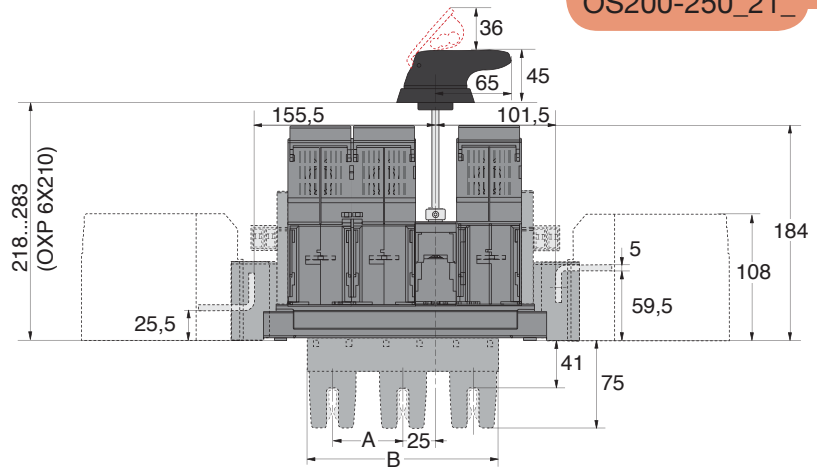
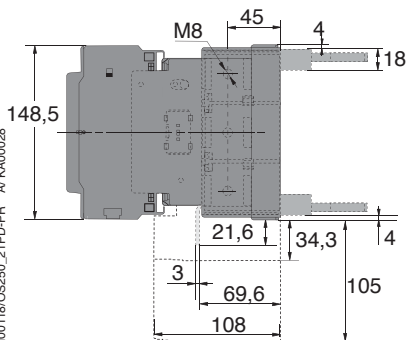
	A	B
OS200B12PD	60	164
OS200B12PD5	50	144
OS200B12PL	60	164
OS200B12PL5	50	144
OS200B12PR	60	164
OS200B12PR5	50	144
OS250B12PD	60	164
OS250B12PD5	50	144
OS250B12PL	60	164
OS250B12PL5	50	144
OS250B12PR	60	164
OS250B12PR5	50	144
OS250D12PD	60	164
OS250D12PD5	50	144
OS250D12PL	60	164
OS250D12PL5	50	144
OS250D12PR	60	164
OS250D12PR5	50	144

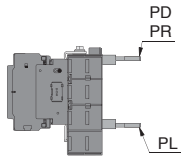
M00117/OS250\_12PD-PR A/KA00027



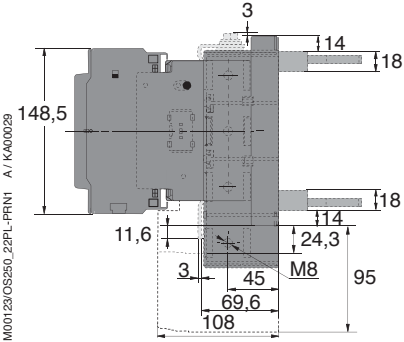
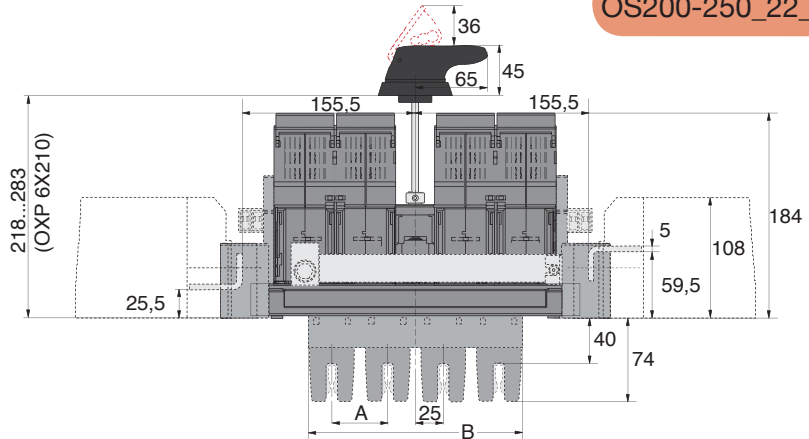
	A	B
OS200B21PD	60	164
OS200B21PD5	50	144
OS200B21PL	60	164
OS200B21PL5	50	144
OS200B21PR	60	164
OS200B21PR5	50	144
OS250B21PD	60	164
OS250B21PD5	50	144
OS250B21PL	60	164
OS250B21PL5	50	144
OS250B21PR	60	164
OS250B21PR5	50	144
OS250D21PD	60	164
OS250D21PD5	50	144
OS250D21PL	60	164
OS250D21PL5	50	144
OS250D21PR	60	164
OS250D21PR5	50	144

M00118/OS250\_21PD-PR A/KA00028

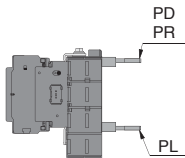
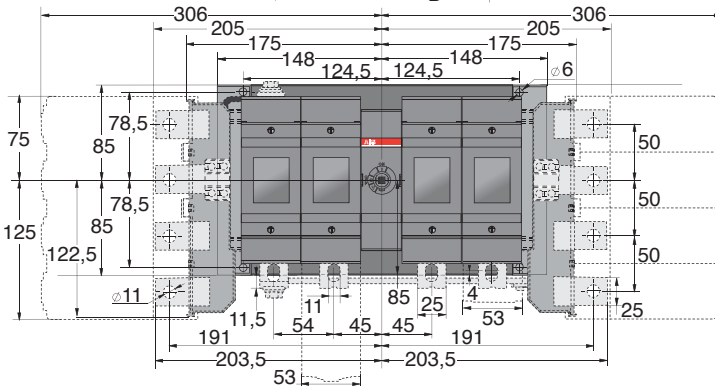




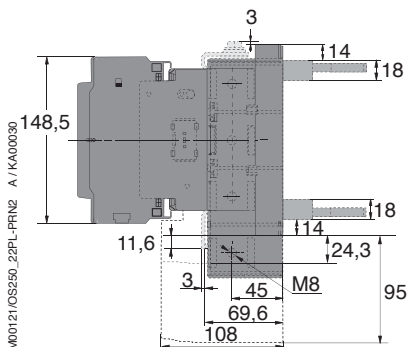
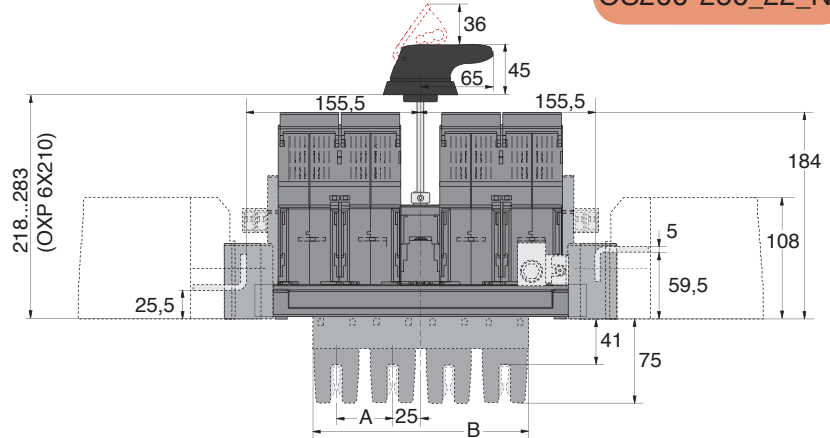
	A	B
OS200B22PD5N1	50	195
OS200B22PDN1	60	225
OS200B22PL5N1	50	195
OS200B22PLN1	60	225
OS200B22PR5N1	50	195
OS200B22PRN1	60	225
OS250B22PD5N1	50	195
OS250B22PDN1	60	225
OS250B22PL5N1	50	195
OS250B22PLN1	60	225
OS250B22PR5N1	50	195
OS250B22PRN1	60	225
OS250D22PD5N1	50	195
OS250D22PDN1	60	225
OS250D22PL5N1	50	195
OS250D22PLN1	60	225
OS250D22PR5N1	50	195
OS250D22PRN1	60	225



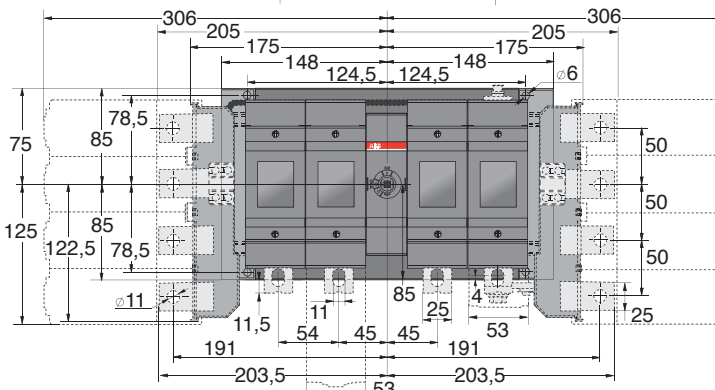
M00123/OS250\_22PL-FRN1 A / KA00029

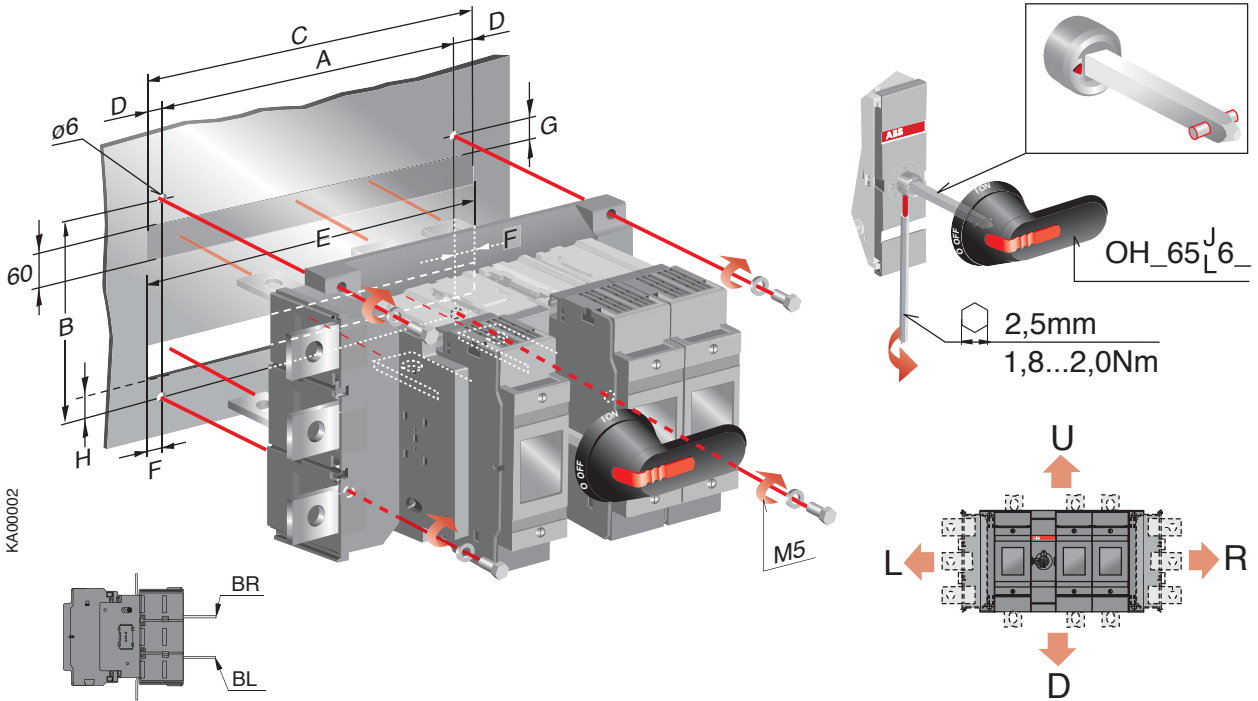


	A	B
OS200B22PD5N2	50	195
OS200B22PDN2	60	225
OS200B22PL5N2	50	195
OS200B22PLN2	60	225
OS200B22PR5N2	50	195
OS200B22PRN2	60	225
OS250B22PD5N2	50	195
OS250B22PDN2	60	225
OS250B22PL5N2	50	195
OS250B22PLN2	60	225
OS250B22PR5N2	50	195
OS250B22PRN2	60	225
OS250D22PD5N2	50	195
OS250D22PDN2	60	225
OS250D22PL5N2	50	195
OS250D22PLN2	60	225
OS250D22PR5N2	50	195
OS250D22PRN2	60	225



M00121/OS250\_22PL-FRN2 A / KA00030





3-pole		A	B	C	D	E	F	G	H
<b>OS200-250_12BL-LR</b>	<b>OS200-250_21BL-LR</b>								
OS200B12BL	OS200B21BL	213	135	-	-	221	4	-	7
OS250B12BL	OS250B21BL								
OS250D12BL	OS250D21BL								
OS200B12BR	OS200B21BR	213	135	221	4	-	-	7	-
OS250B12BR	OS250B21BR								
OS250D12BR	OS250D21BR								
OS200B12DL	OS200B21DL	213	135	-	-	-	-	-	-
OS250B12DL	OS250B21DL								
OS250D12DL	OS250D21DL								
OS200B12UR	OS200B21UR	213	135	-	-	-	-	-	-
OS250B12UR	OS250B21UR								
OS250D12UR	OS250D21UR								
OS200B12LR	OS200B21LR	213	135	-	-	-	-	-	-
OS250B12LR	OS250B21LR								
OS250D12LR	OS250D21LR								

4-pole		A	B	C	D	E	F	G	H
<b>OS200-250_22BL-BRN1</b>	<b>OS200-250_22BL-BRN2</b>								
OS200B22BLN1	OS315B22BLN2	249	157	-	-	275	13	-	18
OS250B22BLN1	OS400B22BLN2								
OS250D22BLN1	OS400D22BLN2								
OS200B22BRN1	OS315B22BRN2	249	157	275	13	-	-	18	-
OS250B22BRN1	OS400B22BRN2								
OS250D22BRN1	OS400D22BRN2								
OS200B22DLN1	OS315B22DLN2	249	157	-	-	-	-	-	-
OS250B22DLN1	OS400B22DLN2								
OS250D22DLN1	OS400D22DLN2								
OS200B22URN1	OS315B22URN2	249	157	-	-	-	-	-	-
OS250B22URN1	OS400B22URN2								
OS250D22URN1	OS400D22URN2								
OS315B22LR		249	157	-	-	-	-	-	-
OS400B22LR									
OS400D22LR									

OS200-250\_BL\_

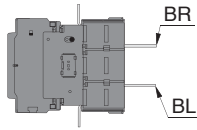
OS200-250\_BR\_

OS200-250\_DL\_

OS200-250\_LR\_

OS200-250\_UR\_

OS200-250\_12\_

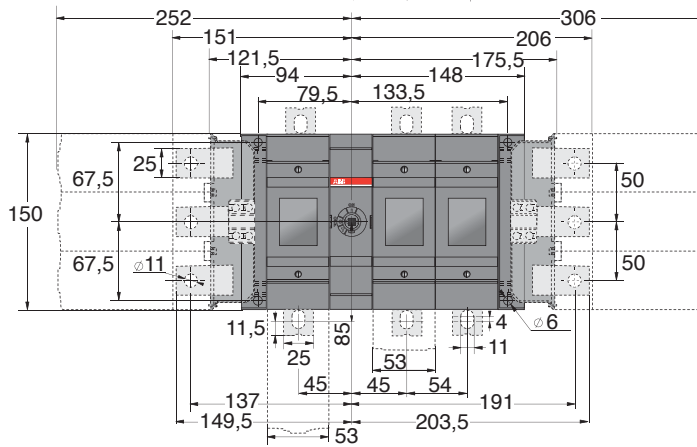
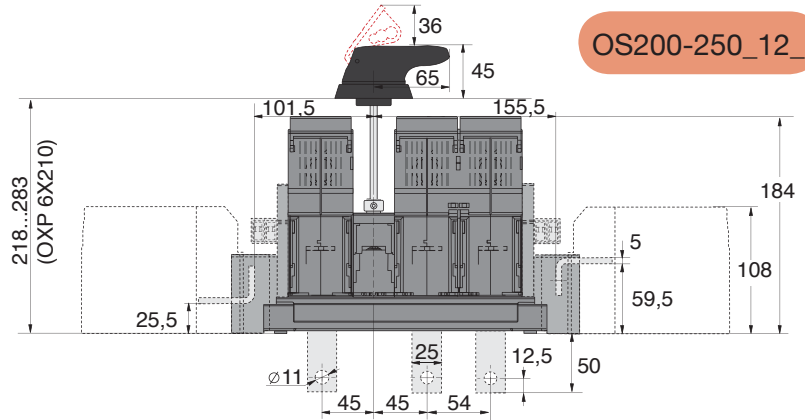
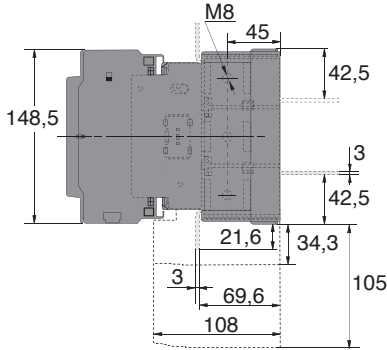


OS200B12BL  
OS200B12BR  
OS200B12DL  
OS200B12LR  
OS200B12UR

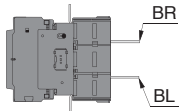
OS250B12BL  
OS250B12BR  
OS250B12DL  
OS250B12LR  
OS250B12UR

OS250D12BL  
OS250D12BR  
OS250D12DL  
OS250D12LR  
OS250D12UR

IM00120/OS250\_12BL-BR A / K400031



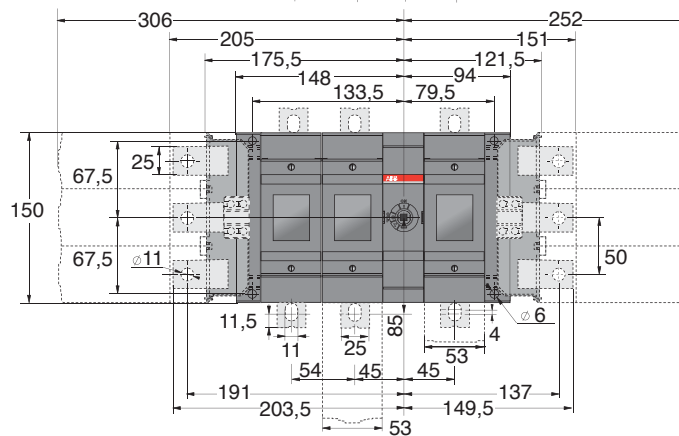
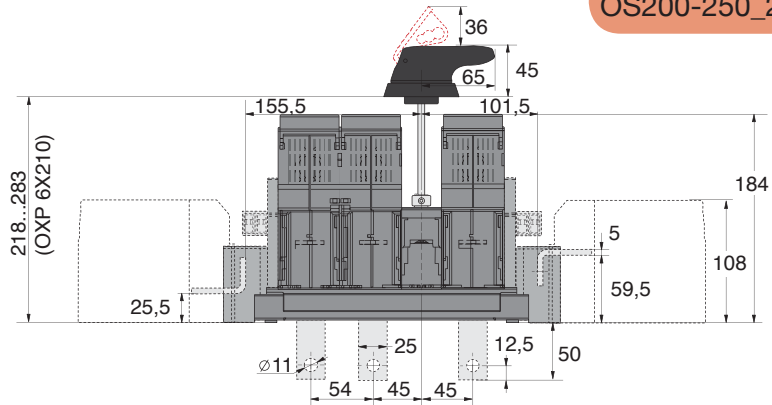
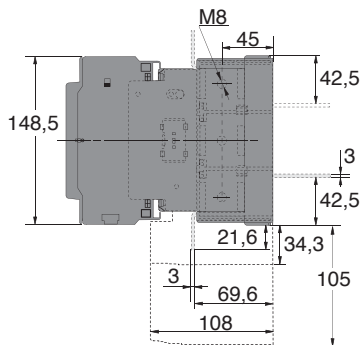
OS200-250\_21\_



OS200B21BL  
OS200B21BR  
OS200B21DL  
OS200B21LR  
OS200B21UR  
OS250B21BL  
OS250B21BR  
OS250B21DL  
OS250B21LR  
OS250B21UR

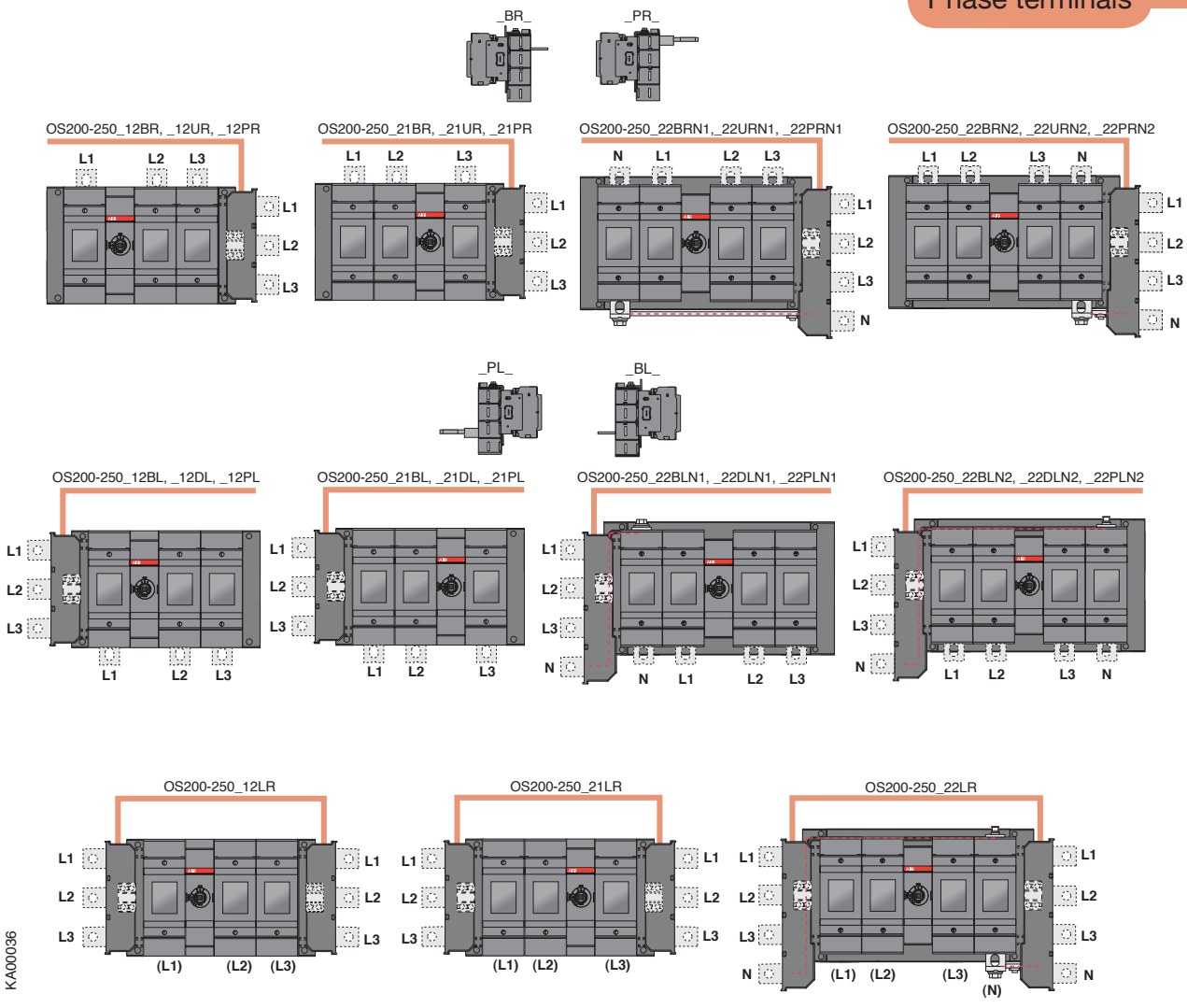
OS250D21BL  
OS250D21BR  
OS250D21DL  
OS250D21LR  
OS250D21UR

IM00119/OS250\_21BD-BR A / K400032

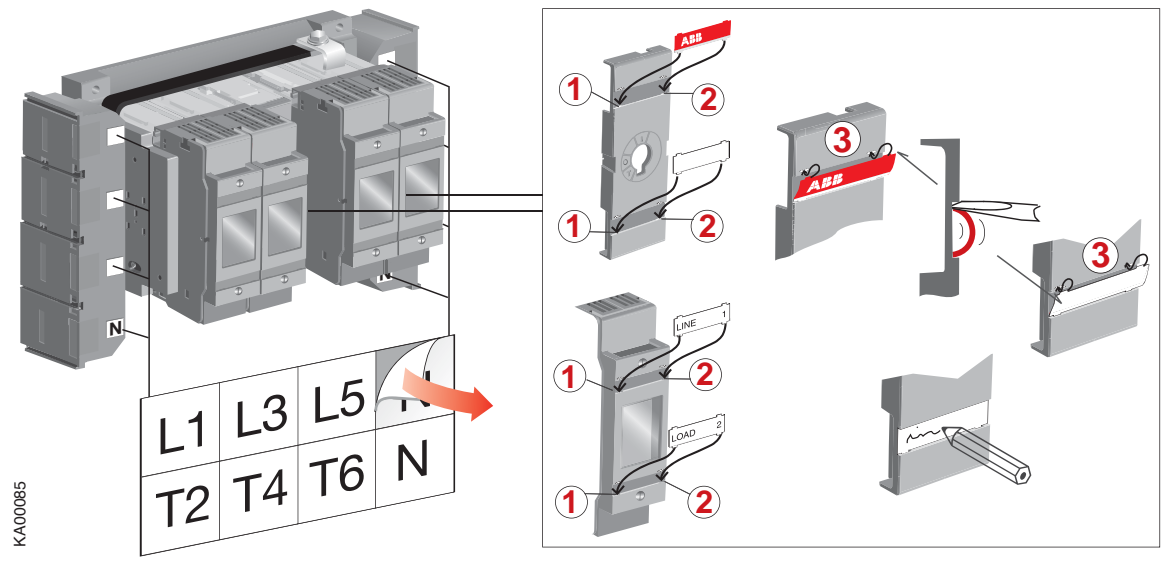


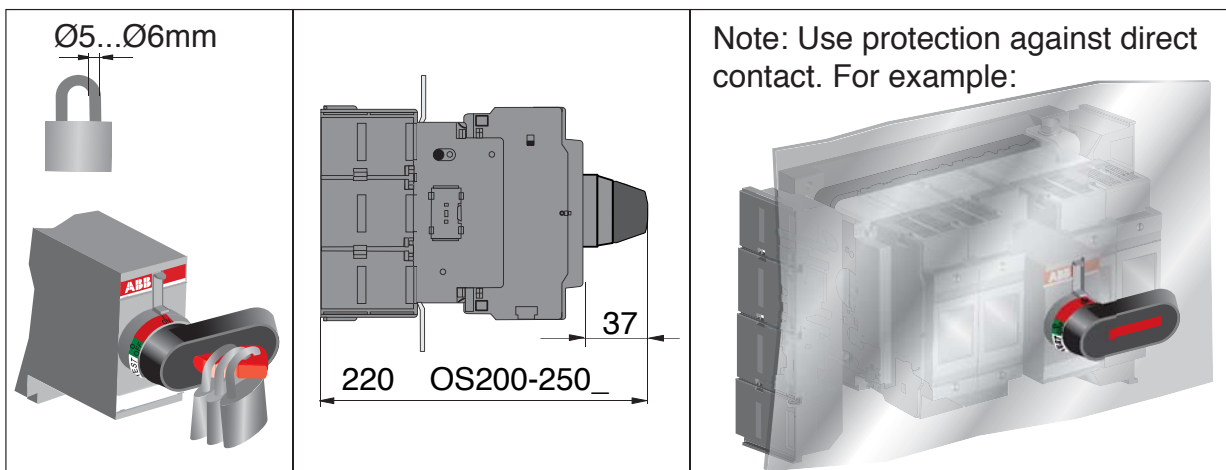
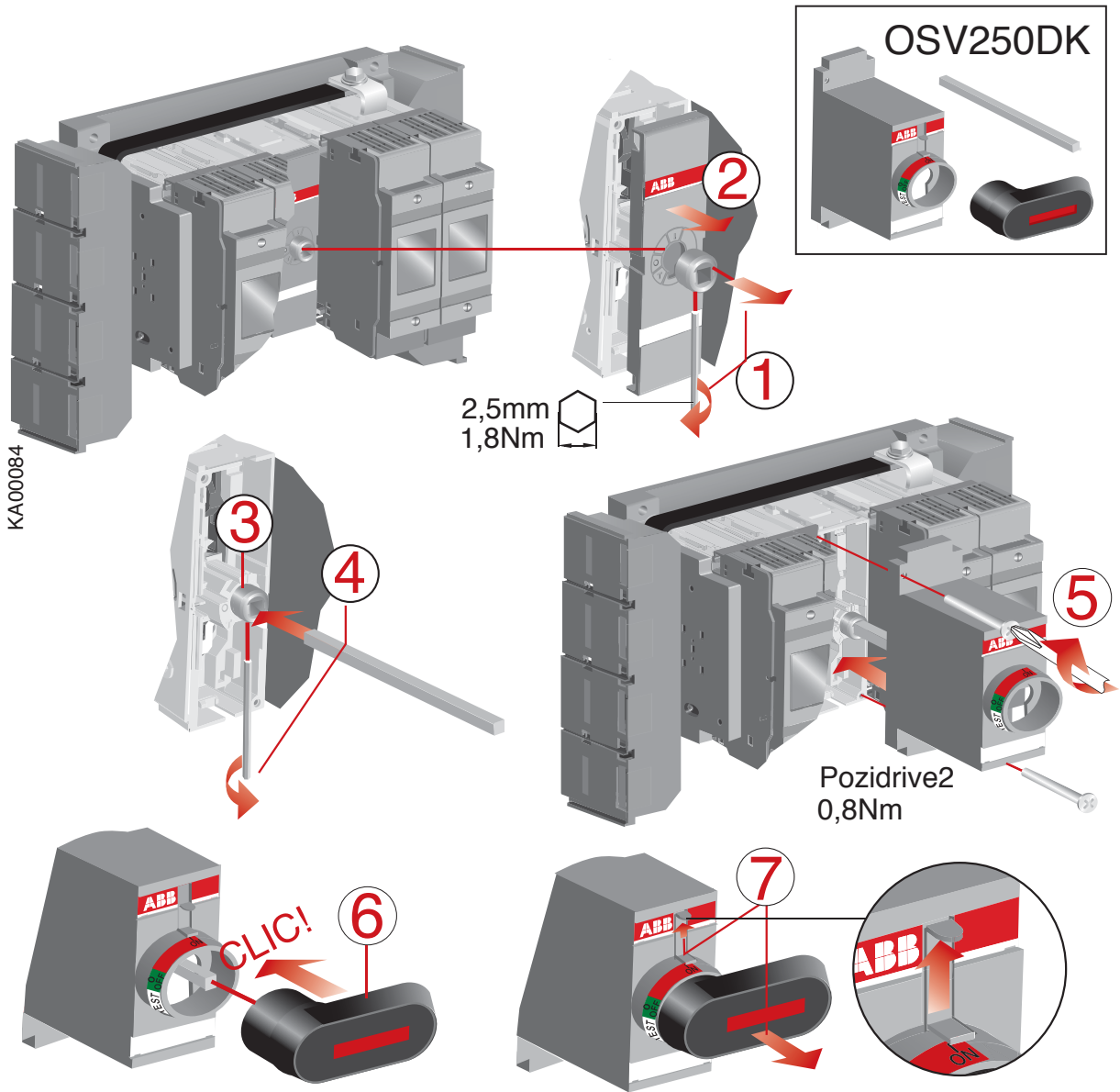


## Phase terminals

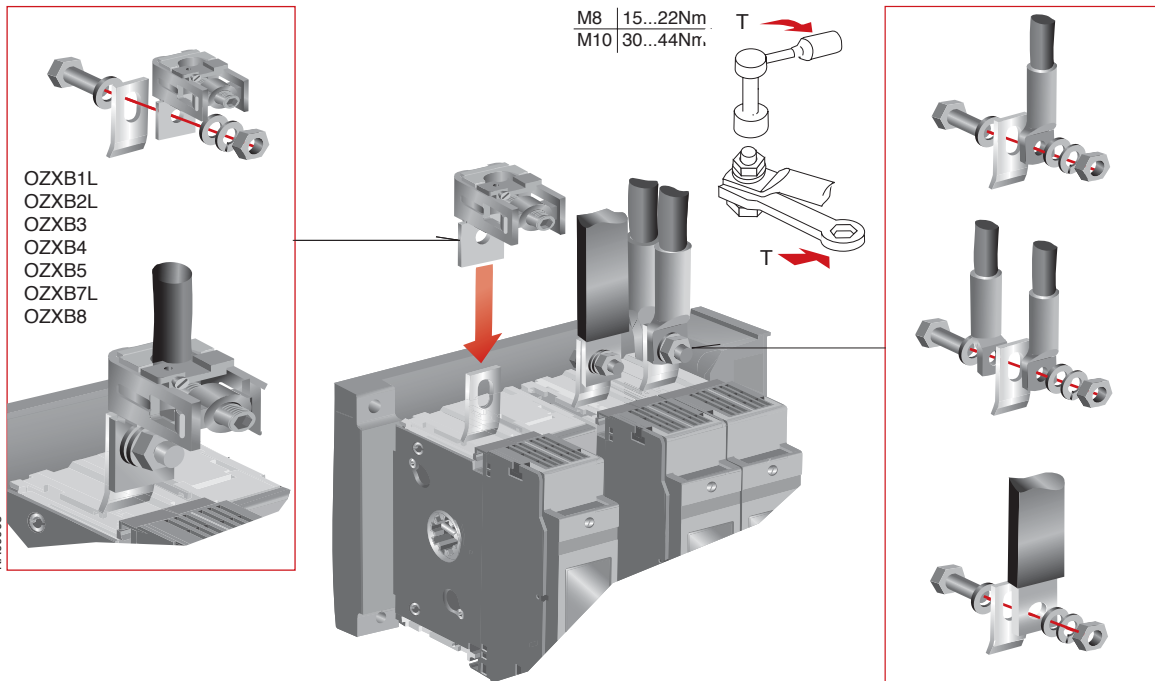


## Label



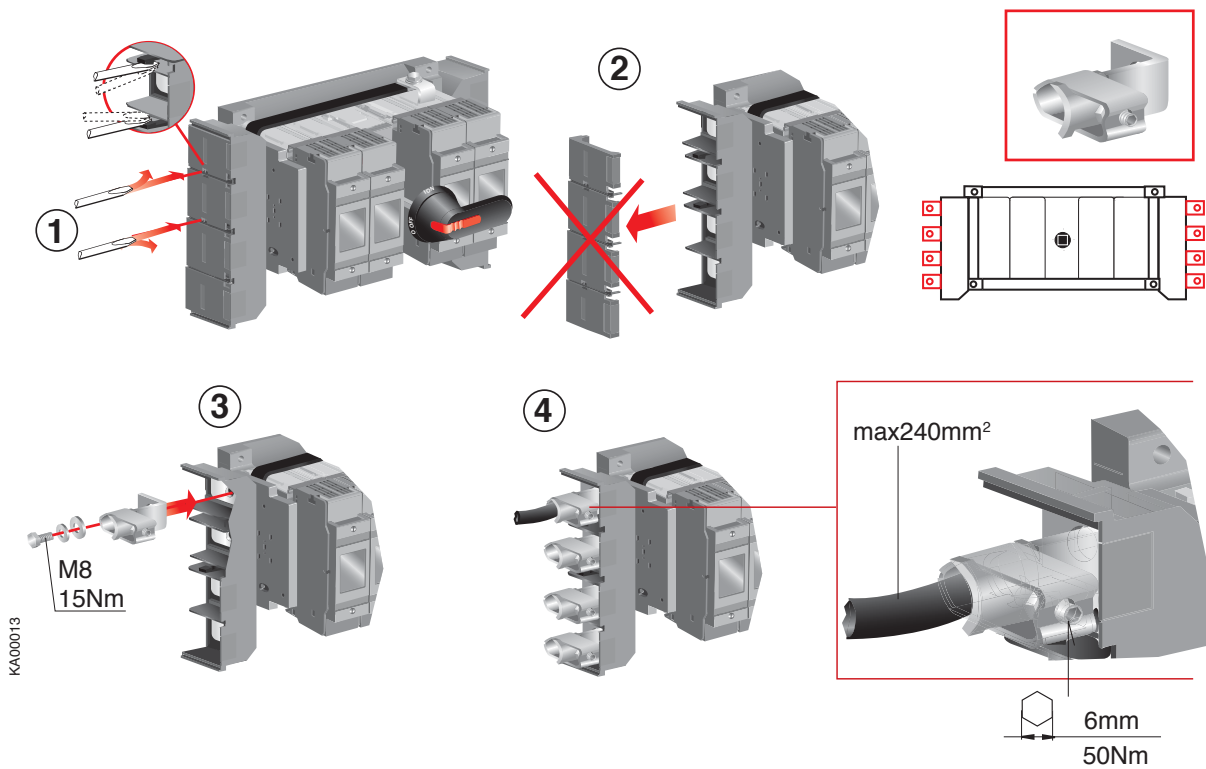


## Connections



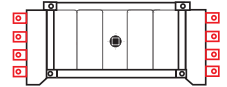
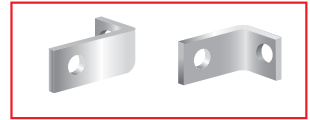
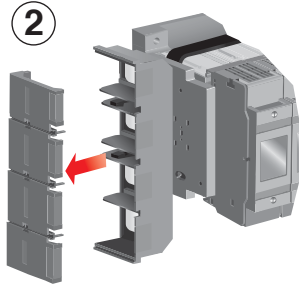
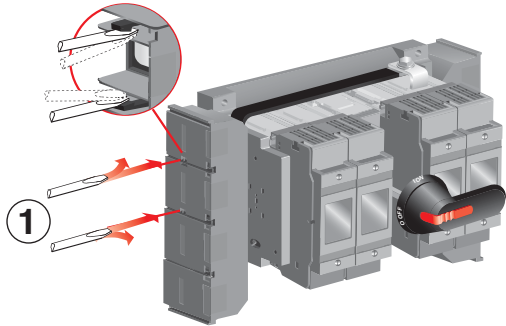
## Connections

### OZXB17



# Connections

## OEZXU14



M8  
15Nm

4a 90°

4b

5  
CLICK!

6

OZXB1L  
OZXB2L  
OZXB8  
OZXB9

OZXB3+OZXB3K  
OZXB4+OZXB4K  
OZXB5+OZXB4K  
OZXB7L+OZXB5K

M8 | 15...22Nm  
M10|30...44Nm

T

T'

OZXB1L  
OZXB2L  
OZXB3  
OZXB4  
OZXB5  
OZXB7L  
OZXB8

M8  
15Nm

4a 90°

4b

5  
CLICK!

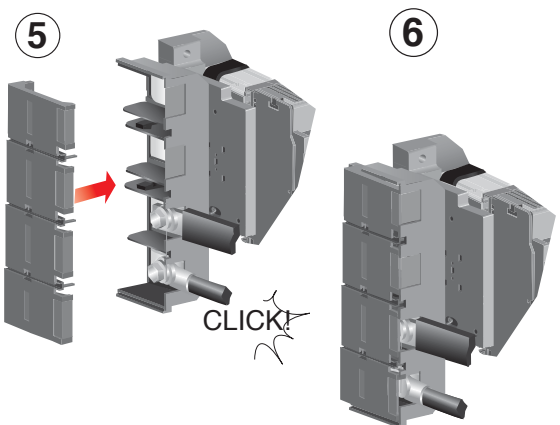
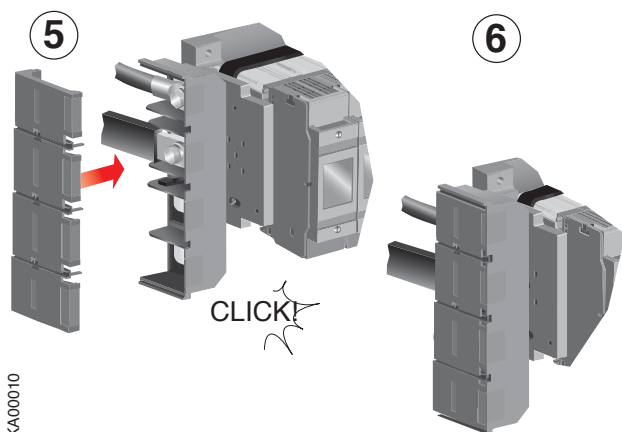
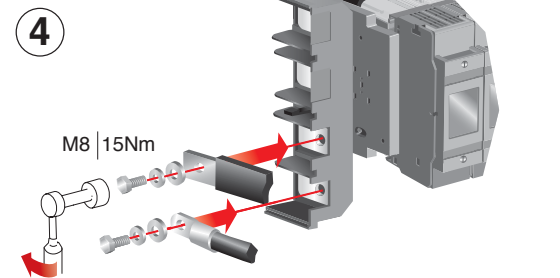
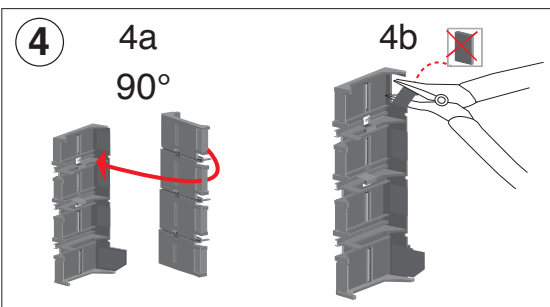
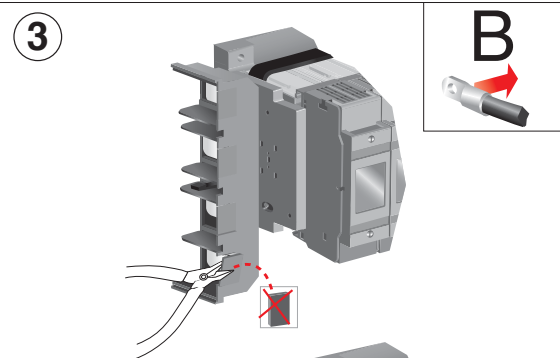
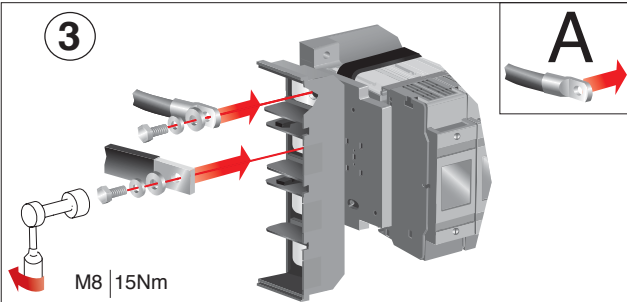
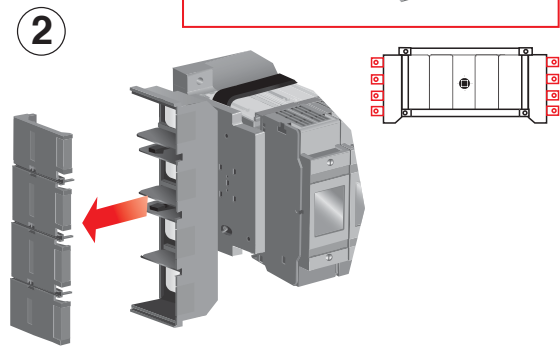
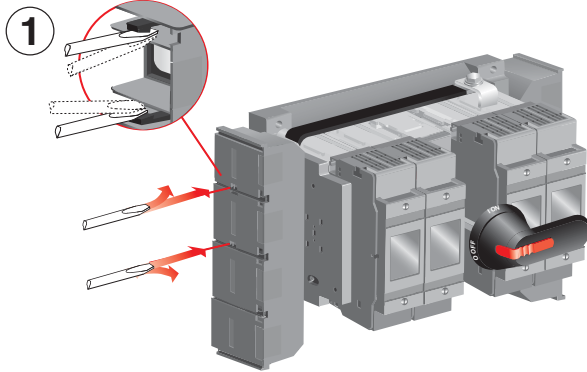
6

OZXB1L  
OZXB2L

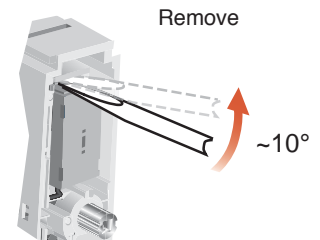
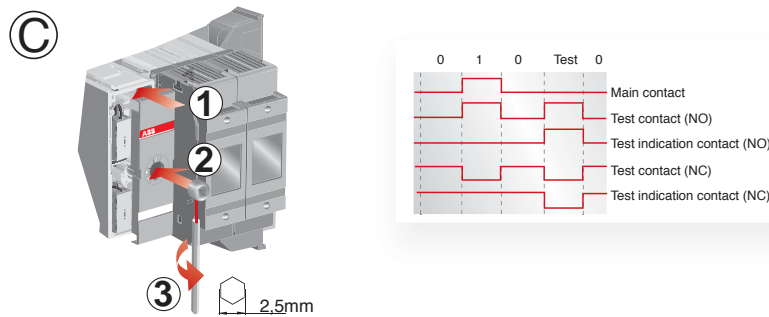
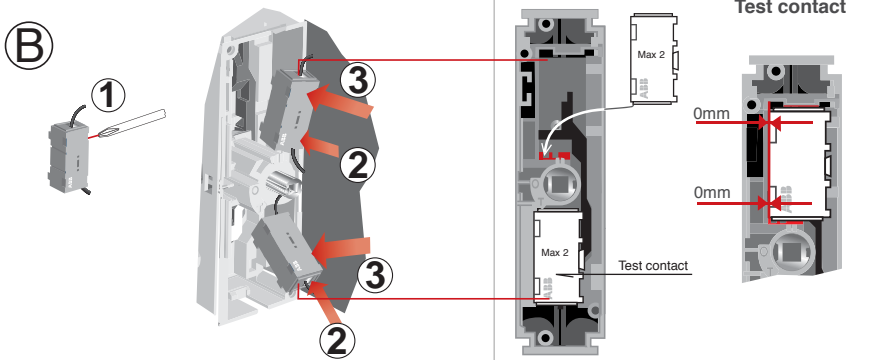
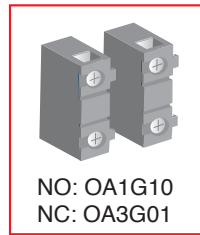
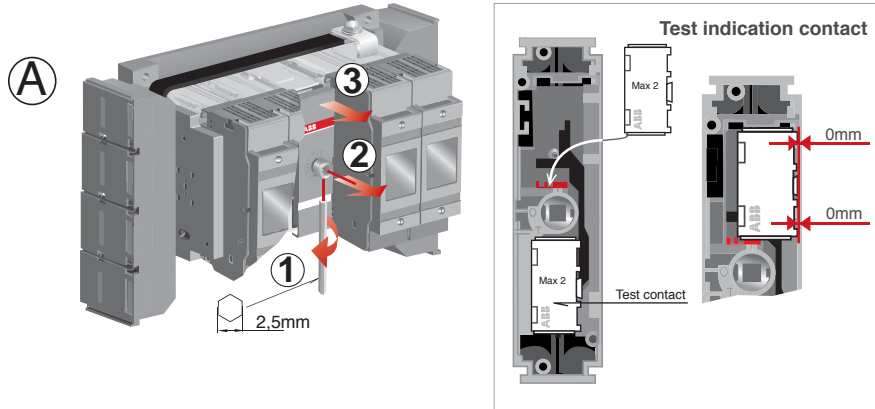
OZXB3+OZXB3K  
OZXB5+OZXB4K  
OZXB7L+OZXB5K

KA00005

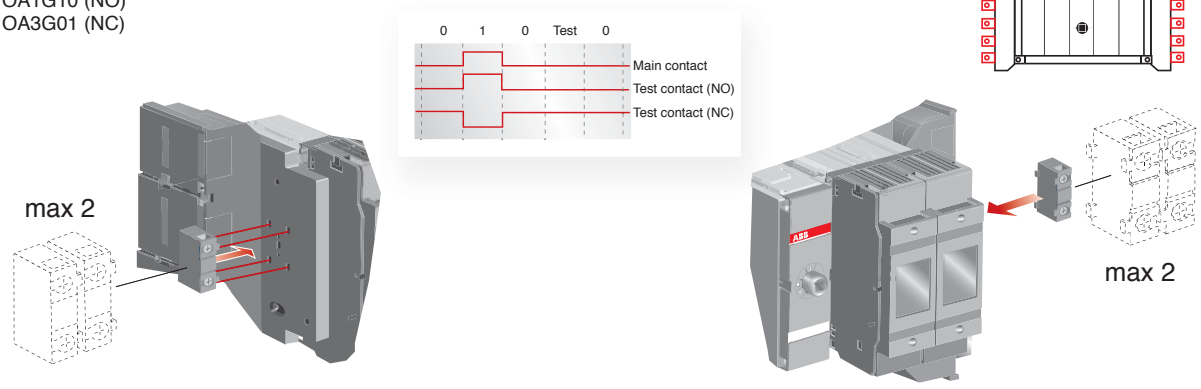
## Connections

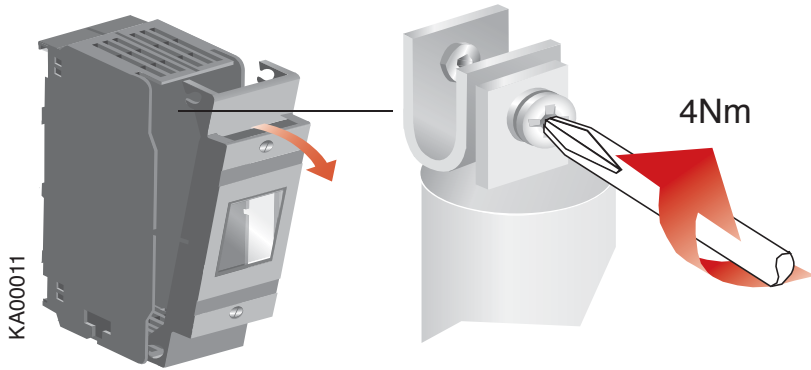


KA00010



OA1G10 (NO)  
OA3G01 (NC)

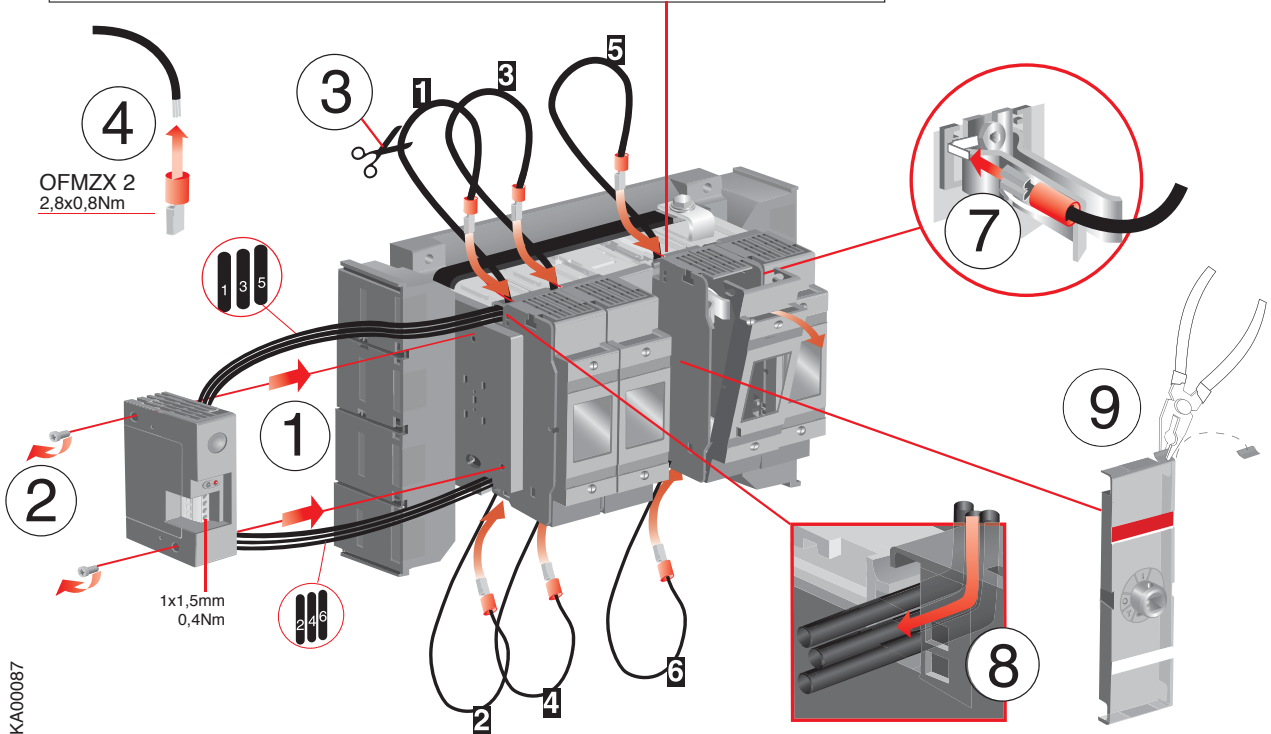
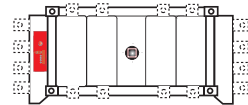
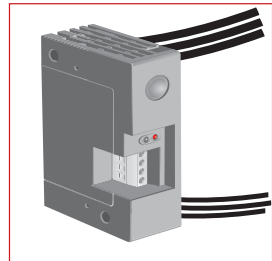
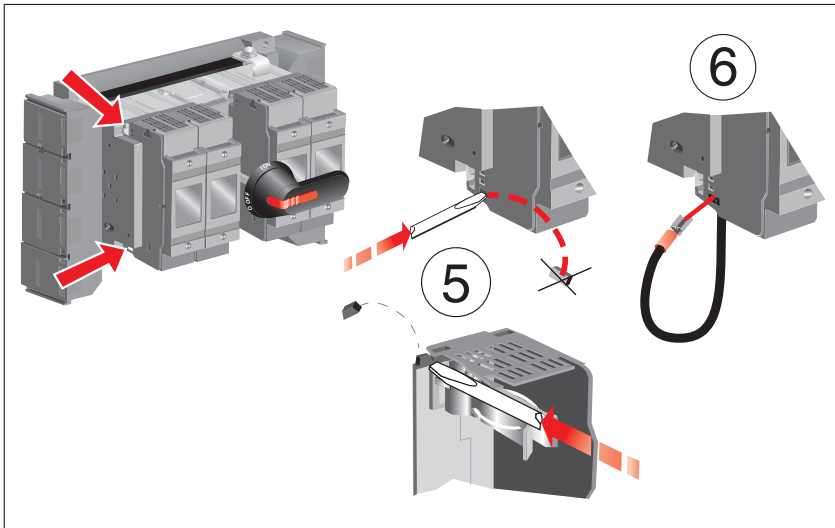




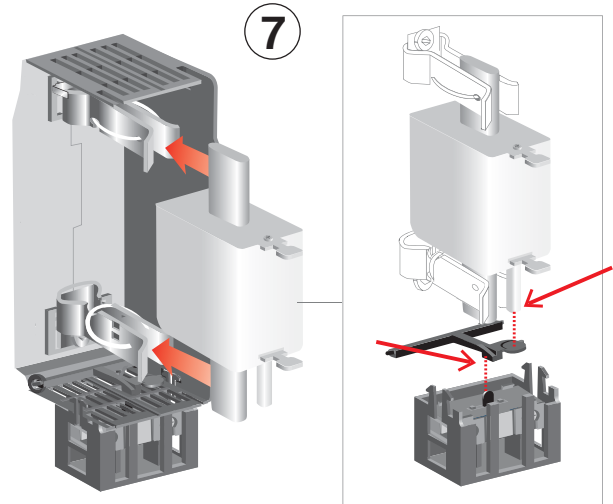
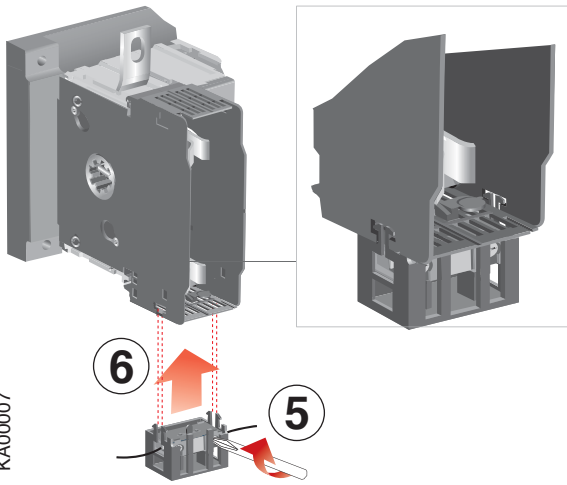
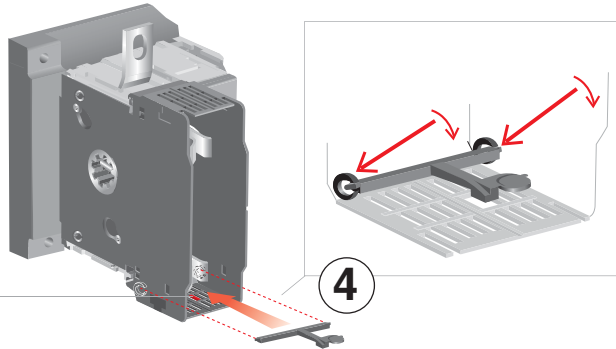
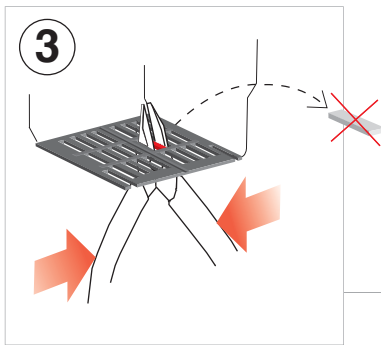
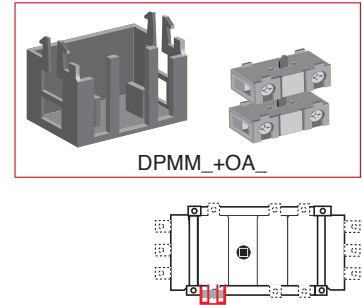
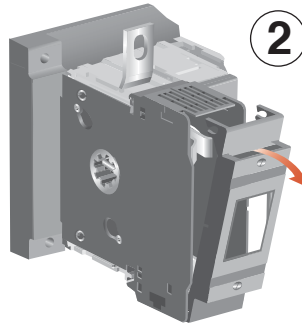
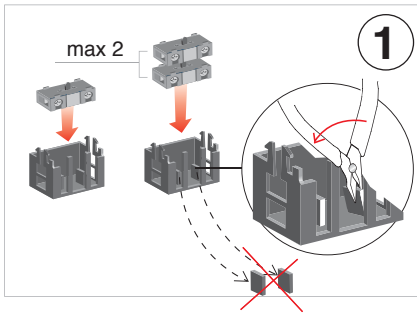
OS200-250B\_

BS type

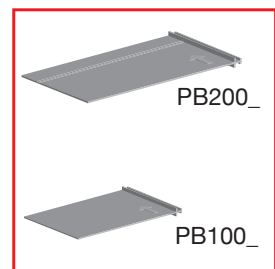
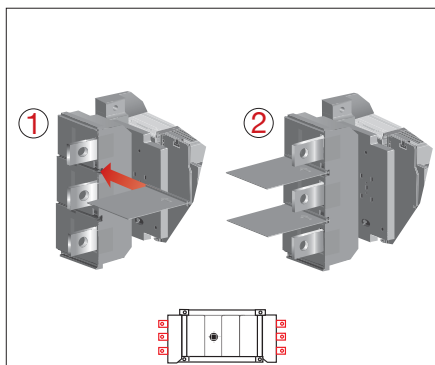
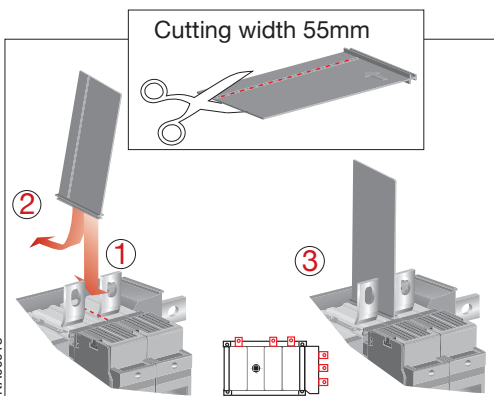
OFS\_

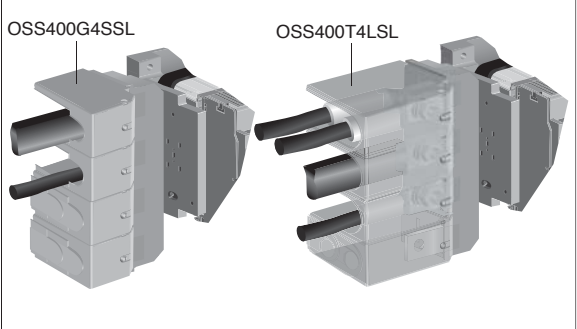
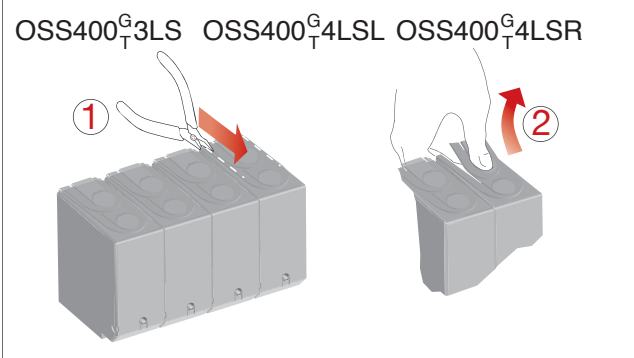
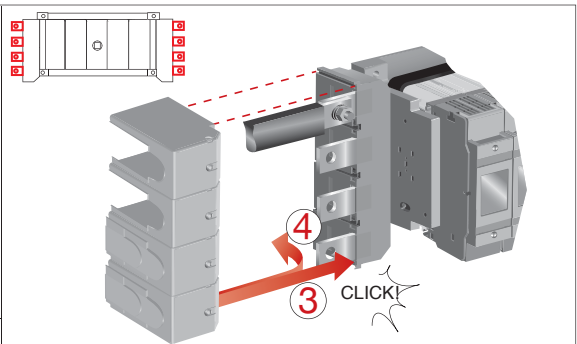
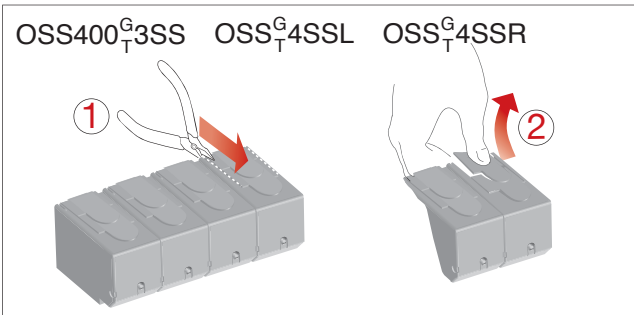
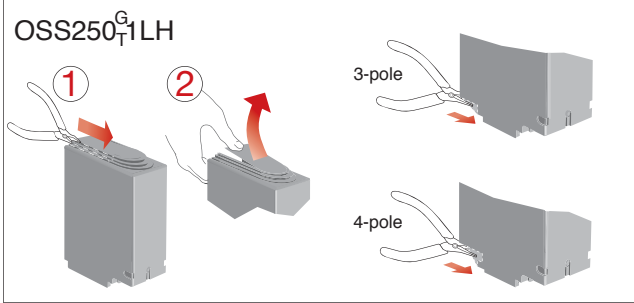
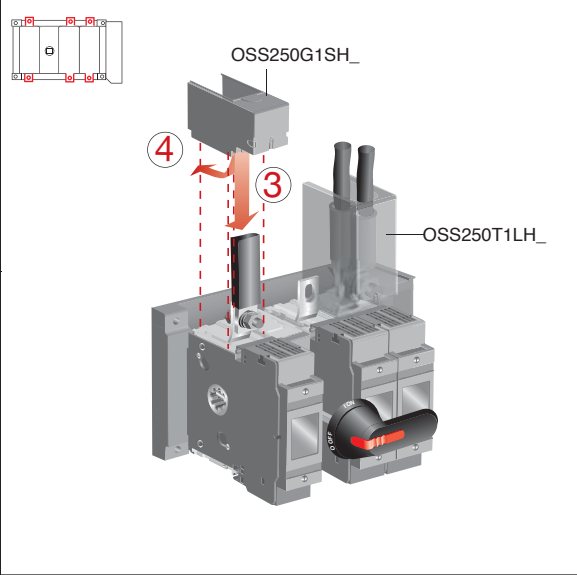
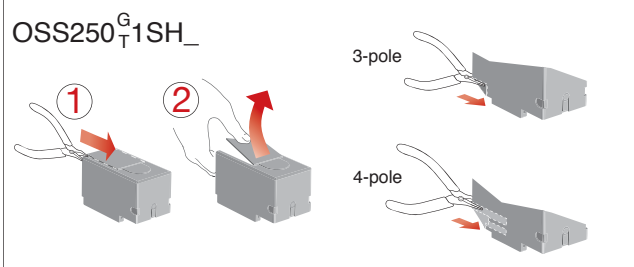
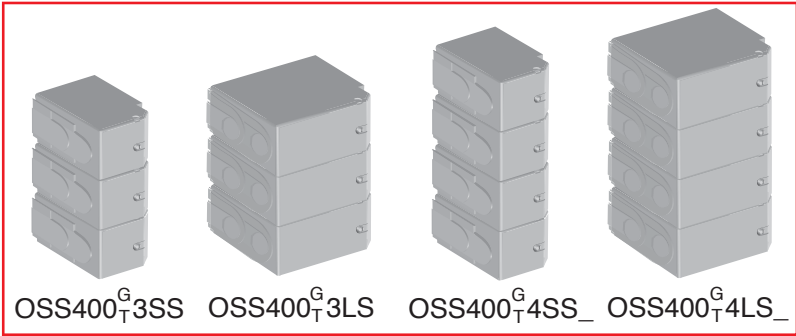
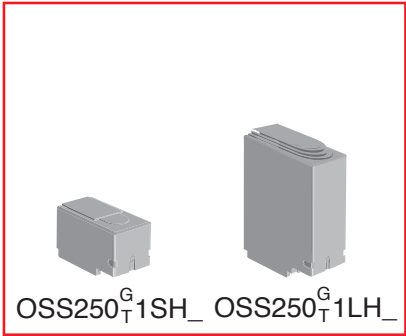


DPMM\_



Phase barriers





KA00088