

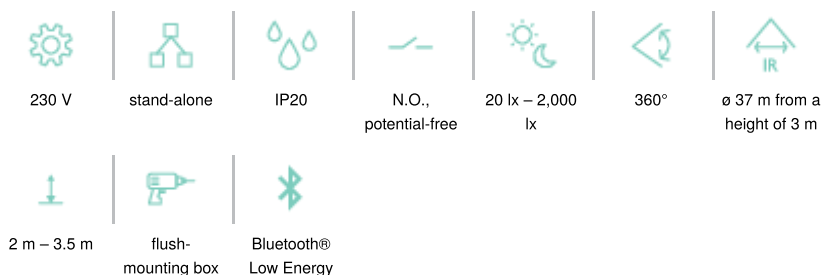
# Motion detector M42LR, 230 V, 32-37 m, for flush-mounting box, white

353-700111



4 year warranty

Bluetooth



This motion detector is a 1-channel, stand-alone detector with a large detection range for automatic lighting control. The detector is specially designed for mounting in a standard flush-mounting box (60 or 79 mm diagonal screw distance). The detector's settings can be modified using the Niko detector tool app and 2 way Bluetooth® communication between a smartphone and the detector.

Colour: white

Compatible secondary detectors:

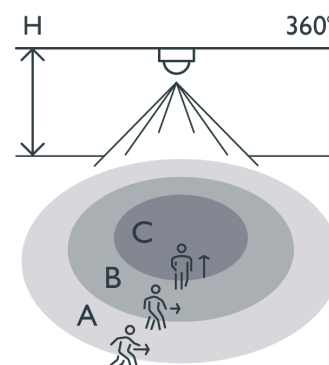
Compatible master detectors:

Compatible controls:

This article is protected by at least one patent (or patent application). For more info on patents, see [www.niko.eu/innovation](http://www.niko.eu/innovation).

- Easy mounting in a standard flush-mounting box (60 or 79 mm diagonal screw distance)
- Quick cabling using screwless and easily accessible plug-in terminals
- User-friendly app for commissioning (iOS/Android)
- 2-way Bluetooth® communication ensures quick modification of settings and live feedback in the app
- Fitted with three PIR segments, each covering 120°
- Pre-configured functions:
- Robust potential-free relay
- Automatic lighting control can be overridden with a 230 V push button - different options available
- Settings and configuration can be locked with a PIN code

## Detection range



H	A Walking	B Across	C Towards
2.5 m	ø 32 m	ø 28 m	ø 10 m
3.0 m	ø 37 m	ø 30 m	ø 8 m
3.5 m	ø 48 m	ø 42 m	ø 8 m

Measured according to EN/IEC63180

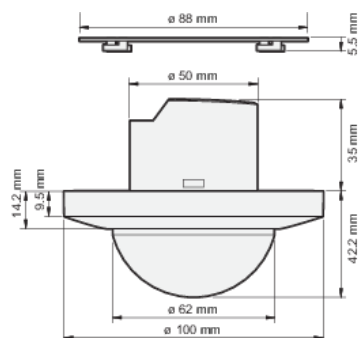


- Web based portal solution for back up and distribution of configuration files

## Technical features

Configuration	stand-alone
Input voltage	230 Vac
Detector output	230 V (ON/OFF)
Switch-off delay	pulse, 15 sec – 7,200 sec, $\infty$
Maximum power consumption	0.2 W
Maximum MCB rating	16 A (limited by national installation rules)
Detection angle	360 °
Detection range (PIR)	ø 37 m from a height of 3 m
Minimum ambient temperature	-25 °C
Maximum ambient temperature	+40 °C
Mounting method	flush-mounting box
Mounting height	2 m – 3.5 m
Colour	white
Colour RAL (approximately)	9010
Dimensions visible (HxWxD)	100 mm x 100 mm
Dimensions (HxWxD)	100 mm x 100 mm x 77.2 mm
Maximum range Bluetooth® (free field, depending on the device)	50 m
Operating frequency	2.4 GHz
Maximum radio frequency power	-2 dBm
Protection degree standalone	IP20
Impact resistance	IK04
Modification of settings	Niko detector tool app (iOS-Android) and 2-way Bluetooth® communication
Halogen-free	yes

## Dimensions



## Wiring diagram

