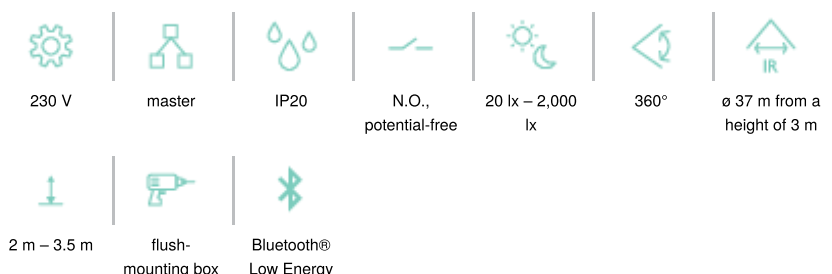


Presence detector P42LR, 230 V, master, 32-37 m, for flush-mounting box, white

353-700121



Bluetooth



This presence detector is a 1-channel master detector with a large detection range for automatic lighting control. The detector is fitted with multiple functions and can be controlled wirelessly by push buttons. The detector is specially designed for mounting in a standard flush-mounting box (60 or 79 mm diagonal screw distance). The detector's settings can be modified using the Niko detector tool app and 2 way Bluetooth® communication between a smartphone and the detector.

Colour: white

Compatible secondary detectors: 353-600021, 353-601021, 353-602021, 353-700021, 353-701021, 353-702021, 353-802011

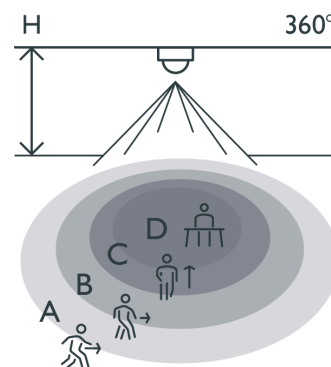
Compatible master detectors:

Compatible controls: 170-00005, 170-00015, 170-70015, 170-70005, 360-21001

This article is protected by at least one patent (or patent application). For more info on patents, see www.niko.eu/innovation.

- Easy mounting in a standard flush-mounting box (60 or 79 mm diagonal screw distance)
- Quick cabling using screwless and easily accessible plug-in terminals
- User-friendly app for commissioning (iOS/Android)
- 2-way Bluetooth® communication ensures quick modification of settings and live feedback in the app

Detection range



| H | A Walking | B Across | C Towards | D Presence |
|-------|--------------|-------------|--------------|---------------|
| 2.5 m | ø 32 m | ø 28 m | ø 10 m | ø 8 m |
| 3.0 m | ø 37 m | ø 30 m | ø 8 m | ø 5 m |
| 3.5 m | ø 48 m | ø 42 m | ø 8 m | ø 6 m |

Measured according to EN/IEC63180

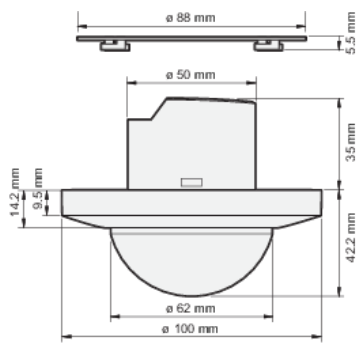


- Fitted with three PIR segments, each covering 120°
- Pre-configured functions:
- Detection range can be increased using up to 10 secondary detectors
- Wireless communication between master and secondary detectors with a repeater function
- Robust potential-free relay
- Automatic lighting control can be overridden with a 230 V push button - different options available
- Settings and configuration can be locked with a PIN code
- Web based portal solution for back up and distribution of configuration files

Technical features

| | |
|--|--|
| Compatible secondary detectors | 353-600021, 353-601021, 353-602021, 353-700021, 353-701021, 353-702021, 353-802011 |
| Compatible controls | 170-00005, 170-00015, 170-70015, 170-70005, 360-21001 |
| Configuration | master |
| Input voltage | 230 Vac |
| Detector output | 230 V (ON/OFF) |
| Switch-off delay | pulse, 15 sec – 7,200 sec, ∞ |
| Maximum power consumption | 0.2 W |
| Maximum MCB rating | 16 A (limited by national installation rules) |
| Detection angle | 360 ° |
| Detection range (PIR) | ∅ 37 m from a height of 3 m |
| Minimum ambient temperature | -25 °C |
| Maximum ambient temperature | +40 °C |
| Mounting method | flush-mounting box |
| Mounting height | 2 m – 3.5 m |
| Colour | white |
| Colour RAL (approximately) | 9010 |
| Dimensions visible (HxWxD) | 100 mm x 100 mm |
| Dimensions (HxWxD) | 100 mm x 100 mm x 77.2 mm |
| Maximum range Bluetooth® (free field, depending on the device) | 50 m |
| Operating frequency | 2.4 GHz |
| Maximum radio frequency power | -2 dBm |
| Protection degree standalone | IP20 |
| Impact resistance | IK04 |
| Modification of settings | Niko detector tool app (iOS-Android) and 2-way Bluetooth® communication |
| Halogen-free | yes |

Dimensions



Wiring diagram

