

Features

- Direct retrofit replacement for high-pressure mercury vapor lamps (HPMV)50,000 hours average rated lifetimeUp to 78% energy saving compared to the standard high-pressure mercury vapor lampsMercury-free solutionLower maintenance costHigh lumen efficacyDual operating mode – compatible with HPMV magnetic ballast and also, suitable for AC direct mains 120-240V operationHigh surge voltage protection: 4kVSuitable for both open and enclosed luminairesWide light distributionHigh switching cycles – 200,000XHigh colour rendering – CRI80Minimum and maximum operating temperature: -30°C to 50°C

Product Overview

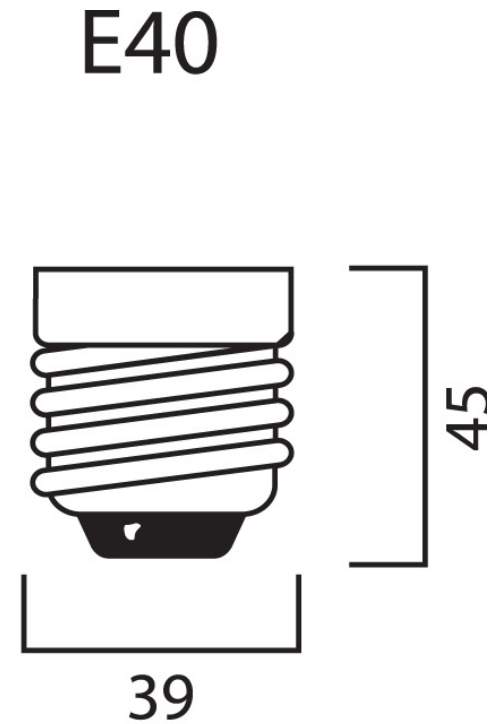
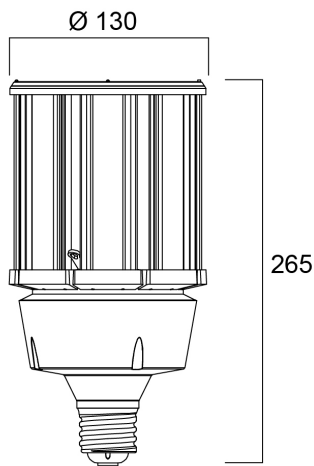
Product name	ToLEDo Performer T130 V2 13000LM 840 E40 SL
Technology	LED
Watt (Rated) (W)	100
Cap/Base	E40
Fixture rating	Open
General application	Logistics & Industry
ETIM Class	EC001959
Correlated colour temperature (k)	4000
Light colour	Cool White
CRI (Ra)	80
Colour Variation Initial (SDCM)	6
Photobiological Risk Group	RG1
Wattage (W)	100
Power consumption (W)	100
Dimmable	No
Average life (Nominal) (h)	50000
Product EAN number	5410288283807
Warranty	5 years

ToLEDo Performer T130 V2 13000LM 840 E40 SL 0028380

Useful luminous flux (#use)

13000

Technical drawings



Data table

GENERAL DATA

Product name	ToLEDo Performer T130 V2 13000LM 840 E40 SL
Technology	LED
Watt (Rated) (W)	100
Cap/Base	E40
Fixture rating	Open
General application	Logistics & Industry
Operating temperature range (°C)	-20°C...+50°C
Performance ambient temperature Tq (°C)	25

ToLEDo Performer T130 V2 13000LM 840 E40 SL 0028380

ETIM Class	EC001959
Warranty	5 years

OPTICAL DATA

Useful luminous flux (#use)	13000
Luminous flux (Rated) (lm)	13000
Correlated colour temperature (k)	4000
Light colour	Cool White
CRI (Ra)	80
Colour Variation Initial (SDCM)	6
Photobiological Risk Group	RG1
Lumen maintenance at end of nominal life (%)	70

ELECTRICAL DATA

Power consumption (W)	100
Wattage (W)	100
Starting time (max) (s)	0.5
Warm-up time to 60% of full light (max) (s)	0.5
Primary Supply/Product voltage - min (V)	220
Primary Supply/Product voltage - max (V)	240
Lamp power factor	0.95
Control gear required	No
No. Of switching cycles before premature failures	>200000
Dimmable	No
Inrush Current (A)	79.2
Inrush Duration (µs)	3
Lamp Energy Label (class)	E
Nominal Frequency (Hz)	50/60Hz
Max. products per 10A C Breaker	9
Max. products per 16A C Breaker	14
Max. products per 20A C Breaker	18

LIFETIME DATA

Lifespan L70 B50	50000
Average life (Nominal) (h)	50000
Average life (Rated) (h)	50000

PHYSICAL DATA

Nominal Product Length (mm)	265
Nominal Product Diameter (mm)	130
Weight (kg)	1.49

PACKAGING

Product EAN number	5410288283807
Packaging single length / height (cm)	14.0
Packaging single width (cm)	14.0
Packaging single depth (cm)	30.5
DUN14 (inner)	15410288283804
Units per outer package	4
Packaging outer length / height (cm)	30.8
Packaging outer width (cm)	30.6
Packaging outer depth (cm)	32.2

SAFETY DATA

Optimal operating condition (°C)	-20-50
Breakage cleaning instructions	Not applicable
Special purpose lamp	No
Dry applications use only	No
Suitable for household illumination	Yes
Safety message	Not Suitable for totally enclosed fixtures

SYLVANIA

ToLEDo Performer T130 V2 13000LM 840 E40 SL
0028380

Energy label



0028380



100
kWh/1000h



2019/2015



0028380



100
kWh/1000h



2019/2015