

**MEM Wall-mounted basin mixer without pop-up waste - Brushed Platinum**

MEM

36 717 782 Product version from 3/10/2014 to 10/27/2020



- 240mm projection
- fixed spout
- rectangular, air-enriched flow
- hole diameter valve 35 mm
- hole diameter spout 35 mm
- individual rosette 60 x 60 mm
- max. flow 5.7 l/min
- lead-free
- This product can help a building meet the requirements of Green Building Rating Systems, e.g. LEED®, BREEAM®, DGNB
- WRAS

	Brushed Platinum	36 717 782-06
	Chrome	36 717 782-00
	Platinum	36 717 782-08
	Dark Chrome	36 717 782-19
	Brushed Light Gold (PVD)	36 717 782-27
	Brushed Durabrass (23kt Gold)	36 717 782-28
	Brushed Gold (PVD)	36 717 782-37
	Brushed Dark Brass (PVD)	36 717 782-39
	Brushed Bronze (PVD)	36 717 782-42
	Brushed Dark Bronze (PVD)	36 717 782-43
	Brushed Champagne (22kt Gold)	36 717 782-46
	Champagne (22kt Gold)	36 717 782-47
	Brushed Dark Platinum	36 717 782-99

**Required miscellaneous**



- Concealed wall-mounted mixer centred spout -** 35 700 970 90
- min. recess depth 110 mm
  - max. recess depth 150 mm

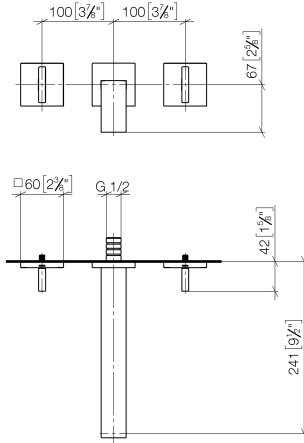
**Required miscellaneous**



- Concealed wall-mounted mixer variable positioning -** 35 720 970 90
- min. recess depth 110 mm
  - max. recess depth 150 mm

36 717 782 Product version from 3/10/2014 to 10/27/2020

mm [inches]



**Flow rate chart**



**Codes & Standards**

DIN 4109

EN 200

ISO 3822

Scottish Water  
Byelaws

UK Water Supply  
Regulations

Ü-Zeichen

VA-Zeichen



## MEM Wall-mounted basin mixer without pop-up waste - Brushed Platinum

MEM

36 717 782 Product version from 3/10/2014 to 10/27/2020

### Certificates and sustainability

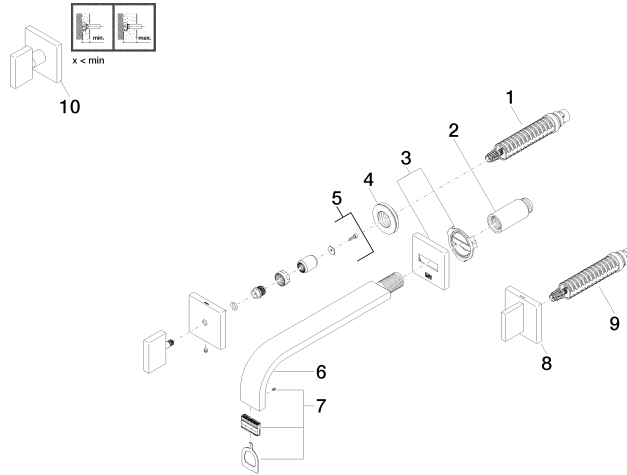
LGA\_18

ETA\_19

WRAS\_2204

EPD-DOR-20230287  
-IBA1-EN  
Environmental.prod  
uct-declarat

36 717 782 Product version from 3/10/2014 to 10/27/2020



**Spare parts list**

No.	Item Number	Name	Quantity used	Delivery time
5	90 20 78 002 07-06	Handle for wall valve Hot 60 x 75 x 60 mm - Brushed Platinum	1.00	20
1	90 90 03 156 00 90	Head part anti-clockwise closing 1/2" -	1.00	14
2	09 24 03 081 10 90	Extension 1/2" x 50 mm -	1.00	14
7	90 29 03 109 00 90	Aerator insert 5,7 l/min. -	1.00	14
6	04 28 22 148 10-06	Spout 240 x 35 x 11 mm - Brushed Platinum	1.00	20
3	90 27 78 035 00-06	Cover 60 x 60 x 9 mm - Brushed Platinum	1.00	20
8	90 20 78 002 06-06	Handle for wall valve Cold 60 x 75 x 60 mm - Brushed Platinum	1.00	20
4	09 21 02 108 90	Sleeve Ø 43,1 x 13 mm -	2.00	-
Spare part can no longer be ordered, please order the replacement item				
	9021021080090	Wall disc complete -		
10	90 20 78 002 01-06	Handle 60 x 60 x 55 mm - Brushed Platinum	1.00	20
9	90 90 03 157 00 90	Head part clockwise closing 1/2" -	1.00	14