

33 865 895 Product version from 5/20/2021



- 200mm projection
- Flexible silicone hose with large operating range of up to 350 mm
- pivotable spout 360°
- Optional swivel limiter available with swivel limiter set 12 821 970 90
- This product can help a building meet the requirements of Green Building Rating Systems, e.g. LEED®, BREEAM®, DGNB
- air-enriched flow and spray flow
- height of mixer 451 mm
- height up to aerator 119 mm
- hole diameter 35 mm
- sprayface with anti-scaling system
- max. flow 9.5 l/min at 3 bar flow pressure
- lead-free

Intrinsic protection against back flow.

	Platinum	33 865 895-08
	Chrome	33 865 895-00
	Brushed Platinum	33 865 895-06
	Dark Chrome	33 865 895-19
	Brushed Durabrass (23kt Gold)	33 865 895-28
	Matte Black	33 865 895-33
	Brushed Dark Brass (PVD)	33 865 895-39
	Brushed Bronze (PVD)	33 865 895-42
	Brushed Dark Bronze (PVD)	33 865 895-43
	Brushed Champagne (22kt Gold)	33 865 895-46
	Champagne (22kt Gold)	33 865 895-47
	Brushed Chrome	33 865 895-93
	Brushed Dark Platinum	33 865 895-99

**Recommended miscellaneous**

**Swivel limitation set -** 12 821 970 90



**Recommended miscellaneous**

**Strainer waste with control handle - Platinum** 10 712 970-08

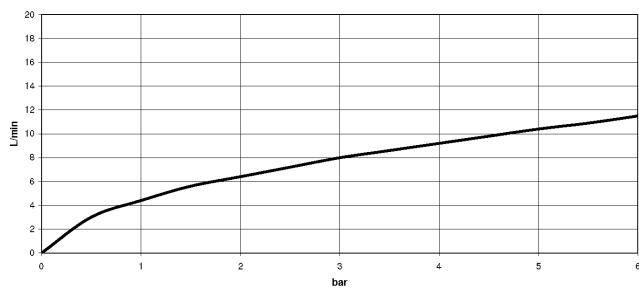


**Recommended miscellaneous**

**Dispenser without rosette - Platinum** 82 424 970-08



Flow rate chart



Codes & Standards

DIN 4109

EN 1717

ISO 3822

Ü-Zeichen



## SYNC Profi single-lever mixer - Platinum

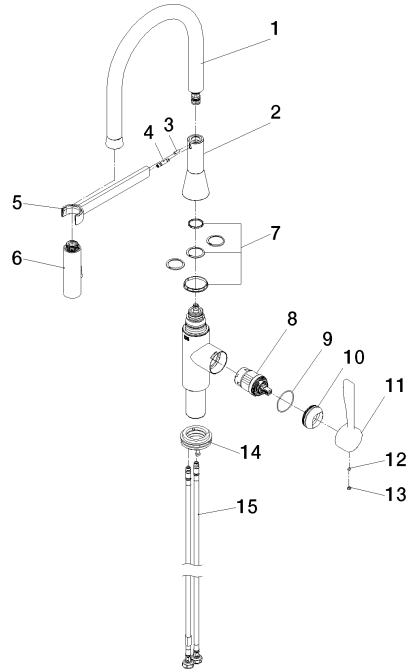
SYNC

33 865 895 Product version from 5/20/2021

### Certificates and sustainability

Belgaqua\_21-027-2 LGA\_29

EPD-DOR-20230287 Belgaqua\_25-340-2  
-IBA1-EN  
Environmental.prod  
uct-declarat



### Spare parts list

No.	Item Number	Name	Quantity used	Delivery time
1	90 30 02 100 00-08	Tube for flexible spout Complete set Ø 40 x 495 mm - Platinum	1.00	54
8	90 15 05 064 05 90	Single-lever mixer cartridge with adapter plate Sleeve nut Ø 35 mm x 58,6 mm -	1.00	-
Spare part can no longer be ordered, please order the replacement item				
	9015050460590	Single-lever mixer cartridge insert 45° with fastening nut and adapter key , torque wrench Ø 35 mm x 58,6 mm -		
5	90 17 20 045 00-08	Holder Spray arm 150 x 225 x 90 mm - Platinum	1.00	54
11	09 20 89 020-08	Handle Lever 142 x 44,50 x 23 mm - Platinum	1.00	54
10	09 28 30 030-08	Cover Ø 42 x 17 mm - Platinum	1.00	54
13	90 31 20 087 00-08	Plug with O-ring Ø 7 x 2,1 mm - Platinum	1.00	54
6	04 12 11 150 00 90	Rinsing spray 42 x 108 x 38 mm -	1.00	14
14	04 30 11 040 00 90	Mounting for sink unit deck mounting with spacer M34 x 1 -	1.00	14
3	09 31 11 040 90	Straight pin Ø 6 x12 mm -	1.00	14
9	09 14 10 190 90	O-Ring EPDM 70 38,0 x 1,5 mm -	1.00	14
12	90 31 11 063 00 90	Mounting Threaded pin with hexagon socket with cup point M5 x 4 mm -	1.00	14
2	90 17 97 063 00-08	base	1.00	54
15	04 30 04 101 00 90	High pressure hose M8x1 x 3/8" x 600 mm -	2.00	14
7	12 821 970 90	Swivel limitation set -	1.00	14
4	09 31 11 209 90	Mounting Threaded pin with shaft Ø 6 x 28 mm -	1.00	14