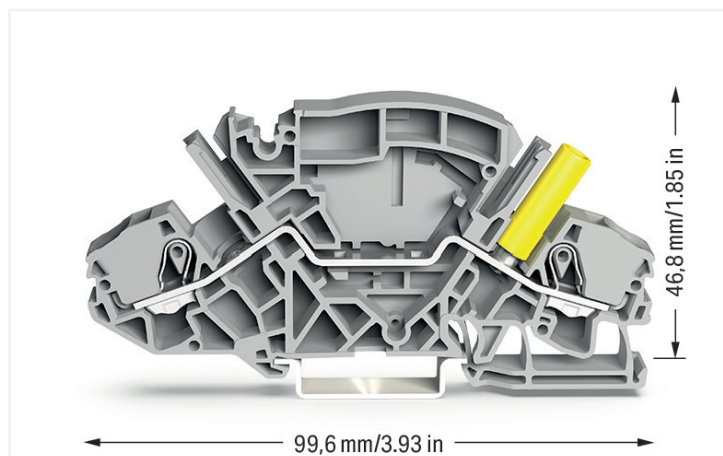


## Data Sheet | Item Number: 2007-8801/041-000

2-conductor through terminal block; 6 mm<sup>2</sup>; with touch-proof test socket; for 4 mm Ø test plugs; side and center marking; for DIN-rail 35 x 15 and 35 x 7.5; Push-in CAGE CLAMP®; 6,00 mm<sup>2</sup>; gray

<https://www.wago.com/2007-8801/041-000>



Color: ■ gray

Through terminal block, 2007 Series, gray

Quick and easy connections are guaranteed with this through terminal block (item number 2007-8801/041-000). Strip lengths must be between 13 and 15 mm when connecting conductors to this through terminal block. This product features conductor terminals and utilizes Push-in CAGE CLAMP®. Our Push-in CAGE CLAMP® is a universal, maintenance-free connection solution for all conductor types, offering a key advantage: It allows direct insertion of both solid and fine-stranded conductors with ferrules without needing tools. No preparation is required; for example, crimping the conductor's ferrule is not necessary. This through terminal block is suitable for conductor cross sections ranging from 0.5 mm<sup>2</sup> to 10 mm<sup>2</sup>.

### Electrical data

Ratings per	IEC/EN 60664-1		
Overvoltage category	III	III	II
Pollution degree	3	2	2
Nominal voltage	500 V	-	-
Rated impulse withstand voltage	6 kV	-	-
Rated current	30 A	-	-

Approvals per	UL 1059		
Use group	B	C	D
Rated voltage	300 V	300 V	300 V
Rated current	30 A	30 A	10 A

Approvals per	CSA 22.2 No 158		
Use group	B	C	D
Rated voltage	300 V	300 V	300 V
Rated current	30 A	30 A	10 A

Power Loss	
Power loss, per pole (potential)	0.702 W
Rated current $I_N$ for power loss specification	30 A
Resistance value for specified, current-dependent power loss	0.00078 Ω

### General information

Wiring direction	Front-entry wiring
------------------	--------------------

## Connection Data

Clamping units	2
Total number of potentials	1
Number of levels	1
Number of jumper slots	2

## Connection 1

Connection technology	Push-in CAGE CLAMP®
Actuation type	Operating tool
Connectable conductor materials	Copper
Nominal cross-section	6 mm <sup>2</sup> / 10 AWG
Solid conductor	0.5 ... 10 mm <sup>2</sup> / 20 ... 8 AWG
Solid conductor; push-in termination	1 ... 10 mm <sup>2</sup> / 14 ... 8 AWG
Fine-stranded conductor	0.5 ... 10 mm <sup>2</sup> / 20 ... 8 AWG
Fine-stranded conductor; with insulated ferrule	0.5 ... 6 mm <sup>2</sup> / 20 ... 10 AWG
Fine-stranded conductor; with uninsulated ferrule	1.5 ... 6 mm <sup>2</sup> / 16 ... 10 AWG
Fine-stranded conductor; with ferrule; push-in termination	2.5 ... 6 mm <sup>2</sup> / 16 ... 10 AWG
Strip length	13 ... 15 mm / 0.51 ... 0.59 inches
Wiring direction	Front-entry wiring

## Physical data

Width	8 mm / 0.315 inches
Height	99.6 mm / 3.921 inches
Depth from upper-edge of DIN-rail	46.8 mm / 1.843 inches

## Mechanical data

Mounting type	DIN-35 rail
Marking level	Center/side marking

## Material data

Note (material data)	<a href="#">Information on material specifications can be found here</a>
Color	gray
Material group	I
Insulation material (main housing)	Polyamide (PA66)
Flammability class per UL94	V0
Fire load	0.388 MJ
Weight	22.2 g
Test socket color	yellow

## Environmental requirements

Processing temperature	-35 ... +85 °C
Continuous operating temperature	-60 ... +105 °C

## Environmental Testing

Test specification: Railway applications – Rolling stock – Electronic equipment	DIN EN 50155 (VDE 0115-200):2022-06
Test procedure: Railway applications – Rolling stock equipment – Vibration and shock tests	DIN EN 61373 (VDE 0115-0106):2011-04
Spectrum/Mounting location	Service life test, Category 1, Class A/B
Functional test with noise-like oscillations	Test passed according to Section 8 of the standard
Frequency	f <sub>1</sub> = 5 Hz to f <sub>2</sub> = 150 Hz
Acceleration	0.101g (highest test level used for all axes)
Test duration per axis	10 min.

### Environmental Testing

Test directions	X, Y and Z axes
Monitoring of contact faults and interruptions	Passed
Voltage drop measurement before and after each axis	Passed
Simulated service life test through increased levels of noise-like oscillations	Test passed according to Section 9 of the standard
Frequency	$f_1 = 5 \text{ Hz}$ to $f_2 = 150 \text{ Hz}$
Acceleration	0.572g (highest test level used for all axes)
Test duration per axis	5 h
Test directions	X, Y and Z axes
Extended testing: Monitoring of contact faults and interruptions	Passed
Extended testing: Voltage drop measurement before and after each axis	Passed
Shock test	Test passed according to Section 10 of the standard
Shock pulse form	Half sine
Acceleration	5g (highest test level used for all axes)
Shock duration	30 ms
Number of shocks (per axis)	3 pos. und 3 neg.
Test directions	X, Y and Z axes
Extended testing: Monitoring of contact faults and interruptions	Passed
Extended testing: Voltage drop measurement before and after each axis	Passed
Vibration and shock stress for rolling stock equipment	Passed

### Commercial data

PU (SPU)	20 pcs
Packaging type	Box
Country of origin	CN
GTIN	4055143300261
Customs tariff number	85369010000

### Product Classification

UNSPSC	39121410
eCl@ss 10.0	27-14-11-20
eCl@ss 9.0	27-14-11-20
ETIM 9.0	EC000897
ETIM 10.0	EC000897
ECCN	NO US CLASSIFICATION

### Environmental Product Compliance

CAS-No.	7439-92-1
REACH Candidate List Substance	Lead
RoHS Compliance Status	Compliant,With Exemption
RoHS Exemption	6(c)
SCIP notification number (Austria)	57707983-e2cb-4c06-9f13-b7d13de06553
SCIP notification number (Belgium)	82217169-3099-4b27-8d50-182a10d65a01
SCIP notification number (Bulgaria)	993cede1-7f6d-4c81-b0a7-4dd6a143a317
SCIP notification number (Czech Republic)	016aae09-762e-4005-af0d-5589621d6be7
SCIP notification number (Denmark)	27931ebd-dd01-4e8a-96ff-20f2cd8de297
SCIP notification number (Finland)	724488d1-5bf5-4cdc-b86c-de10cbc0966b
SCIP notification number (France)	c1c8ce36-125e-48c0-9994-54c310202321

**Environmental Product Compliance**

SCIP notification number (Germany)	debf8cf-e67f-4372-8844-460c9981cae3
SCIP notification number (Hungary)	bc156623-1ad2-461c-adfe-a484f33b165e
SCIP notification number (Italy)	27014f6e-a1a4-4791-848c-2f47acfd8042
SCIP notification number (Netherlands)	8a8f7739-5c8b-407b-a2dd-73310807729a
SCIP notification number (Poland)	ec39b5e1-5b1b-47ba-9cee-68171d87efe0
SCIP notification number (Romania)	f0828e90-696f-4973-b92b-fda155a53a62
SCIP notification number (Sweden)	82c64032-b24e-475d-8b42-e27fdc49925b

**Approvals / Certificates**

**General approvals**



Approval	Standard	Certificate Name
CSA DEKRA Certification B.V.	C22.2 No. 158	70009679
KEMA/KEUR DEKRA Certification B.V.	EN 60947	71-131652
UL UL International Germany GmbH	UL 1059	E45172

**Declarations of conformity and manufacturer's declarations**



Approval	Standard	Certificate Name
EU-Declaration of Conformity WAGO GmbH & Co. KG	-	-
Railway WAGO GmbH & Co. KG	-	Railway Ready
UK-Declaration of Conformity WAGO GmbH & Co. KG	-	-

**Approvals for marine applications**



Approval	Standard	Certificate Name
DNV GL Det Norske Veritas, Germanischer Lloyd	-	TAE00001V2
PRS Polski Rejestr Statków	-	TE/1094/880590/23

**Downloads**

**Environmental Product Compliance**

**Compliance Search**

Environmental Product Compliance 2007-8801/041-000	↓
---	---

**CAD/CAE-Data**

**CAD data**

2D/3D Models  
2007-8801/041-000



**CAE data**

EPLAN Data Portal  
2007-8801/041-000



WSCAD Universe  
2007-8801/041-000



ZUKEN Portal  
2007-8801/041-000



**1 Compatible Products**

**1.1 Required Accessories**

**1.1.1 End plate**

**1.1.1.1 End plate**



**Item No.: 2007-8893**

End plate; 1.5 mm thick; with lock-out seal option; gray

**Item No.: 2007-8894**

End plate; 1.5 mm thick; with lock-out seal option; orange

**Item No.: 2007-8891**

End plate; 1.5 mm thick; without lock-out seal option; gray

**Item No.: 2007-8892**

End plate; 1.5 mm thick; without lock-out seal option; orange

**1.2 Optional Accessories**

**1.2.1 DIN-rail**

**1.2.1.1 Mounting accessories**



**Item No.: 210-196**

Aluminum carrier rail; 35 x 8.2 mm; 1.6 mm thick; 2 m long; unslotted; similar to EN 60715; silver-colored



**Item No.: 210-198**

Copper carrier rail; 35 x 15 mm; 2.3 mm thick; 2 m long; unslotted; according to EN 60715; copper-colored



**Item No.: 210-197**

Steel carrier rail; 35 x 15 mm; 1.5 mm thick; 2 m long; slotted; similar to EN 60715; silver-colored



**Item No.: 210-114**

Steel carrier rail; 35 x 15 mm; 1.5 mm thick; 2 m long; unslotted; similar to EN 60715; silver-colored



**Item No.: 210-118**

Steel carrier rail; 35 x 15 mm; 2.3 mm thick; 2 m long; unslotted; according to EN 60715; silver-colored



**Item No.: 210-115**

Steel carrier rail; 35 x 7.5 mm; 1 mm thick; 2 m long; slotted; according to EN 60715; "Hole width 18 mm; silver-colored



**Item No.: 210-112**

Steel carrier rail; 35 x 7.5 mm; 1 mm thick; 2 m long; slotted; according to EN 60715; "Hole width 25 mm; silver-colored



**Item No.: 210-113**

Steel carrier rail; 35 x 7.5 mm; 1 mm thick; 2 m long; unslotted; according to EN 60715; silver-colored

**1.2.2 Installation**

**1.2.2.1 Cover**



**Item No.: 709-156**

Cover; Type 3; suitable for cover carrier, type 3; 1 m long; transparent

1.2.2.2 Cover carrier



**Item No.: 709-169**

Cover carrier; Type 3; incl. fixing/retaining screws and knurled nut; suitable for 279 to 282 and 880 Series rail-mounted terminal blocks; suitable for 264 Series miniature rail-mounted terminal blocks; suitable for 270 Series sensor and actuator terminal blocks; gray

1.2.3 Jumper

1.2.3.1 Jumper



**Item No.: 282-440**

Jumper; 10-way; insulated; orange



**Item No.: 282-432**

Jumper; 2-way; insulated; orange



**Item No.: 282-432/100-000**

Jumper; 2-way; insulated; orange



**Item No.: 282-433**

Jumper; 3-way; insulated; orange



**Item No.: 282-433/100-000**

Jumper; 3-way; insulated; orange



**Item No.: 282-434**

Jumper; 4-way; insulated; orange



**Item No.: 282-434/100-000**

Jumper; 4-way; insulated; orange



**Item No.: 282-435**

Jumper; 5-way; insulated; orange



**Item No.: 282-436**

Jumper; 6-way; insulated; orange



**Item No.: 282-437**

Jumper; 7-way; insulated; orange



**Item No.: 282-438**

Jumper; 8-way; insulated; orange



**Item No.: 282-439**

Jumper; 9-way; insulated; orange



**Item No.: 282-435/011-000**

Jumper; insulated; orange



**Item No.: 282-435/300-000**

Jumper; insulated; orange



**Item No.: 282-435/301-000**

Jumper; insulated; orange



**Item No.: 282-436/301-000**

Jumper; insulated; orange



**Item No.: 282-436/304-000**

Jumper; insulated; orange



**Item No.: 282-437/011-000**

Jumper; insulated; orange



**Item No.: 282-437/012-000**

Jumper; insulated; orange



**Item No.: 282-438/300-000**

Jumper; insulated; orange



**Item No.: 282-438/301-000**

Jumper; insulated; orange



**Item No.: 282-439/011-000**

Jumper; insulated; orange

1.2.4 Marking

1.2.4.1 Marker



**Item No.: 793-501/000-006**

WMB marking card; as card; not stretchable; plain; snap-on type; blue



**Item No.: 793-501/000-007**

WMB marking card; as card; not stretchable; plain; snap-on type; gray



**Item No.: 793-501/000-023**

WMB marking card; as card; not stretchable; plain; snap-on type; green



**Item No.: 793-501/000-017**

WMB marking card; as card; not stretchable; plain; snap-on type; light green



**Item No.: 793-501/000-012**

WMB marking card; as card; not stretchable; plain; snap-on type; orange



**Item No.: 793-501/000-005**

WMB marking card; as card; not stretchable; plain; snap-on type; red



**Item No.: 793-501/000-024**

WMB marking card; as card; not stretchable; plain; snap-on type; violet



**Item No.: 793-501**

WMB marking card; as card; not stretchable; plain; snap-on type; white



**Item No.: 793-501/000-002**

WMB marking card; as card; not stretchable; plain; snap-on type; yellow



**Item No.: 2009-115/000-006**

WMB-Inline; for Smart Printer; 1500 pieces on roll; stretchable 5 - 5.2 mm; plain; snap-on type; blue



**Item No.: 2009-115/000-007**

WMB-Inline; for Smart Printer; 1500 pieces on roll; stretchable 5 - 5.2 mm; plain; snap-on type; gray



**Item No.: 2009-115/000-023**

WMB-Inline; for Smart Printer; 1500 pieces on roll; stretchable 5 - 5.2 mm; plain; snap-on type; green

### 1.2.4.1 Marker



**Item No.: 2009-115/000-017**

WMB-Inline; for Smart Printer; 1500 pieces on roll; stretchable 5 - 5.2 mm; plain; snap-on type; light green

**Item No.: 2009-115/000-012**

WMB-Inline; for Smart Printer; 1500 pieces on roll; stretchable 5 - 5.2 mm; plain; snap-on type; orange

**Item No.: 2009-115/000-024**

WMB-Inline; for Smart Printer; 1500 pieces on roll; stretchable 5 - 5.2 mm; plain; snap-on type; violet

**Item No.: 2009-115**

WMB-Inline; for Smart Printer; 1500 pieces on roll; stretchable 5 - 5.2 mm; plain; snap-on type; white



**Item No.: 2009-115/000-002**

WMB-Inline; for Smart Printer; 1500 pieces on roll; stretchable 5 - 5.2 mm; plain; snap-on type; yellow

### 1.2.4.2 Marker carrier



**Item No.: 2009-198**

Adaptor; gray

### 1.2.4.3 Marking strip



**Item No.: 2009-110**

Marking strips; for Smart Printer; on reel; not stretchable; plain; snap-on type; white

### 1.2.5 Protective warning marker

#### 1.2.5.1 Cover



**Item No.: 2006-115**

Protective warning marker; for 5 terminal blocks; with high-voltage symbol, black; yellow

### 1.2.6 Screwless end stop

#### 1.2.6.1 Mounting accessories



**Item No.: 249-117**

Screwless end stop; 10 mm wide; for DIN-rail 35 x 15 and 35 x 7.5; gray

**Item No.: 249-116**

Screwless end stop; 6 mm wide; for DIN-rail 35 x 15 and 35 x 7.5; gray

## 1.2.7 Tool

### 1.2.7.1 Operating tool

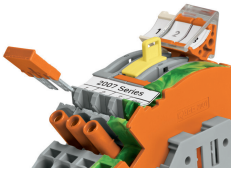


**Item No.: 210-721**

Operating tool; Blade: 5.5 x 0.8 mm; with a partially insulated shaft; multicoloured

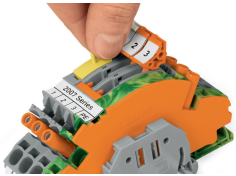
## Installation Notes

### Commoning

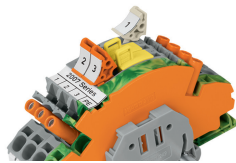


Additional commoning option on the transformer side

## Security



Lock-out prevents accidental operation of disconnect link.



Lock-out snaps into one of two notched positions.

## Locking system



Using locking covers or profiles for adjacent terminal blocks allows disconnect links to be operated simultaneously.

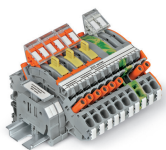


A lock-out seal can be used on the disconnect link in operating position I when combined with an end and separator plate (Item No. 2007-8893 or Item No. 2007-8894).



Interlocking link mechanically locks multiple links for multi-pole switching applications.

## Marking



Marking via WMB Multi markers or marking strips.