

Data Sheet | Item Number: 713-1409/117-000/997-407

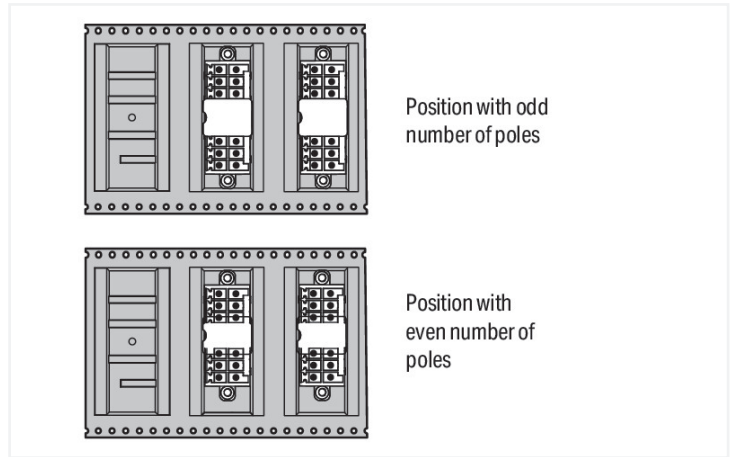
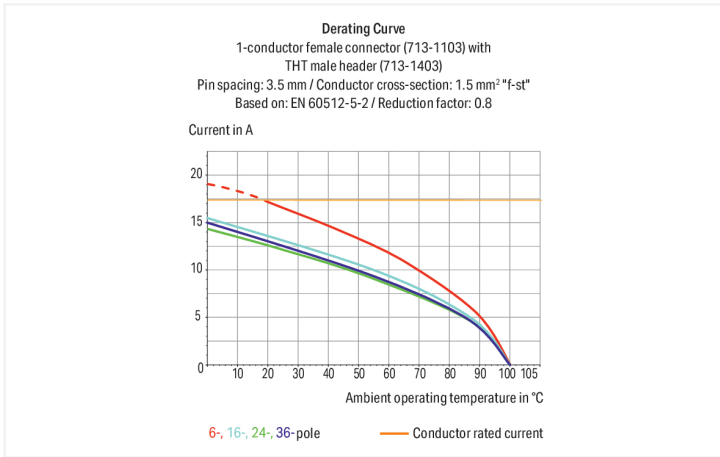
THR male header, 2-row; 0.8 x 0.8 mm solder pin; straight; 100% protected against mismatching; in tape-and-reel packaging; Pin spacing 3.5 mm; 18-pole; black

<https://www.wago.com/713-1409/117-000/997-407>

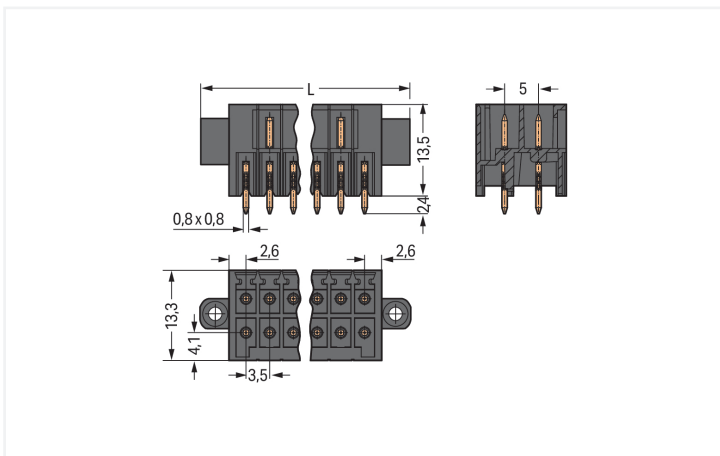


Color: ■ black

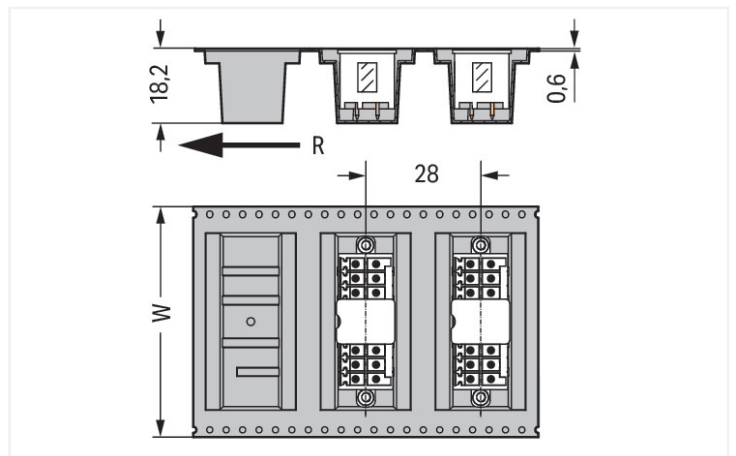
Similar to illustration



Dimensions in mm
 Pin position in tape-and-reel packaging



Dimensions in mm
 $L = [(pole\ no./2) - 1] \times pin\ spacing + 13.6\ mm$



Dimensions in mm
 W = tape width R = feed direction

Male connector, 713 Series, black

Enjoy easy electrical installations with this male connector (item number 713-1409/117-000/997-407). Dimensions: (41.6 x 15.9 x 13.3) mm (width x height x depth).

Tin is used for coating the contact surfaces. The pcb connector is designed for THR soldering.

| Notes | |
|--------------------|---|
| Safety Information | The MCS – MULTI CONNECTION SYSTEM includes connectors without breaking capacity in accordance with DIN EN 61984. When used as intended, these connectors must not be connected/disconnected when live or under load. When used as intended, these connectors must not be connected/disconnected when live or under load. The circuit design should ensure header pins, which can be touched, are not live when unmated. |
| Variants: | Other pole numbers Other solder pin lengths Gold-plated or partially gold-plated contact surfaces Other versions (or variants) can be requested from WAGO Sales or configured at https://configurator.wago.com/ . |

Electrical data

| Ratings per | IEC/EN 60664-1 | | | Approvals per | UL 1059 | | |
|---------------------------------|----------------|--------|--------|---------------|---------|------|---|
| Overvoltage category | III | III | II | Use group | B | C | D |
| Pollution degree | 3 | 2 | 2 | Rated voltage | 150 V | 50 V | - |
| Nominal voltage | 80 V | 160 V | 250 V | Rated current | 10 A | 10 A | - |
| Rated impulse withstand voltage | 2.5 kV | 2.5 kV | 2.5 kV | | | | |
| Rated current | 10 A | 10 A | 10 A | | | | |

| Approvals per | CSA | | |
|---------------|-------|---|---|
| Use group | B | C | D |
| Rated voltage | 150 V | - | - |
| Rated current | 12 A | - | - |

Connection Data

| | | | |
|----------------------------|----|---------------------|----|
| Total number of potentials | 18 | Connection 1 | |
| Number of connection types | 1 | Pole number | 18 |
| Number of levels | 2 | | |

Physical data

| | |
|--|--------------------------|
| Pin spacing | 3.5 mm / 0.138 inches |
| Width | 41.6 mm / 1.638 inches |
| Height | 15.9 mm / 0.626 inches |
| Height from the surface | 13.5 mm / 0.531 inches |
| Depth | 13.3 mm / 0.524 inches |
| Solder pin length | 2.4 mm |
| Solder pin dimensions | 0.8 x 0.8 mm |
| Plated through-hole diameter (THR) | 1.3 ^(+0.1) mm |
| Reel diameter of tape-and-reel packaging | 330 mm |
| Tape width | 56 mm |

Mechanical data

| | |
|--------------------------|-----|
| Variable coding | Yes |
| Anti-rotation protection | Yes |

Plug-in connection

| | |
|------------------------------------|---------------------|
| Contact type (pluggable connector) | Male connector/plug |
| Connector (connection type) | for PCB |
| Mismating protection | Yes |
| Mating direction to the PCB | 90 ° |
| Locking of plug-in connection | Threaded flange |

PCB contact

| | |
|-------------------------------------|--|
| PCB contact | THR |
| Solder pin arrangement | over the entire male connector (in-line) |
| Number of solder pins per potential | 1 |

Material data

| | |
|------------------------------------|--|
| Note (material data) | Information on material specifications can be found here |
| Color | black |
| Material group | I |
| Insulation material (main housing) | Polyphthalamide (PPA GF) |
| Flammability class per UL94 | V0 |
| Contact material | Electrolytic copper (E _{Cu}) |
| Contact Plating | Tin |
| Fire load | 0 MJ |
| Weight | 5.2 g |
| MSL per J-STD 020D | 1 |

Environmental requirements

| | |
|-------------------------|-----------------|
| Limit temperature range | -60 ... +100 °C |
| Processing temperature | -35 ... +60 °C |

Commercial data

| | |
|-----------------------|---------------|
| PU (SPU) | 120 pcs |
| Packaging type | Bag |
| Country of origin | DE |
| GTIN | 4050821308874 |
| Customs tariff number | 85366930000 |

Product Classification

| | |
|-------------|----------------------|
| UNSPSC | 39121409 |
| eCl@ss 10.0 | 27-44-04-02 |
| eCl@ss 9.0 | 27-44-04-02 |
| ETIM 9.0 | EC002637 |
| ETIM 10.0 | EC002637 |
| ECCN | NO US CLASSIFICATION |

Environmental Product Compliance

| | |
|---|--------------------------------------|
| RoHS Compliance Status | Compliant,With Exemption |
| RoHS Exemption | 6(c) |
| SCIP notification number (Austria) | f8c9d3f3-df1a-4d39-89a8-38119adb674e |
| SCIP notification number (Belgium) | 9bb3f559-a53a-4569-8db4-542f6a6daa08 |
| SCIP notification number (Bulgaria) | d616dd29-59b4-458f-8c77-ec0a8b5462f8 |
| SCIP notification number (Czech Republic) | db070363-d555-4581-9bf0-b23a40efb23e |
| SCIP notification number (Denmark) | 35aeafeb-5fb1-4f09-abd0-48e99d6700ec |
| SCIP notification number (Finland) | b1fcb8fa-c59c-4e8c-83f2-9d60dc23dbcc |
| SCIP notification number (France) | 3147f620-b95d-40fd-8424-eac5e87b1d4a |
| SCIP notification number (Germany) | 3d958e94-9864-4d73-a2c6-a943ba4b37d1 |
| SCIP notification number (Hungary) | 9ae8ab0c-606c-458a-a3b6-580babe58e36 |
| SCIP notification number (Italy) | 3d61ac27-415b-4b60-877f-80d71a89fc14 |
| SCIP notification number (Netherlands) | 6614f999-2176-431f-b624-f08b619a1d89 |
| SCIP notification number (Poland) | dd94f2e3-a1da-4c2e-af55-16adf4def53c |
| SCIP notification number (Romania) | c12f2272-034f-42d0-bf22-9add2cd8e2ef |
| SCIP notification number (Sweden) | e2ce0e57-896a-4db3-a445-db503a84b458 |

Approvals / Certificates

General approvals

Declarations of conformity and manufacturer's declarations



| Approval | Standard | Certificate Name |
|---------------------------------------|-----------|------------------|
| CB DEKRA Certification B.V. | IEC 61984 | NL-102427 |
| CSA CSA Group | C22.2 | 2315087 |
| KEMA/KEUR DEKRA Certification B.V. | EN 61984 | 71-133740 |

| Approval | Standard | Certificate Name |
|-------------------------------|----------|------------------|
| Railway WAGO GmbH & Co. KG | - | Z00004424.000 |

Downloads

Environmental Product Compliance

Compliance Search



Documentation

Additional Information

| | | | |
|-------------------|------------|-------------------|--|
| Technical Section | 03.04.2019 | pdf 2027.26 KB | |
| | | pdf 535.32 KB | |

CAD/CAE-Data

CAD data



PCB Design



1 Compatible Products

1.1 System counterpart

1.1.1 Female connector/socket

**Item No.: 713-1109/107-000**

1-conductor female connector, 2-row; CA-GE CLAMP®; 1.5 mm²; Pin spacing 3.5 mm; 18-pole; 100% protected against mismatching; Screw flange; black

1.2 Optional Accessories

1.2.1 Coding

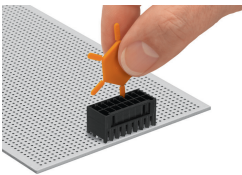
1.2.1.1 Coding

**Item No.: 714-101**

Coding key; orange

Installation Notes

Coding



Coding a male header by inserting a coding pin.