

Presence detector P42LR, 230 V, master, 2 channels, 32-37 m, IP54, for surface mounting, white

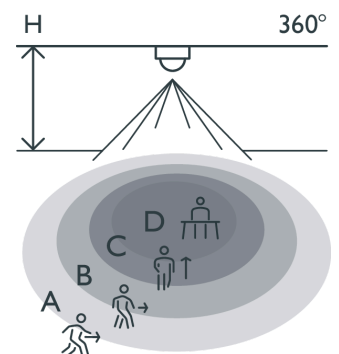
353-702221



230 V	master	IP54	2xN.O. (max. 0 A), potential-free	20 lx – 2,000 lx	360°	ø 37 m from a height of 3 m
2 m – 3.5 m	surface-mounting	Bluetooth® Low Energy				



Detection range



H	A Walking	B Across	C Towards	D Presence
2.5 m	ø 32 m	ø 28 m	ø 10 m	ø 8 m
3.0 m	ø 37 m	ø 30 m	ø 8 m	ø 5 m
3.5 m	ø 48 m	ø 42 m	ø 8 m	ø 6 m

Measured according to EN/IEC63180



This presence detector is a 2-channel master detector with a large detection range for automatic lighting control. The detector is fitted with multiple functions and can be controlled wirelessly by push buttons. It is designed for surface mounting and has an IP54 protection degree. The detector's settings can be modified using the Niko detector tool app and 2-way Bluetooth® communication between a smartphone and the detector.

Colour: white

Compatible secondary detectors: 353-600021, 353-601021, 353-602021, 353-700021, 353-701021, 353-702021, 353-802011

Compatible master detectors:

Compatible controls: 170-00005, 170-00015, 170-70015, 170-70005, 360-21001

This article is protected by at least one patent (or patent application). For more info on patents, see www.niko.eu/innovation.

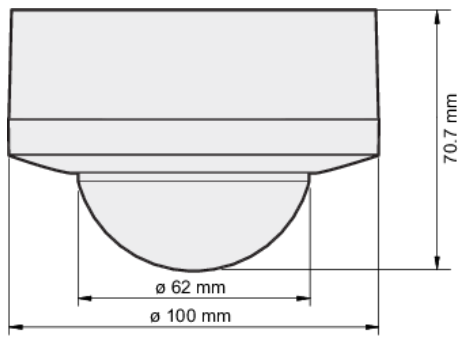
- Surface mounting
- Quick cabling using screwless and easily accessible plug-in terminals
- User-friendly app for commissioning (iOS/Android)
- 2-way Bluetooth® communication ensures quick modification of settings and live feedback in the app

- Fitted with three PIR segments, each covering 120°
- Pre-configured functions:
- Each channel can be set independently
- Detection range can be increased using up to 10 secondary detectors
- Wireless communication between master and secondary detectors with a repeater function
- Robust potential-free relay
- Automatic lighting control can be controlled with a 230 V push button – one for each channel separately or one for both channels
- Settings and configuration can be locked with a PIN code
- Web based portal solution for backing up and exchanging configuration files
- IP54 protection degree

Technical features

Compatible secondary detectors	353-600021, 353-601021, 353-602021, 353-700021, 353-701021, 353-702021, 353-802011
Compatible controls	170-00005, 170-00015, 170-70015, 170-70005, 360-21001
Configuration	master
Input voltage	230 Vac
Detector output	230 V (ON/OFF)
Switch-off delay	pulse, 15 sec – 7,200 sec, ∞
Maximum power consumption	0.2 W
Maximum MCB rating	16 A (limited by national installation rules)
Detection angle	360 °
Detection range (PIR)	∅ 37 m from a height of 3 m
Minimum ambient temperature	-25 °C
Maximum ambient temperature	+40 °C
Mounting method	surface mounting
Mounting height	2 m – 3.5 m
Colour	white
Colour RAL (approximately)	9010
Dimensions visible (HxWxD)	100 mm x 100 mm
Dimensions (HxWxD)	100 mm x 100 mm x 70.7 mm
Maximum range Bluetooth® (free field, depending on the device)	50 m
Operating frequency	2.4 GHz
Maximum radio frequency power	-2 dBm
Protection degree standalone	IP54
Impact resistance	IK04
Modification of settings	Niko detector tool app (iOS-Android) and 2-way Bluetooth® communication
Halogen-free	yes

Dimensions



Wiring diagram

