

Presence detector P47LR, DALI-2, master, 32-37 m, for flush-mounting box, white

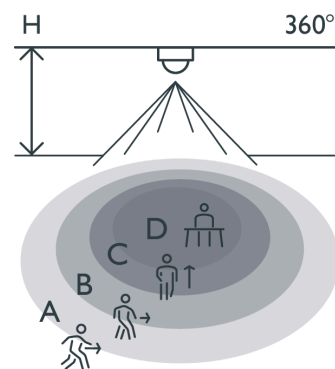
353-750321



DALI-2	master	IP20	20 lx – 2,000 lx	360°	ø 37 m from a height of 3 m	2 m – 3.5 m
flush-mounting box	Bluetooth® Low Energy					



Detection range



This presence detector is a DALI-2 master detector for DALI lighting control in up to 3 daylight zones. The detector is specially designed for mounting in a standard flush-mounting box (60 or 79 mm diagonal screw distance). The lighting zones are defined during commissioning, using the Niko detector tool app and 2-way Bluetooth® communication between a smartphone and the detector.

Colour: white

Compatible secondary detectors: 353-650021, 353-651021, 353-652021, 353-750021, 353-751021, 353-752021, 353-852011

Compatible master detectors:

Compatible controls: 170-00005, 170-00015, 170-70015, 170-70005, 360-21001

This article is protected by at least one patent (or patent application). For more info on patents, see www.niko.eu/innovation.

H	A Walking	B Across	C Towards	D Presence
2.5 m	ø 32 m	ø 28 m	ø 10 m	ø 8 m
3.0 m	ø 37 m	ø 30 m	ø 8 m	ø 5 m
3.5 m	ø 48 m	ø 42 m	ø 8 m	ø 6 m

Measured according to EN/IEC63180



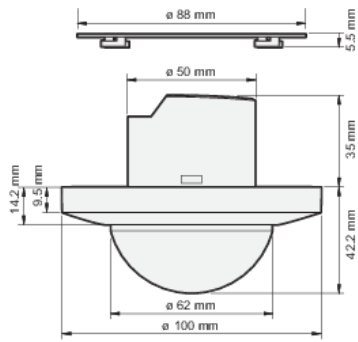
- Daylight control in 1-3 daylight zones
- Easy mounting in a standard flush-mounting box (60 or 79 mm diagonal screw distance)
- Quick cabling using screwless and easily accessible plug-in terminals
- User-friendly app for commissioning (iOS/Android)
- 2-way Bluetooth® communication ensures quick commissioning and live feedback in the app

- Supports DALI broadcast (default) and DALI addressable
- Fitted with three PIR segments, each covering 120°
- Pre-configured functions:
- DALI lighting control can be overridden with a 230 V push button - different options available
- Suitable for controlling up to 64 DALI devices (consider guaranteed current on the DALI bus)

Technical features

Compatible secondary detectors	353-650021, 353-651021, 353-652021, 353-750021, 353-751021, 353-752021, 353-852011
Compatible controls	170-00005, 170-00015, 170-70015, 170-70005, 360-21001
Configuration	master
Input voltage	230 Vac
Detector output	DALI Broadcast/DALI Addressable
Maximum startup time DALI	<1,200 ms
Maximum PIR detection startup time	70 sec
Switch-off delay	pulse, 30 sec – 7,200 sec, ∞
Maximum power consumption	0.5 W
Maximum MCB rating	16 A (limited by national installation rules)
Detection angle	360 °
Detection range (PIR)	∅ 37 m from a height of 3 m
Minimum ambient temperature	-25 °C
Maximum ambient temperature	+40 °C
Mounting method	flush-mounting box
Mounting height	2 m – 3.5 m
Colour	white
Colour RAL (approximately)	9010
Dimensions visible (HxWxD)	100 mm x 100 mm
Dimensions (HxWxD)	100 mm x 100 mm x 77.2 mm
Maximum range Bluetooth® (free field, depending on the device)	50 m
Operating frequency	2.4 GHz
Maximum radio frequency power	-2 dBm
Protection degree standalone	IP20
Impact resistance	IK04
Modification of settings	Niko detector tool app (iOS-Android) and 2-way Bluetooth® communication
Halogen-free	yes

Dimensions



Wiring diagram

