




**TARA Single-hole mixer - Brushed Platinum**

TARA

22 815 892 Product version from 6/30/2009 to 5/27/2021



- 235mm projection
- pivotable spout 360°
- air-enriched flow
- height of mixer 378 mm
- height up to aerator 220 mm
- hole diameter 35 mm
- max. flow 7 l/min at 3 bar flow pressure
- lead-free
- This product can help a building meet the requirements of Green Building Rating Systems, e.g. LEED®, BREEAM®, DGNB
- WRAS

	Brushed Platinum	22 815 892-06
	Chrome	22 815 892-00
	Platinum	22 815 892-08
	Durabronze (23kt Gold)	22 815 892-09
	Dark Chrome	22 815 892-19
	Brushed Durabronze (23kt Gold)	22 815 892-28
	Matte Black	22 815 892-33
	Brushed Dark Brass (PVD)	22 815 892-39
	Brushed Bronze (PVD)	22 815 892-42
	Brushed Dark Bronze (PVD)	22 815 892-43
	Brushed Champagne (22kt Gold)	22 815 892-46
	Champagne (22kt Gold)	22 815 892-47
	Brushed Chrome	22 815 892-93
	Brushed Dark Platinum	22 815 892-99

**Recommended miscellaneous**

**Dispenser with rosette - Brushed Platinum** 82 444 970-06



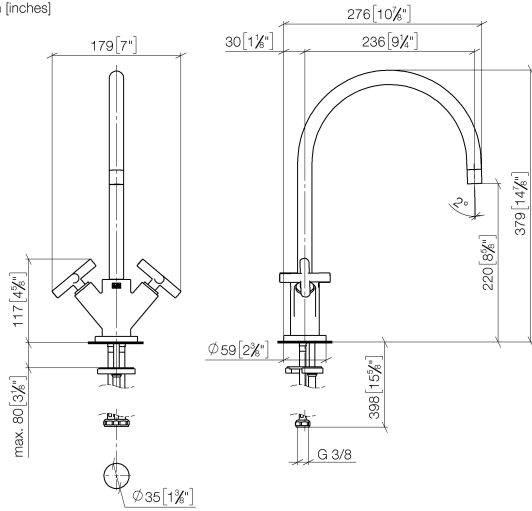
**Recommended miscellaneous**

**Strainer waste with control handle - Brushed Platinum** 10 710 970-06

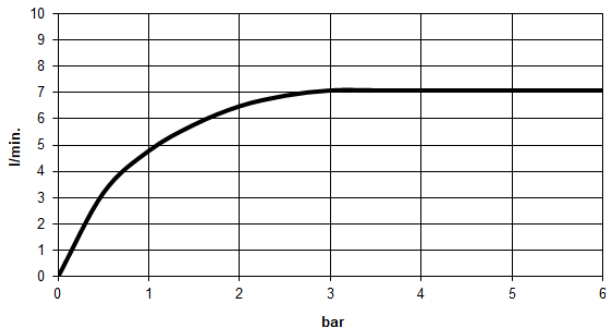


22 815 892 Product version from 6/30/2009 to 5/27/2021

mm [inches]



**Flow rate chart**



**Codes & Standards**

DIN 4109	EN 200	Executive Order no. 1007	ISO 3822
Scottish Water Byelaws	UK Water Supply Regulations	Ü-Zeichen	VA-Zeichen



## TARA Single-hole mixer - Brushed Platinum

TARA

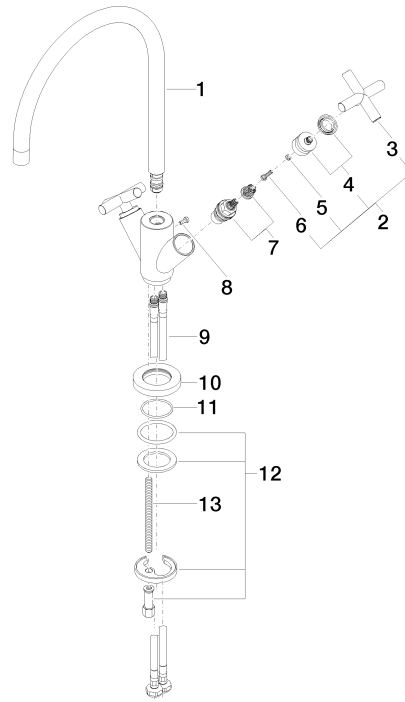
22 815 892 Product version from 6/30/2009 to 5/27/2021

### Certificates and sustainability

ETA_18	LGA_19	WRAS_240702	GDV_0400	EPD-DOR-20230287 -IBA1-EN Environmental.prod uct-declarat
--------	--------	-------------	----------	--

22 815 892 Product version from 6/30/2009 to 5/27/2021

Parts for other finishes can be found here: Chrome



### Spare parts list

No.	Item Number	Name	Quantity used	Delivery time
6	90 30 30 075 00 90	Mounting Cylinder head screw with hexagon socket Low profile M4 x 20 mm -	2.00	14
7	90 90 03 151 00 90	Head part clockwise closing 1/2" -	2.00	14
9	04 30 04 104 00 90	High pressure hose M10x1 x 3/8" x 420 mm -	2.00	14
10	09 28 10 132-06	Rosette Ø 59 x Ø 35 x 9 mm - Brushed Platinum	1.00	20
12	04 30 11 038 00 90	Mounting with O-ring Ø40 x 4mm Ø 52 x 1,5 mm -	1.00	14
13	09 31 11 012 90	Mounting Threaded bolt M8 x110 mm -	1.00	14
5	90 30 11 029 00 90	Connection Spring lock washer Ø 4 -	2.00	14
4	90 12 12 007 00-06	Handle Socket retainer Ø 29 x 26 mm - Brushed Platinum	2.00	20
8	09 30 30 054 90	Mounting Cylinder head screw with hexagon socket with low profile M4 x 10 mm -	1.00	14
2	90 20 89 010 10-06	Handle TARA - Brushed Platinum	2.00	20
3	09 20 89 010-06	Handle 70 x 70 x 22,5 mm - Brushed Platinum	2.00	-
Spare part can no longer be ordered, please order the replacement item				
	90208901010-06	Handle TARA - Brushed Platinum		
1	90 28 22 226 01-06	Spout 235 mm, 7 l/min. - Brushed Platinum	1.00	20
11	09 14 10 134 90	O-Ring 35,2 x 2,2 mm -	1.00	14