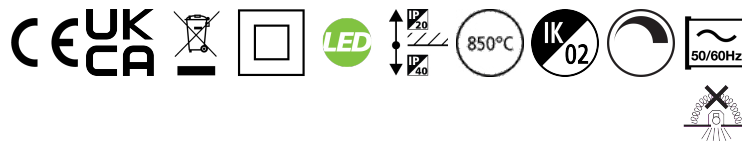


Concord

Solstice 200 2000lm 930 DALI Sandblast 2070416



Features

- Solstice 200 2000lm 930 DALI Sandblast is an efficient DALI dimmable downlight luminaire, Colour rendering index Ra>90, Colour temperature: 3000K Warm White, Class II, Protection rating IP40/IP20, Cut out dimensions: 150mm.

Product Overview

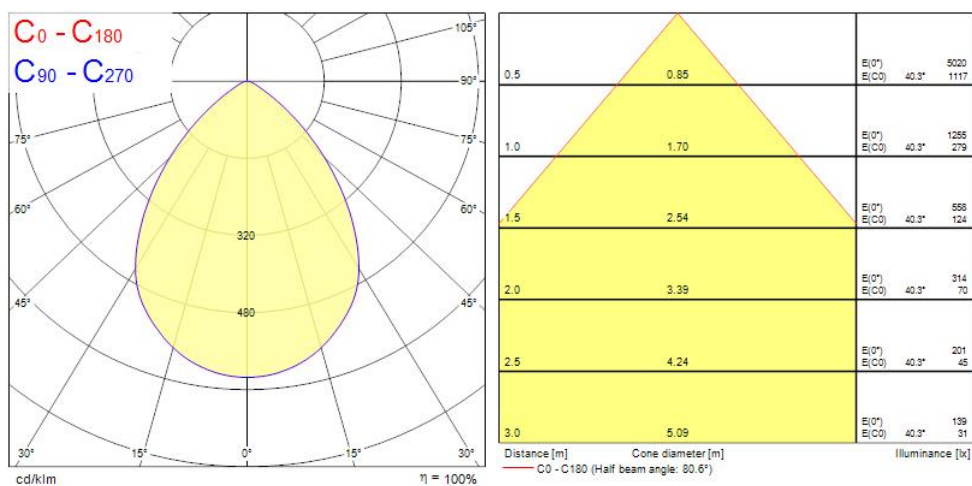
Product name	Solstice 200 2000lm 930 DALI Sandblast
Technology	LED
Cap/Base	N/A
Housing	Aluminium
Mount	Ceiling recessed mounting
Fixture luminous flux (lm)	2000
Luminaire efficacy (lm/W)	135
LOR (%)	118
Colour temperature (K)	3000
Light colour	Warm White
CRI (Ra)	90
Colour Consistency (SDCM)	3
Colour Variation Initial (SDCM)	3
Glare control	< 19
Photobiological Risk Group	RG1
Total power consumption (W)	17
Electrical protection	Class II
Control gear type	LED driver constant current
LED Flickering Rate	Ultra low (5% or less)

Concord

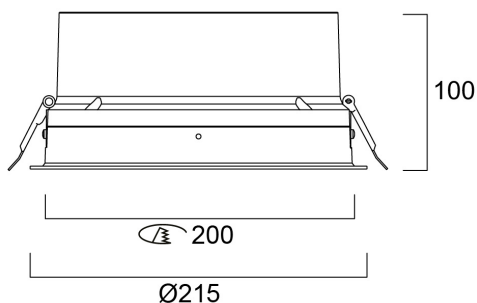
Solstice 200 2000lm 930 DALI Sandblast 2070416

Housing colour	RAL 9016 - Traffic white / Bezel
IP rating	IP40/20
IK rating	IK02
Product EAN number	5025768704163
Warranty	5 years
Useful luminous flux (#use)	2000

Photometry



Technical drawings



Concord

Solstice 200 2000lm 930 DALI Sandblast 2070416

Data table

GENERAL DATA

Product name	Solstice 200 2000lm 930 DALI Sandblast
Technology	LED
Cap/Base	N/A
Housing	Aluminium
Mount	Ceiling recessed mounting
Operating temperature range (°C)	-10°C...+40°C
Performance ambient temperature Tq (°C)	40
Warranty	5 years

OPTICAL DATA

Useful luminous flux (#use)	2000
Fixture luminous flux (lm)	2000
Luminaire efficacy (lm/W)	135
LOR (%)	118
Colour temperature (K)	3000
Light colour	Warm White
CRI (Ra)	90
Colour Consistency (SDCM)	3
Colour Variation Initial (SDCM)	3
Glare control	< 19
Photobiological Risk Group	RG1

ELECTRICAL DATA

Total power consumption (W)	17
Current (A)	450
Primary Supply/Product voltage - min (V)	220.0
Lamp power factor	0.96
Electrical protection	Class II
Control gear required	No

Concord

Solstice 200 2000lm 930 DALI Sandblast 2070416

Control gear type	LED driver constant current
Drive current (mA)	450
Inrush Current (A)	25
Inrush Duration (µs)	141
Glow Wire Test (°C)	850
Energy Efficiency Class (A->G) of contained light source	C
Nominal Frequency (Hz)	50/60Hz
LED Flickering Rate	Ultra low (5% or less)
Max. products per 10A C Breaker	31
Max. products per 13A C Breaker	40
Max. products per 16A C Breaker	51
Max. products per 20A B Breaker	40
Connectable conductor cross section - Min (mm ²)	0.5
Connectable conductor cross section - Max (mm ²)	2.5

LIFETIME DATA

Lifespan L70 B50	120000
Lifespan L70 B20	120000
Lifespan L70 B10	120000
Lifespan L80 B50	120000
Lifespan L80 B20	120000
Lifespan L80 B10	120000
Lifespan L90 B50	77000
Lifespan L90 B20	70000
Lifespan L90 B10	68000

PHYSICAL DATA

Housing colour	RAL 9016 - Traffic white / Bezel
IP rating	IP40/20
IK rating	IK02
Diffuser finish	Diffuse

Concord

Solstice 200 2000lm 930 DALI Sandblast 2070416

Diffuser material	PC Polycarbonate
Nominal Product Diameter (mm)	215
Built-in diameter (mm)	200
Max. Lamp Diameter (mm) - D	215
Weight (kg)	0.95
Recessed Depth (mm)	150

PACKAGING

Product EAN number	5025768704163
Packaging single width (cm)	30.0
Packaging single depth (cm)	12.5
DUN14 (outer)	05025768704163
Packaging outer length / height (cm)	30.0

SAFETY DATA

Optimal operating condition (°C)	-10-40
Special purpose lamp	No
Dry applications use only	No
Suitable for household illumination	No