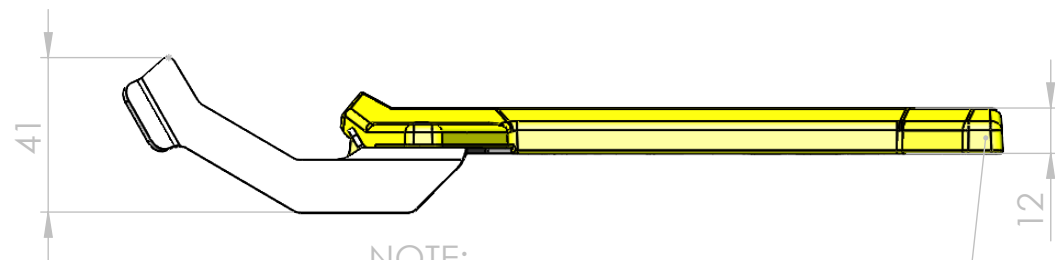
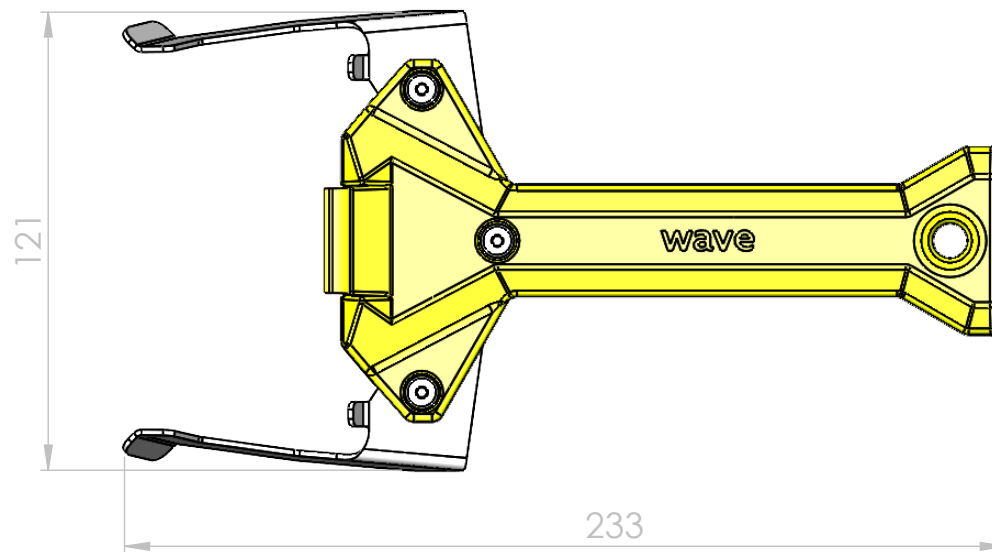
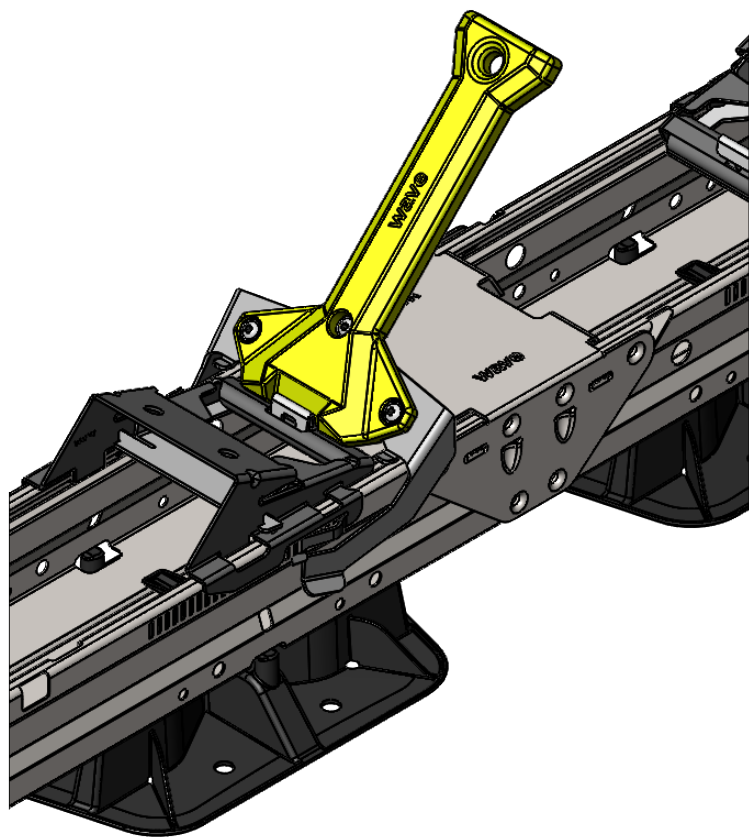


COMMERCIAL DRAWING



NOTE:
MODULE TO MODULE GAP = 12mm

ENSTALL™	PRODUCT: Wave Unlocker Assembly	
	ARTICLE NUMBER: 1009142	WEIGHT: 0.110kg
PROJECT FR1901	MATERIAL: Plastic / Steel	RELEASE DATE: 14-06-2024
ENGINEERING ID: 701116	DISCLAIMER: NO RIGHTS CAN BE DERIVED FROM THE INFORMATION PROVIDED BY THIS DOCUMENT	