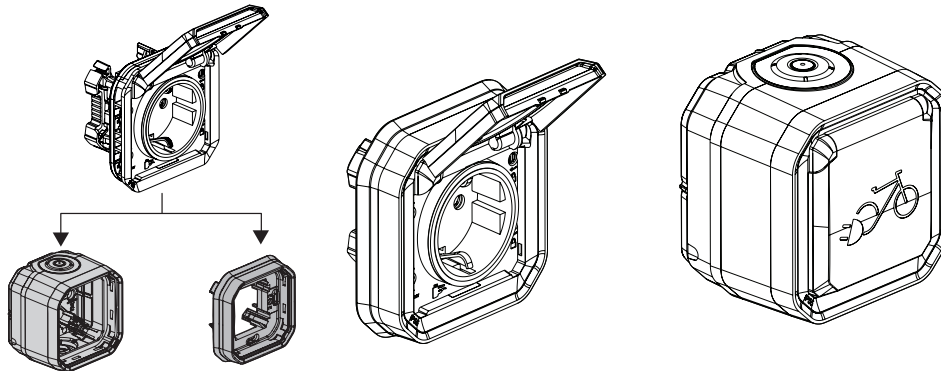


Plexo™

2P+E Schuko socket outlets - E-bike charging

Cat. No(s): 0 697 84L
0 698 86L



1. USE

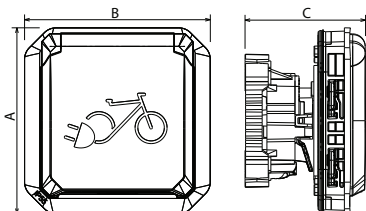
Weatherproof wiring accessory system for residential and professional plant rooms (garages, cellars, car parks, industrial workshops and kitchens) as well as outdoor environments (terraces, gardens, camp sites, etc).
 Socket outlets with protection eclips.
 Socket outlets tamperproof version designed to e-bike charging.

2. RANGE

		References
Configurable		0 698 86L
Flush-mounting complete		0 697 84L

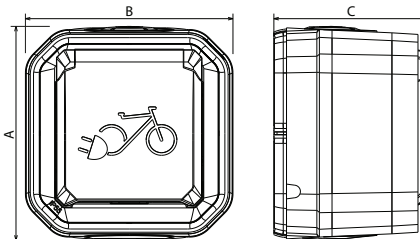
3. OVERALL DIMENSIONS (mm)

■ Configurable



3. OVERALL DIMENSIONS (mm) (continued)

■ Flush-mounting



	A	B	C
Configurable	70.5	70.5	45.75
Flush-mounting	84.5	82	61.55

4. CONNECTION

Type of terminals: automatic
 Terminal capacity: 1.5 mm² - 2.5 mm² (1 or 2 conductors)
 Stripping length: 12 mm

5. TECHNICAL CHARACTERISTICS

■ 5.1 Protection index

Protection against solid and liquid bodies:
 _ IP 55 with flap closed
 _ IP 44 with flap open
 Protection against impact: IK 08

■ 5.2 Material characteristics

Box, support: PP reinforced
 Front plate, flap: ABS
 Entry gland, cover plate: PP + SEBS
 Mechanism: PC
 UV-resistant
 Halogen-free
 Resistance to salt spray: 7 days (168 h)
 Self-extinguishing:
 850°C/30 s for insulating components holding live parts in place.
 650°C/30 s for other insulating components.

5. TECHNICAL CHARACTERISTICS *(continued)*

■ 5.3 Electrical characteristics

Voltage: 250 V~

Current: 16 A

Frequency: 50 Hz

■ 5.4 Climate characteristics

Usage temperature: - 10° à + 40° C

Storage temperature: - 25° C à + 60° C

6. CLEANING

Surface cleaning with a cloth.

Do not use: acetone, tar remover, trichloroethylene.

Maintenance with the following products: Hexane (EN 60669-1), Methylated spirit, Soapy water, Diluted ammonia, Bleach diluted to 10%, Window-cleaning products, Pre-saturated wipes.

Caution: A preliminary test should be carried out if other specific cleaning products are to be used.

7. STANDARDS AND APPROVALS

Compliance with standards of installation and manufacturing.

Refer to e. catalogue.