



Features

- LED exterior surface mounted luminaire, 350mm diameter, 1500lm as max. lumen output, 15W max. power consumption, 100lm/W efficacy, 4000K color temperature, CRI80, IP66, IK10, 60,000 hours (L70), white housing, vandal resistant. DALI and DALI 2 dimming compatibility. Integrated emergency, 3 hours, supplied with anti-theft screws

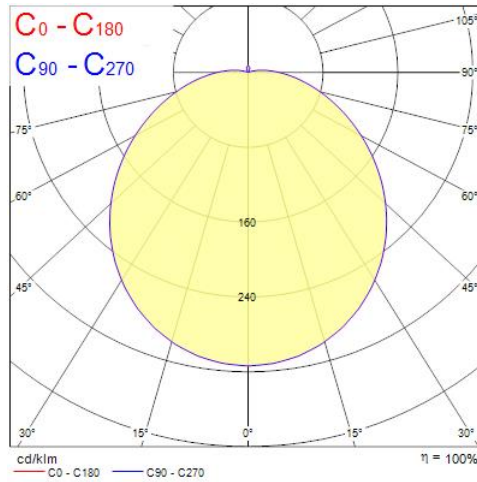
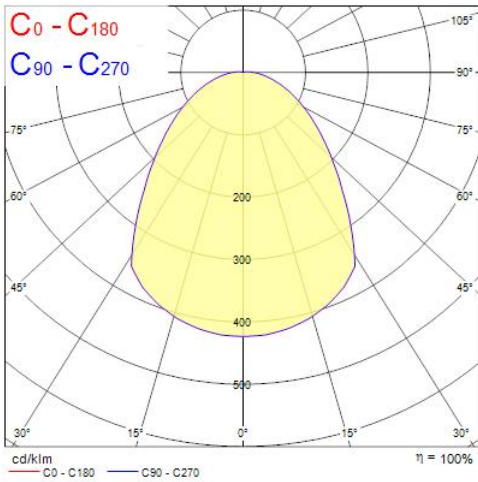
Product Overview

Product name	START SURFACE IP66 1500LM 840 IK10 DALI EM3 WHT
Technology	LED
Cap/Base	N/A
Housing	PC Polycarbonate
Mount	Ceiling surface mounting
Environment	Indoor, Outdoor
Fixture luminous flux (lm)	1500
Luminaire efficacy (lm/W)	89
LOR (%)	100
Colour temperature (K)	4000
Light colour	Neutral White
CRI (Ra)	80
Colour Variation Initial (SDCM)	6
Glare control	< 25
Photobiological Risk Group	RG0
Total power consumption (W)	17
Electrical protection	Class II
Control gear type	LED driver constant current
Control gear mounting	Integrated
LED Flickering Rate	Ultra low (5% or less)
Housing colour	RAL9003

START SURFACE IP66 1500LM 840 IK10 DALI EM3 WHT 0049250

IP rating	IP66
IK rating	IK10
Product EAN number	5410288492506
Warranty	5 years
Colour Code	840

Photometry



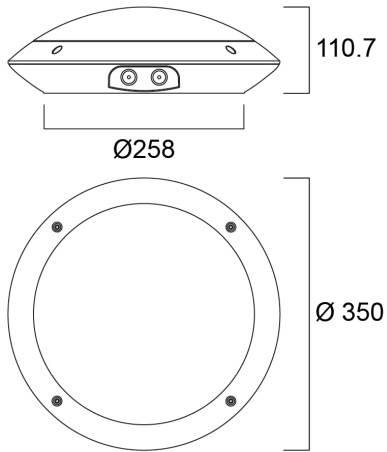
Distance [m]	Cone diameter [m]	E(0°) E(C0)	Illuminance [lx]
0.5	0.97	44.1°	210 39
1.0	1.94	44.1°	53 10
1.5	2.91	44.1°	23 4
2.0	3.88	44.1°	13 2
2.5	4.85	44.1°	8 2
3.0	5.81	44.1°	6 1

Distance [m] Cone diameter [m] Illuminance [lx]
C0 - C180 (Half beam angle: 88.2°)

Distance [m]	Cone diameter [m]	E(0°) E(C0)	Illuminance [lx]
0.5	1.52	56.7°	1945 161
1.0	3.04	56.7°	486 40
1.5	4.57	56.7°	216 18
2.0	6.09	56.7°	122 10
2.5	7.61	56.7°	78 6
3.0	9.13	56.7°	54 4

Distance [m] Cone diameter [m] Illuminance [lx]
C0 - C180 (Half beam angle: 113.4°)

Technical drawings



Data table

GENERAL DATA

Product name	START SURFACE IP66 1500LM 840 IK10 DALI EM3 WHT
Technology	LED
Cap/Base	N/A
Housing	PC Polycarbonate
Mount	Ceiling surface mounting
Environment	Indoor, Outdoor
Operating temperature range (°C)	0°C...+25°C
Performance ambient temperature Tq (°C)	25
Warranty	5 years

OPTICAL DATA

Fixture luminous flux (lm)	1500
Luminaire efficacy (lm/W)	89
LOR (%)	100

START SURFACE IP66 1500LM 840 IK10 DALI EM3 WHT 0049250

Colour temperature (K)	4000
Colour Code	840
Light colour	Neutral White
CRI (Ra)	80
Colour Variation Initial (SDCM)	6
Adjustable chromaticity	N
Glare control	< 25
Photobiological Risk Group	RG0
Lumen maintenance at end of nominal life (%)	70
Emergency duration (h)	3

ELECTRICAL DATA

Total power consumption (W)	17
Primary Supply/Product voltage - min (V)	220
Lamp power factor	1
Electrical protection	Class II
Control gear required	No
Control gear type	LED driver constant current
Control gear mounting	Integrated
Drive current (mA)	350
Inrush Current (A)	5
Inrush Duration (μ s)	50
Energy Efficiency Class (A->G) of contained light source	D
Nominal Frequency (Hz)	50/60Hz
LED Flickering Rate	Ultra low (5% or less)
Max. products per 10A C Breaker	52
Max. products per 20A B Breaker	62
Connectable conductor cross section - Min (mm ²)	0.75
Connectable conductor cross section - Max (mm ²)	2.5

LIFETIME DATA

START SURFACE IP66 1500LM 840 IK10 DALI EM3 WHT 0049250

Lifespan L70 B50	60000
Lifespan L70 B10	60000
Lifespan L80 B50	60000
Lifespan L80 B10	60000
Lifespan L90 B50	42000
Lifespan L90 B10	35000

PHYSICAL DATA

Housing colour	RAL9003
IP rating	IP66
IK rating	IK10
Diffuser finish	Opal
Diffuser material	PC Polycarbonate
Nominal Product Diameter (mm)	350
Weight (kg)	1.1

PACKAGING

Single packaging type	Carton
Product EAN number	5410288492506
Packaging single width (cm)	40.0
Packaging single depth (cm)	11.0
DUN14 (outer)	05410288492506
Packaging outer length / height (cm)	40.0

SAFETY DATA

Special purpose lamp	No
Dry applications use only	No
Suitable for household illumination	No