



Features

- INSET TR SW SQ IP44 INDOOR WH EX-LMP

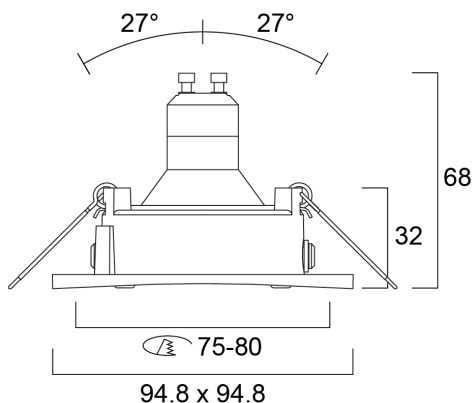


Product Overview

Product name	INSET TR SW SQ IP44 INDOOR WH EX-LMP
Technology	Accessory
Housing	Aluminium
Mount	Ceiling recessed mounting
Environment	Indoor
Photobiological Risk Group	Not applicable
Electrical protection	Class II
Housing colour	White
IP rating	IP44/20
IK rating	IK02
Product EAN number	8711971841043
Warranty	3 years

INSET TR SW SQ IP44 INDOOR WH EX-LMP 3084104

Technical drawings



Data table

GENERAL DATA

Product name	INSET TR SW SQ IP44 INDOOR WH EX-LMP
Technology	Accessory
Housing	Aluminium
Mount	Ceiling recessed mounting
Environment	Indoor
Warranty	3 years

OPTICAL DATA

Photobiological Risk Group	Not applicable
----------------------------	----------------

ELECTRICAL DATA

Primary Supply/Product voltage - min (V)	220
Electrical protection	Class II
Control gear required	No
Glow Wire Test (°C)	650

INSET TR SW SQ IP44 INDOOR WH EX-LMP 3084104

PHYSICAL DATA

Housing colour	White
IP rating	IP44/20
IK rating	IK02
Nominal Product Length (mm)	95
Nominal Product Width (mm)	95
Weight (kg)	0.18

PACKAGING

Product EAN number	8711971841043
Packaging single width (cm)	10.0
Packaging single depth (cm)	8.5
DUN14 (outer)	18711971841040
Packaging outer length / height (cm)	53.0

SAFETY DATA

Special purpose lamp	No
Dry applications use only	No
Suitable for household illumination	No