

MEM Wall valve clockwise closing 1/2" - Chrome

MEM

36 607 782 Product version up to 10/14/2020



- rosette 60 x 60 mm
- head part with cut-to-length spindle and sleeve
- WRAS

	Chrome	36 607 782-00
	Brushed Platinum	36 607 782-06
	Platinum	36 607 782-08
	Dark Chrome	36 607 782-19
	Brushed Light Gold (PVD)	36 607 782-27
	Brushed Durabrass (23kt Gold)	36 607 782-28
	Brushed Dark Brass (PVD)	36 607 782-39
	Brushed Bronze (PVD)	36 607 782-42
	Brushed Dark Bronze (PVD)	36 607 782-43
	Brushed Champagne (22kt Gold)	36 607 782-46
	Champagne (22kt Gold)	36 607 782-47
	Brushed Chrome	36 607 782-93
	Brushed Dark Platinum	36 607 782-99

Required miscellaneous

- Wall valve 1/2" -** 35 607 970 90
- min. recess depth 105 mm
 - max. recess depth 150 mm

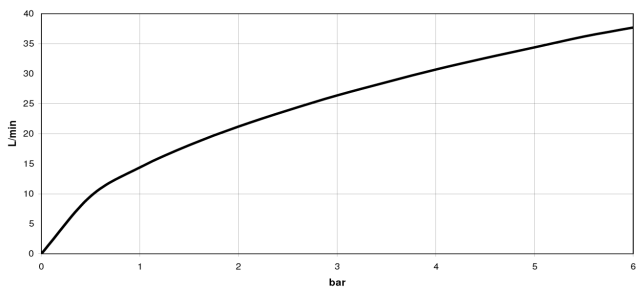


36 607 782 Product version up to 10/14/2020

mm [inches]



Flow rate chart



Codes & Standards

ASME A112.18.1	cUPC	DIN 4109	EN 1111
EN 200	ISO 3822	Scottish Water Byelaws	UK Water Supply Regulations

Ü-Zeichen



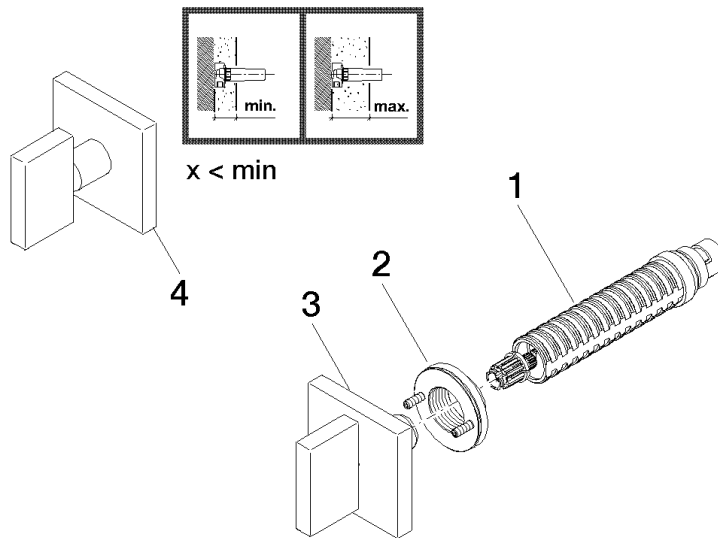
MEM Wall valve clockwise closing 1/2" - Chrome

MEM

36 607 782 Product version up to 10/14/2020

Certificates and sustainability

WRAS_2011	DVGW_DW- 6501DN0	DVGW_DW- 6512DN0	LGA_29	WRAS_2010
LGA_29	IAPMO_4976 (EPD-DOR-20230287 -IBA1-EN Environmental.prod uct-declarat		



Spare parts list

No.	Item Number	Name	Quantity used	Delivery time
1	90 90 03 143 00 90	Head part clockwise closing 1/2" -	1.00	14
4	90 20 78 002 01-00	Handle 60 x 60 x 55 mm - Chrome	1.00	20
3	90 20 78 002 02-00	Handle for wall valve 60 x 60 x 75 mm - Chrome	1.00	14
2	90 21 02 108 00 90	Wall disc complete -	1.00	14