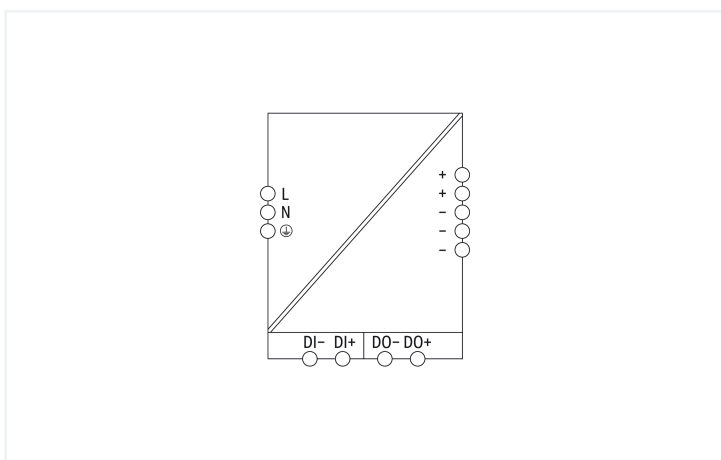


Data Sheet | Item Number: 2787-2144

Power supply; Pro 2; 1-phase; 24 VDC output voltage; 5 A output current; TopBoost + PowerBoost; communication capability

<https://www.wago.com/2787-2144>



Features:

- Power supply with TopBoost, PowerBoost and configurable overload behavior
- Configurable digital signal input and output, optical status indication, function keys
- Communication interface for configuration and monitoring
- Optional connection to IO-Link, EtherNet/IP™, Modbus TCP or Modbus RTU
- Suitable for both parallel and series operation
- Natural convection cooling when horizontally mounted
- Pluggable connection technology
- Electrically isolated output voltage (SELV/PELV) per EN 61010-2-201/UL 61010-2-201
- Marker slot for WAGO marking cards (WMB) and WAGO marking strips

Technical data

Input	
Phases	1
Nominal input voltage $U_{i\text{nom}}$	1 x 100 ... 240 VAC
Input voltage range	1 x 90 ... 264 VAC
Nominal mains frequency range	50 ... 60 Hz
Input current I_i	≤ 1 A (240 VAC; nominal load); ≤ 1.8 A (100 VAC; nominal load)
Inrush current	≤ 9 A (after 1 ms)
Power factor correction (PFC)	Active

Input	
Mains failure hold-up time	≥ 20 ms (230 VAC)

Output

Nominal output voltage $U_{o, nom}$	24 VDC (SELV)
Output voltage range	24 ... 28 VDC (adjustable)
Default Setting	24 VDC
Nominal output current $I_{o, nom}$	5 A (24 VDC)
Nominal output power	120 W
Deviation	≤ 1 %
Residual ripple	≤ 70 mV (peak-to-peak)
Current limitation	1.1 × $I_{o, nom}$ (typ.)
Overload behavior	TopBoost/PowerBoost/Time-limited constant current mode (other overload behaviors can be set)
PowerBoost	7.5 ADC (5 s)
TopBoost	Up to 600 %

Efficiency/Power Losses

Power loss P_1	≤ 1 W (standby); ≤ 2 W (no load); ≤ 10 W (230 VAC; nominal load)
Efficiency (typ.)	93.8 % (230 VAC; 5 A; 25 °C)

Signaling and Communication

Signaling	Optical status indication (DC OK; load; warning and error states) Digital signal input and output (DI/DO)
Communications	USB (750-923 Communication Cable) EtherNet/IP™ (2789-9023 Communication Module) IO-Link (2789-9080 Communication Module) Modbus RTU (Communication Module 2789-9015) Modbus TCP (2789-9052 Communication Module)

Circuit Protection

Internal fuse	T 6.3 A / 250 VAC
Backup fuse (recommended)	16 A (for USA/Canada: 15 A)

Safety and protection

Isolation voltage (pri.-sec., AC)	3510 V
Isolation voltage (pri.-PE, AC)	2200 V
Isolation voltage (sec.-PE)	0.5 kVDC
Isolation voltage (sec.-signal)	0.5 kVDC
Protection class	I
Protection type	IP20; per EN 60529
Resistance to reverse feed	≤ 35 VDC
Overvoltage category	III (≤ 2000 m a.s.l.); II (> 2000 m a.s.l.)
Pollution degree	2
Transient suppression (primary)	Yes
Overvoltage protection; secondary	Internal protective circuit ≤ 35 VDC (in the event of a fault)
Short-circuit-protected	Yes
Open-circuit-proof	Yes
Parallel operation	Yes
Series operation	Yes
MTBF	> 1,000,000 h (per IEC 61709)

Connection Data

Connection 1

Connection type	Input/output/signaling
Connection technology	CAGE CLAMP®
WAGO connector	WAGO 721 Series
Solid conductor	0.08 ... 2.5 mm ² / 28 ... 12 AWG
Fine-stranded conductor	0.08 ... 2.5 mm ² / 28 ... 12 AWG
Fine-stranded conductor; with insulated ferrule	2.5 ... 1.5 mm ² / 12 ... 16 AWG
Fine-stranded conductor; with uninsulated ferrule	1.5 ... 0.08 mm ² / 16 ... 28 AWG
Strip length	8 ... 9 mm / 0.31 ... 0.35 inches

Physical data

Width	35 mm / 1.378 inches
Height	130 mm / 5.118 inches
Depth from upper-edge of DIN-rail	130 mm / 5.118 inches
Note (dimensions)	Height without connector Height with connector: 166 mm

Mechanical data

Mounting type	DIN-35 rail
---------------	-------------

Material data

Fire load	0 MJ
Weight	650 g

Environmental requirements

Ambient temperature (operation)	-25 ... +70 °C (Device starts at -40 °C (type-tested))
Ambient temperature (storage)	-40 ... +85 °C
Relative humidity	5 ... 96 % (no condensation permissible)
Derating	See instruction leaflet
Climatic category	3K3 (per EN 60721)
Operating altitude (max.)	5000 m

Standards and Specifications

Conformity marking	CE
Standards/specifications	EN 61010-1 EN 61010-2-201 EN 61204-3 UL 61010-1 UL 61010-2-201 SEMI F47 UL 121201 (HazLoc)

Commercial data

PU (SPU)	1 pcs
Packaging type	Box
Country of origin	CN
GTIN	4055143907415
Customs tariff number	85044083900

Product Classification


UNSPSC	39121004
ETIM 9.0	EC002540
ETIM 10.0	EC002540
ECCN	NO US CLASSIFICATION

Environmental Product Compliance

RoHS Compliance Status	Compliant, No Exemption
------------------------	-------------------------

Approvals / Certificates


General approvals **Declarations of conformity and manufacturer's declarations**



Approval	Standard	Certificate Name
EAC GZO Almaty Standart	TP TC 004/2011	EAC CoC 03080
EAC GZO Almaty Standart	TP TC 020/2011	EAC CoC 03081
UL Underwriters Laboratories Inc.	UL 61010-2-201	E255817

Approval	Standard	Certificate Name
EU-Declaration of Conformity WAGO GmbH & Co. KG	-	-
MFD for SEMI F47 WAGO GmbH & Co. KG	-	-
UK-Declaration of Conformity WAGO GmbH & Co. KG	-	-

Approvals for hazardous areas



Approval	Standard	Certificate Name
UL Underwriters Laboratories Inc. (HAZARDOUS LOCATIONS)	UL 121201	A-E198726

Downloads

Environmental Product Compliance

Compliance Search

Environmental Product Compliance 2787-2144	↓
--	-------------------

Documentation

Manual

Product Manual Power supply; Pro 2; 1-phase; 24 VDC output voltage; 5 A output current	V 1.2.2 18.02.2022	pdf 7997.98 KB	↓
--	-----------------------	-------------------	-------------------

Bid Text

2787-2144_EUSA	04.07.2019	docx 23.34 KB	↓
2787-2144_EUSA	04.07.2019	xml 7.90 KB	↓
ausschreiben.de 2787-2144			↓

Instruction Leaflet			
WAGO Pro 2 Power Supplies	V 1.1.0 26.04.2021	pdf 4445.43 KB	↓

Application Notes

Application Note e!COCKPIT			
e!COCKPIT Application Note WagoAppPower-Supply (a2019012)	1.1.1 06.12.2021	pdf 707.04 KB	↓

CAD/CAE-Data

CAD data	
2D/3D Models 2787-2144	↓

CAE data	
EPLAN Data Portal 2787-2144	↓
ZUKEN Portal 2787-2144	↓

Runtime Software

Firmware			
2787-2144, Stromversorgung; Pro 2	V 010513 13.10.2021	zip 1087.50 KB	↓

1 Compatible Products

1.1 Product Expansions

1.1.1 Communication Module



[Item No.: 2789-9023](#)
Communication module; EtherNet/IP; MQTT Pub/Sub; communication capability

[Item No.: 2789-9080](#)
Communication module; IO-Link; communication capability

[Item No.: 2789-9015](#)
Communication module; Modbus RTU; RJ45; communication capability

[Item No.: 2789-9052](#)
Communication module; Modbus TCP; communication capability

1.2 Optional Accessories

1.2.1 Cables and connectors

1.2.1.1 Communication cable



[Item No.: 750-923/000-001](#)
Configuration cable; USB connector; Length: 5 m

1.2.3 Marking

1.2.3.1 Marker



Item No.: 2009-115

WMB-Inline; for Smart Printer; 1500 pieces on roll; stretchable 5 - 5.2 mm; plain; snap-on type; white

1.2.3.2 Marker carrier



Item No.: 2789-1233

Marker carrier; for WMB or marking strips; Length: 33 mm

1.2.3.3 Marking strip



Item No.: 2009-110

Marking strips; for Smart Printer; on reel; not stretchable; plain; snap-on type; white

1.2.4 Tool

1.2.4.1 Operating tool



Item No.: 210-720

Operating tool; Blade: 3.5 x 0.5 mm; with a partially insulated shaft; multicoloured



Item No.: 210-721

Operating tool; Blade: 5.5 x 0.8 mm; with a partially insulated shaft; multicoloured