

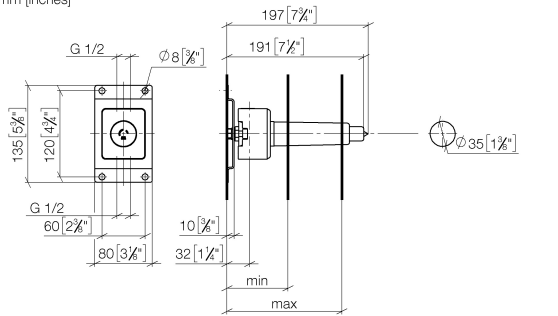
35 607 970 90



- red brass, lead-free
- female thread 1/2" connection
- 1x female thread 1/2" outlet
- dust cover
- anti-water packing
- soundproofing
- suitable for xGRID (when using installation track + 12 mm recess depth)
- WRAS

35 607 970 90

mm [inches]



	min	max
CL_2	73 [2 7/8"]	146 [5 3/4"]
Madison	75 [3"]	145 [5 3/4"]
Madison Flair	75 [3"]	145 [5 3/4"]
Lulu	75 [3"]	145 [5 3/4"]
Vaia	75 [3"]	145 [5 3/4"]
Symetrics	75 [3"]	145 [5 3/4"]
Tara	85 [3 3/8"]	145 [5 3/4"]
Deque	85 [3 3/8"]	145 [5 3/4"]
CL_1	105 [4 1/8"]	150 [5 7/8"]
Mem	105 [4 1/8"]	150 [5 7/8"]

Codes & Standards

EN 200

Scottish Water
Byelaws

UK Water Supply
Regulations

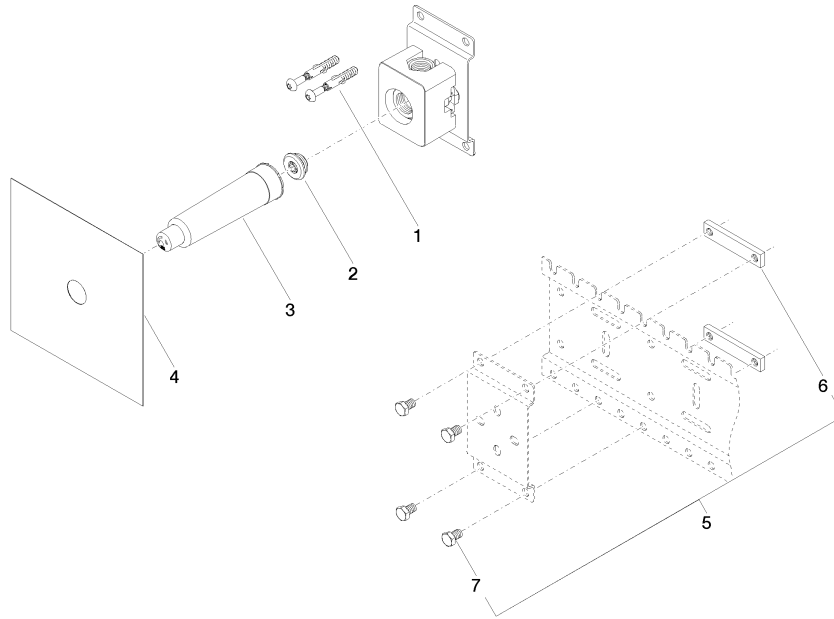
Certificates and sustainability

DVGW_DW-
6501DN0

WRAS_2010

EPD-DOR-20230287
-IBA1-EN
Environmental.prod
uct-declarat

35 607 970 90



Spare parts list

No.	Item Number	Name	Quantity used	Delivery time
6	09 17 20 100 90	Mounting 76 x 16 x 6 mm -	2.00	-
Spare part can no longer be ordered, please order the replacement item				
4	04 14 03 072 01 90	Washer for wall valve Packing -	1.00	14
1	04 30 31 024 01 90	Attachment set Wood screw with dowel 6 x 40 mm -	2.00	14
2	04 31 20 006 00 90	Plug 1/2" -	1.00	14
5	04 17 20 100 00 90	Attachment set 32 x 18 x 76 mm -	1.00	14
7	09 30 30 152 90	Mounting Hexagonal bolt with thread as far as head M8 x 12 mm -	4.00	14
3	90 21 02 190 00 90	Waterproofing cover for wall valve Ø 37 x 149 mm -	1.00	14