



## Features

- Perfect for decorative and general lighting applications and creates a warm ambiance similar to traditional lamps Same look, size and functionality as incandescent lamps Omni-directional light distribution Suitable replacement for incandescent and halogen lamps Gives same sparkling light effect as incandescent lamp Dimensionally identical to incandescent lamps - fits all fixtures Environment friendly - no mercury and lower CO2 emissions Dimmable with approved dimmers

## Product Overview

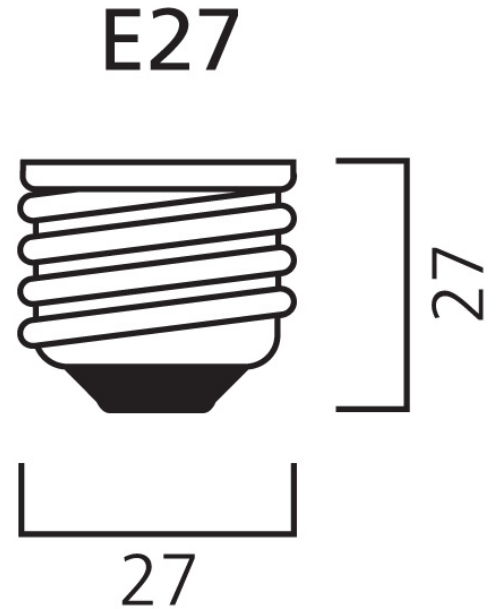
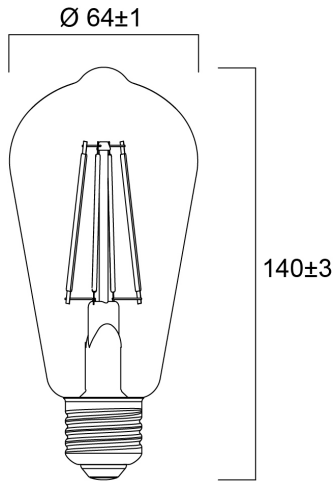
Product name	ToLEDo RT ST64 V5 CL DIM 806LM 827 E27 SL
Technology	LED
Watt (Rated) (W)	7
Fixture rating	Open
General application	Hospitality, Residential & Consumer
ETIM Class	EC001959
E-number FI	4740896
Correlated colour temperature (k)	2700
Light colour	Homelight
CRI (Ra)	80
Colour Variation Initial (SDCM)	6
Photobiological Risk Group	RG1
Wattage (W)	7
Power consumption (W)	7
Dimmable	Yes
Average life (Nominal) (h)	15000
Product EAN number	5410288293097
Warranty	3 years

ToLEDo RT ST64 V5 CL DIM 806LM 827 E27 SL  
0029309

Useful luminous flux (#use)

806

## Technical drawings



## Data table

### GENERAL DATA

Product name	ToLEDo RT ST64 V5 CL DIM 806LM 827 E27 SL
Technology	LED
Watt (Rated) (W)	7
Fixture rating	Open
General application	Hospitality, Residential & Consumer
Operating temperature range (°C)	-10°C...+45°C
Performance ambient temperature Tq (°C)	25
ETIM Class	EC001959
E-number FI	4740896
Warranty	3 years

## OPTICAL DATA

Useful luminous flux (#use)	806
Luminous flux (Rated) (lm)	806
Correlated colour temperature (k)	2700
Light colour	Homelight
CRI (Ra)	80
Colour Variation Initial (SDCM)	6
Photobiological Risk Group	RG1
Lumen maintenance at end of nominal life (%)	70

## ELECTRICAL DATA

Power consumption (W)	7
Wattage (W)	7
Equivalent watt (W)	60
Primary Supply/Product voltage - min (V)	220
Primary Supply/Product voltage - max (V)	240
Control gear required	No
No. Of switching cycles before premature failures	>50000
Dimmable	Yes
Inrush Current (A)	1.5
Inrush Duration ( $\mu$ s)	520
Lamp Energy Label (class)	E
Max. products per 16A C Breaker	106
Max. products per 16A B Breaker	54

## LIFETIME DATA

Lifespan L70 B50	15000
Average life (Nominal) (h)	15000
Average life (Rated) (h)	15000

## PHYSICAL DATA

ToLEDo RT ST64 V5 CL DIM 806LM 827 E27 SL  
0029309

Nominal Product Length (mm)	140
Nominal Product Diameter (mm)	64
Weight (kg)	0.058

## PACKAGING

Product EAN number	5410288293097
Packaging single length / height (cm)	15.2
Packaging single width (cm)	7.0
Packaging single depth (cm)	7.0
DUN14 (inner)	15410288293094
Units per outer package	6
Packaging outer length / height (cm)	21.8
Packaging outer width (cm)	14.7
Packaging outer depth (cm)	16.2

## SAFETY DATA

Optimal operating condition (°C)	-10-45
Breakage cleaning instructions	Not applicable
Special purpose lamp	No
Dry applications use only	Yes
Suitable for household illumination	Yes
Safety message	Not Suitable for totally enclosed fixtures

# SYLVANIA

ToLEDo RT ST64 V5 CL DIM 806LM 827 E27 SL  
0029309

## Energy label



0029309



7  
kWh/1000h



2019/2015



0029309



7  
kWh/1000h



2019/2015