

Rainshower with wall fixing 400 mm - Chrome

SERIES SPECIFIC

28 659 970 Product version from 3/13/2017



- rain shower Ø 400 mm
- Rain shower material: metal
- PURE RAIN, max. flow rate 20 l/min (at 3 bar)
- Function from: 12 l/min
- with anti-scale system

Technical data:

- 450mm projection
- rosette Ø 60 mm
- 1/2" connection

Notes:

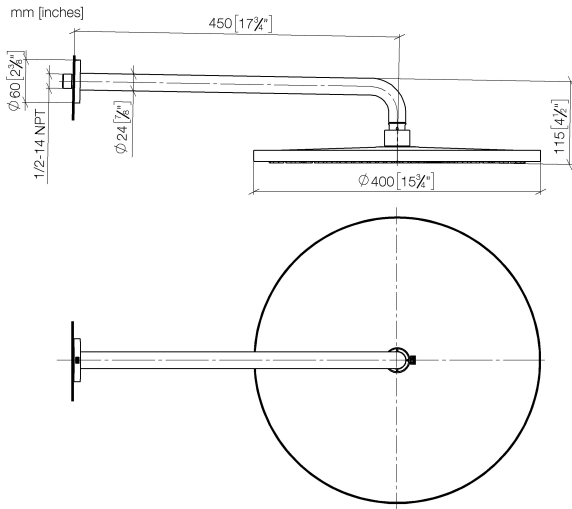
	Chrome	28 659 970-00
	Brushed Platinum	28 659 970-06
	Platinum	28 659 970-08
	Dark Chrome	28 659 970-19
	Light Gold (PVD)	28 659 970-26
	Brushed Light Gold (PVD)	28 659 970-27
	Brushed Durabrass (23kt Gold)	28 659 970-28
	Matte Black	28 659 970-33
	Brushed Gold (PVD)	28 659 970-37
	Brushed Dark Brass (PVD)	28 659 970-39
	Brushed Bronze (PVD)	28 659 970-42
	Brushed Dark Bronze (PVD)	28 659 970-43
	Brushed Champagne (22kt Gold)	28 659 970-46
	Champagne (22kt Gold)	28 659 970-47
	Brushed Chrome	28 659 970-93
	Brushed Dark Platinum	28 659 970-99

Recommended miscellaneous

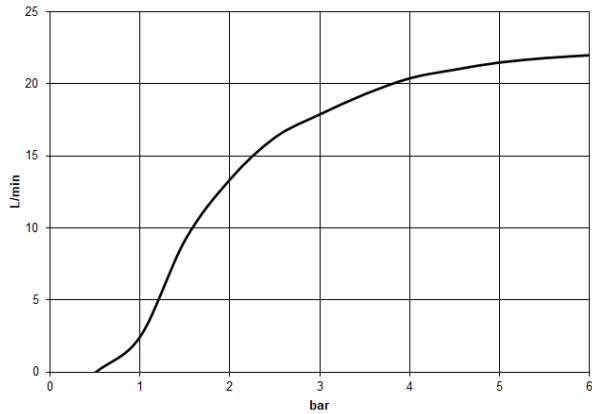


- Concealed wall elbow -** 35 085 970 90
- min. recess depth 90 mm
 - max. recess depth 163 mm

28 659 970 Product version from 3/13/2017



Flow rate chart



Codes & Standards

DIN 4109

EN 1112

ISO 3822

Scottish Water
Byelaws

UK Water Supply
Regulations

Ü-Zeichen



Rainshower with wall fixing 400 mm - Chrome

SERIES SPECIFIC

28 659 970 Product version from 3/13/2017

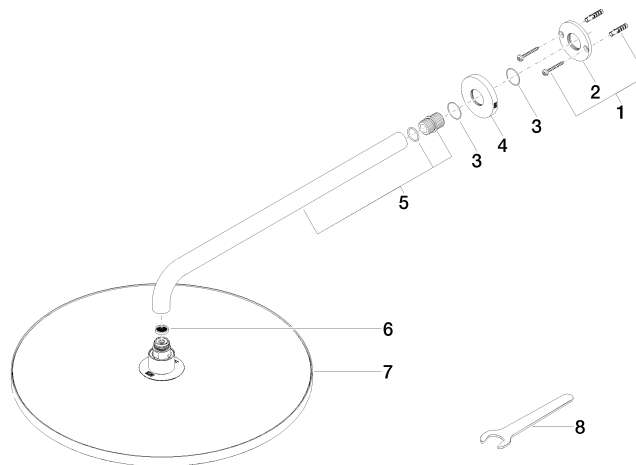
Certificates and sustainability

LGA_29

LGA_29

DVGW_DW-
6517DN0

WRAS_2212



Spare parts list

No.	Item Number	Name	Quantity used	Delivery time
7	90 12 05 090 00-00	Rainshower round Ø 400 mm - Chrome	1.00	20
2	09 17 20 120 90	Connection Ø 56,50 x 5 mm -	1.00	14
8	90 30 09 069 00 90	Spanner -	1.00	14
1	04 30 31 032 00 90	Attachment set Bolt 4 x 35 mm -	1.00	14
4	09 27 97 015-00	Rosette DB logo Ø 60 x 9 mm - Chrome	1.00	20
3	09 14 10 150 90	O-Ring 23 x 1,5 mm -	2.00	14
6	09 23 01 075 90	Sieve seal Ø 18 x 3,5 mm -	1.00	14
5	90 11 03 070 00-00	Pipe 462 x 61 x 24 mm - Chrome	1.00	20