

**Concealed single-lever mixer with cover plate - Chrome**

**SERIES SPECIFIC**

36 060 670 Product version from 6/1/2024



- cover plate 80 x 80 mm
- WRAS

	Chrome	36 060 670-00
	Brushed Platinum	36 060 670-06
	Platinum	36 060 670-08
	Dark Chrome	36 060 670-19
	Brushed Light Gold (PVD)	36 060 670-27
	Brushed Durabrass (23kt Gold)	36 060 670-28
	Matte Black	36 060 670-33
	Brushed Gold (PVD)	36 060 670-37
	Brushed Dark Brass (PVD)	36 060 670-39
	Brushed Bronze (PVD)	36 060 670-42
	Brushed Dark Bronze (PVD)	36 060 670-43
	Brushed Champagne (22kt Gold)	36 060 670-46
	Champagne (22kt Gold)	36 060 670-47
	Brushed Chrome	36 060 670-93
	Brushed Dark Platinum	36 060 670-99

**Required miscellaneous**

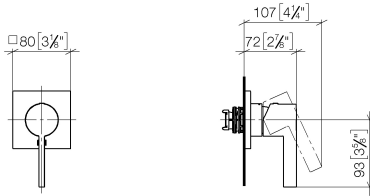


**Concealed wall-mounted single-lever mixer -** 35 860 970 90

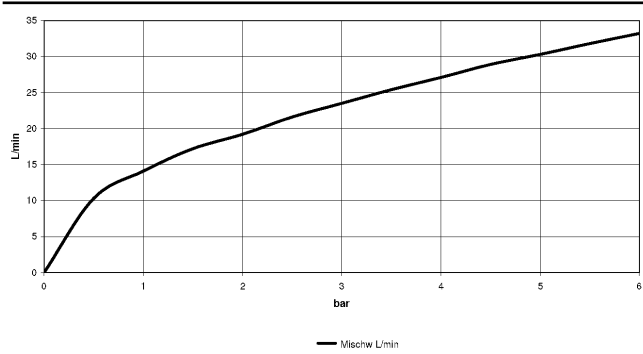
- min. recess depth 75 mm
- max. recess depth 95 mm

36 060 670 Product version from 6/1/2024

mm [inches]



**Flow rate chart**



**Codes & Standards**

DIN 4109

ISO 3822

Scottish Water  
Byelaws

UK Water Supply  
Regulations

**Ü-Zeichen**



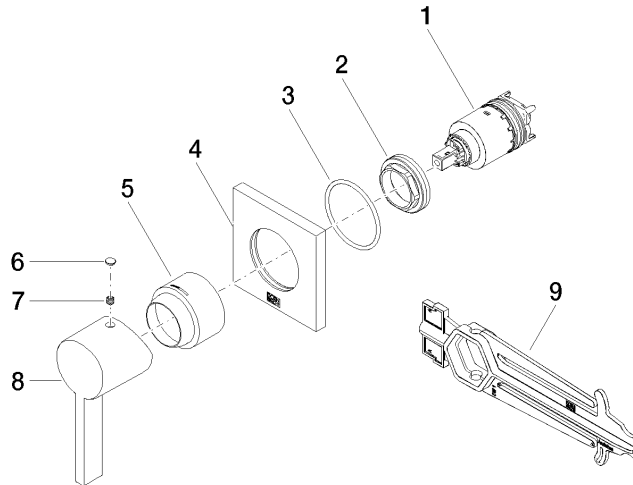
## Concealed single-lever mixer with cover plate - Chrome

SERIES SPECIFIC

36 060 670 Product version from 6/1/2024

### Certificates and sustainability

LGA_29	WRAS_2107	EPD-DOR-20230287 -IBA1-EN Environmental.prod uct-declarat
--------	-----------	--



### Spare parts list

No.	Item Number	Name	Quantity used	Delivery time
	5 09 11 02 530-00	Cover Ø 45 x 34,5 mm - Chrome	1.00	20
	3 90 14 10 049 00 90	O-Ring 45,69 x 2,62 mm -	1.00	14
	2 09 24 04 105 90	Mounting Ø 40 x 12 mm -	1.00	14
	8 09 20 67 004-00	Handle Lever 45 x 46 x 116 mm - Chrome	1.00	20
	4 09 27 78 048-00	Rosette for mixer 80 x 80 x 9 mm - Chrome	1.00	20
	7 90 31 11 112 00 90	Mounting Threaded pin M5 x 6 mm -	1.00	14
	1 90 15 05 064 01 90	Single-lever mixer cartridge with adapter plate incl. installation spanner Ø 35 mm x 58,6 mm -	1.00	-
	Spare part can no longer be ordered, please order the replacement item			
	9015050460190	Single-lever mixer cartridge with cartridge insert , torque wrench Ø 35 mm x 58,6 mm -		
	6 90 31 20 087 00-00	Plug with O-ring Ø 7 x 2,1 mm - Chrome	1.00	20
	9 90 30 09 064 00 90	Spanner for cartridge nut -	1.00	14