



## Features

- Perfect for decorative and general lighting applications and creates a warm ambiance similar to traditional lamps Same look, size and functionality as incandescent lamps Omni-directional light distribution Suitable replacement for incandescent and halogen lamps Gives same sparkling light effect as incandescent lamp Dimensionally identical to incandescent lamps - fits all fixtures Environment friendly - no mercury and lower CO2 emissions

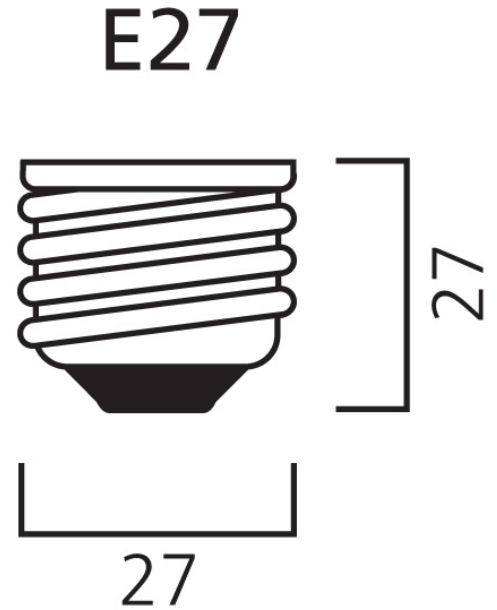
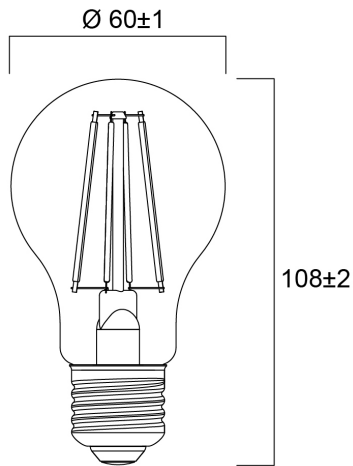
## Product Overview

Product name	ToLEDo RT GLS V5 CL 1055LM 840 E27 SL
Technology	LED
Watt (Rated) (W)	8
Cap/Base	E27
Fixture rating	Open
General application	Hospitality, Residential & Consumer
ETIM Class	EC001959
E-number FI	4740914
Correlated colour temperature (k)	4000
Light colour	Cool White
CRI (Ra)	80
Colour Variation Initial (SDCM)	6
Photobiological Risk Group	RG1
Wattage (W)	8
Power consumption (W)	8
Dimmable	No
Average life (Nominal) (h)	15000
Product EAN number	5410288293325

ToLEDo RT GLS V5 CL 1055LM 840 E27 SL  
0029332

Warranty	3 years
Useful luminous flux (#use)	1055

## Technical drawings



## Data table

### GENERAL DATA

Product name	ToLEDo RT GLS V5 CL 1055LM 840 E27 SL
Technology	LED
Watt (Rated) (W)	8
Cap/Base	E27
Fixture rating	Open
General application	Hospitality, Residential & Consumer
Operating temperature range (°C)	-20°C...+40°C
Performance ambient temperature Tq (°C)	25
ETIM Class	EC001959

ToLEDo RT GLS V5 CL 1055LM 840 E27 SL  
0029332

E-number FI	4740914
Warranty	3 years

## OPTICAL DATA

Useful luminous flux (#use)	1055
Luminous flux (Rated) (lm)	1055
Correlated colour temperature (k)	4000
Light colour	Cool White
CRI (Ra)	80
Colour Variation Initial (SDCM)	6
Photobiological Risk Group	RG1
Lumen maintenance at end of nominal life (%)	70

## ELECTRICAL DATA

Power consumption (W)	8
Wattage (W)	8
Equivalent watt (W)	75
Primary Supply/Product voltage - min (V)	220
Primary Supply/Product voltage - max (V)	240
Lamp power factor	0.55
Control gear required	Yes
No. Of switching cycles before premature failures	>50000
Dimmable	No
Inrush Current (A)	4.36
Inrush Duration ( $\mu$ s)	150
Lamp Energy Label (class)	E
Nominal Frequency (Hz)	50/60Hz
Max. products per 16A C Breaker	37
Max. products per 16A B Breaker	18

## LIFETIME DATA

Lifespan L70 B50	15000
------------------	-------

## ToLEDo RT GLS V5 CL 1055LM 840 E27 SL 0029332

Average life (Nominal) (h)	15000
Average life (Rated) (h)	15000

### PHYSICAL DATA

Nominal Product Length (mm)	108
Nominal Product Diameter (mm)	60
Weight (kg)	0.03

### PACKAGING

Product EAN number	5410288293325
Packaging single length / height (cm)	6.6
Packaging single width (cm)	6.6
Packaging single depth (cm)	12.0
DUN14 (inner)	15410288293322
Units per outer package	6
Packaging outer length / height (cm)	20.6
Packaging outer width (cm)	14.0
Packaging outer depth (cm)	13.0

### SAFETY DATA

Optimal operating condition (°C)	-20-40
Breakage cleaning instructions	Not applicable
Special purpose lamp	No
Dry applications use only	Yes
Suitable for household illumination	Yes
Safety message	Not Suitable for totally enclosed fixtures

# SYLVANIA

ToLEDo RT GLS V5 CL 1055LM 840 E27 SL  
0029332

## Energy label



0029332



8  
kWh/1000h



2019/2015



0029332



8  
kWh/1000h



2019/2015

Light your world