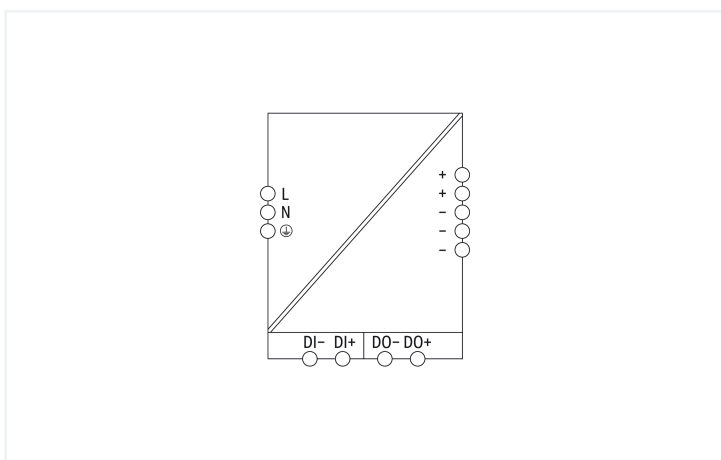


# Data Sheet | Item Number: 2787-2135

Power supply; Pro 2; 1-phase; 12 VDC output voltage; 15 A output current; Top-Boost + PowerBoost; communication capability

<https://www.wago.com/2787-2135>



## Features:

- Power supply with TopBoost, PowerBoost and configurable overload behavior
- Configurable digital signal input and output, optical status indication, function keys
- Communication interface for configuration and monitoring
- Optional connection to IO-Link, EtherNet/IP™, Modbus TCP or Modbus RTU
- Suitable for both parallel and series operation
- Natural convection cooling when horizontally mounted
- Pluggable connection technology
- Electrically isolated output voltage (SELV/PELV) per EN 61010-2-201/UL 61010-2-201
- Marker slot for WAGO marking cards (WMB) and WAGO marking strips

## Technical data

Input	
Phases	1
Nominal input voltage $U_{i\text{nom}}$	1 x 100 ... 240 VAC
Input voltage range	1 x 90 ... 264 VAC
Nominal mains frequency range	50 ... 60 Hz
Input current $I_i$	≤ 2 A (240 VAC; nominal load)
Inrush current	≤ 12 A (after 1 ms)
Power factor correction (PFC)	Active

Input	
Mains failure hold-up time	≥ 40 ms (230 VAC)

## Output

Nominal output voltage $U_{o,nom}$	12 VDC (SELV)
Default Setting	12 VDC
Nominal output current $I_{o,nom}$	15 A (12 VDC)
Nominal output power	180 W
Deviation	$\leq 1 \%$
Residual ripple	$\leq 70$ mV (peak-to-peak)
Current limitation	$1.1 \times I_{o,nom}$ (typ.)
Overload behavior	TopBoost/PowerBoost/Time-limited constant current mode (other overload behaviors can be set)
PowerBoost	22.5 ADC (5 s)
TopBoost	Up to 600 %

## Efficiency/Power Losses

Power loss $P_I$	$\leq 0.8$ W (standby); $\leq 2.3$ W (no load); $\leq 14$ W (230 VAC; nominal load)
Efficiency (typ.)	95.3 %

## Signaling and Communication

Signaling	Optical status indication (DC OK; load; warning and error states) Digital signal input and output (DI/DO)
Communications	USB (750-923 Communication Cable) EtherNet/IP™ (2789-9023 Communication Module) IO-Link (2789-9080 Communication Module) Modbus RTU (Communication Module 2789-9015) Modbus TCP (2789-9052 Communication Module)

## Circuit Protection

Internal fuse	T 6.3 A / 250 VAC
Backup fuse (recommended)	16 A (for USA/Canada: 15 A)

## Safety and protection

Isolation voltage (pri.-sec., AC)	3510 V
Isolation voltage (pri.-PE, AC)	2200 V
Isolation voltage (sec.-PE)	0.5 kVDC
Isolation voltage (sec.-signal)	0.5 kVDC
Protection class	I
Protection type	IP20; per EN 60529
Overvoltage category	III ( $\leq 2000$ m a.s.l.); II ( $> 2000$ m a.s.l.)
Pollution degree	2
Transient suppression (primary)	Yes
Short-circuit-protected	Yes
Open-circuit-proof	Yes
Parallel operation	Yes
Series operation	Yes
MTBF	$> 1,200,000$ h (per IEC 61709)

## Connection Data

### Connection 1

Connection type	Input/output/signaling
Connection technology	CAGE CLAMP®
WAGO connector	WAGO 721 Series
Solid conductor	0.08 ... 2.5 mm <sup>2</sup> / 28 ... 12 AWG
Fine-stranded conductor	0.08 ... 2.5 mm <sup>2</sup> / 28 ... 12 AWG
Fine-stranded conductor; with insulated ferrule	2.5 ... 1.5 mm <sup>2</sup> / 12 ... 16 AWG
Fine-stranded conductor; with uninsulated ferrule	1.5 ... 0.08 mm <sup>2</sup> / 16 ... 28 AWG
Strip length	8 ... 9 mm / 0.31 ... 0.35 inches

### Physical data

Width	70 mm / 2.756 inches
Height	130 mm / 5.118 inches
Depth from upper-edge of DIN-rail	130 mm / 5.118 inches
Note (dimensions)	Height without connector Height with connector: 166 mm

### Mechanical data

Mounting type	DIN-35 rail
---------------	-------------

### Material data

Fire load	0 MJ
Weight	1000 g

### Environmental requirements

Ambient temperature (operation)	-25 ... +70 °C (Device starts at -40 °C (type-tested))
Ambient temperature (storage)	-40 ... +85 °C
Relative humidity	5 ... 96 % (no condensation permissible)
Derating	See instruction leaflet
Climatic category	3K3 (per EN 60721)
Operating altitude (max.)	5000 m

### Standards and Specifications

Conformity marking	CE
Standards/specifications	EN 61010-1 EN 61010-2-201 EN 61204-3 UL 61010-1 UL 61010-2-201 SEMI F47 UL 121201 (HazLoc)

### Commercial data

PU (SPU)	1 pcs
Packaging type	Box
Country of origin	CN
GTIN	4066966121377
Customs tariff number	85044083900

### Product Classification

UNSPSC	39121004
ETIM 9.0	EC002540
ETIM 10.0	EC002540
ECCN	NO US CLASSIFICATION

**Environmental Product Compliance**

RoHS Compliance Status	Compliant, No Exemption
------------------------	-------------------------

**Approvals / Certificates**

**General approvals** **Declarations of conformity and manufacturer's declarations**



Approval	Standard	Certificate Name
EAC GZO Almaty Standart	TP TC 004/2011	EAC CoC 03080
EAC GZO Almaty Standart	TP TC 020/2011	EAC CoC 03081
UL Underwriters Laboratories Inc.	UL 61010-2-201	E255817

Approval	Standard	Certificate Name
EU-Declaration of Conformity WAGO GmbH & Co. KG	-	-
MFD for SEMI F47 WAGO GmbH & Co. KG	-	-

**Approvals for hazardous areas**



Approval	Standard	Certificate Name
UL Underwriters Laboratories Inc. (HAZARDOUS LOCATIONS)	UL 121201	E198726

**Downloads**

**Environmental Product Compliance**

Compliance Search	
Environmental Product Compliance 2787-2135	<a href="#">↓</a>

**Documentation**

Manual			
Product Manual Power supply; Pro 2; 1-phase; 12 VDC output voltage; 15 A output current;	V 1.0.2 18.02.2022	pdf 8158.38 KB	<a href="#">↓</a>

Bid Text			
2787-2135	11.05.2022	xml 8.66 KB	<a href="#">↓</a>
2787-2135	11.05.2022	docx 32.29 KB	<a href="#">↓</a>

## Instruction Leaflet

Power supply; Pro 2; 1-phase; 12 VDC output voltage; 15 A output current;	V 1.0.0 03.05.2021	pdf 4316.21 KB	
---	-----------------------	-------------------	---


## Application Notes

### Application Note e!COCKPIT

e!COCKPIT Application Note WagoAppPower-Supply (a2019012)	1.1.1 06.12.2021	pdf 707.04 KB	
---	---------------------	------------------	---


## CAD/CAE-Data

### CAD data

2D/3D Models 2787-2135	
---------------------------	---

## Runtime Software

### Firmware

2787-2135, Stromversorgung; Pro 2	V 010513 13.10.2021	zip 987.13 KB	
-----------------------------------	------------------------	------------------	---

## 1 Compatible Products

### 1.1 Product Expansions

#### 1.1.1 Communication Module



##### [Item No.: 2789-9023](#)

Communication module; EtherNet/IP; MQTT Pub/Sub; communication capability

##### [Item No.: 2789-9080](#)

Communication module; IO-Link; communication capability

##### [Item No.: 2789-9015](#)

Communication module; Modbus RTU; RJ45; communication capability

##### [Item No.: 2789-9052](#)

Communication module; Modbus TCP; communication capability

### 1.2 Optional Accessories

#### 1.2.1 Marking

##### 1.2.1.1 Marker carrier



##### [Item No.: 2789-1233](#)

Marker carrier; for WMB or marking strips; Length: 33 mm