



Features

- Perfect for decorative and general lighting applications and creates a warm ambiance similar to traditional lamps Same look, size and functionality as incandescent lamps Omni-directional light distribution Suitable replacement for incandescent and halogen lamps Gives same sparkling light effect as incandescent lamp Dimensionally identical to incandescent lamps - fits all fixtures Environment friendly - no mercury and lower CO2 emissions

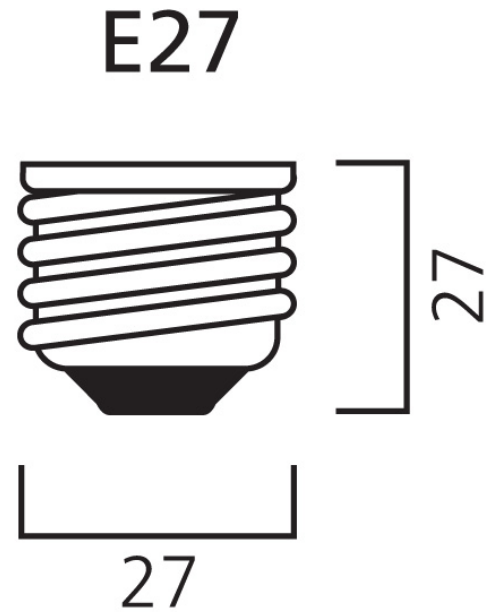
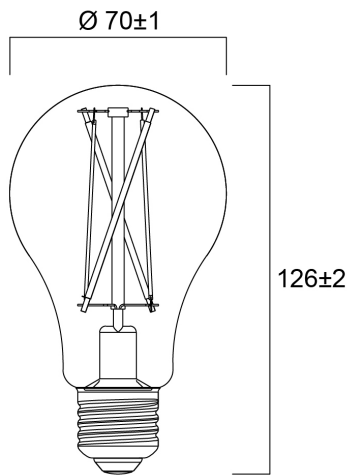
Product Overview

Product name	ToLEDo RT GLS V5 ST 1521LM 827 E27 SL
Technology	LED
Watt (Rated) (W)	11
Cap/Base	E27
Fixture rating	Open
General application	Hospitality, Residential & Consumer
ETIM Class	EC001959
E-number FI	4740920
Correlated colour temperature (k)	2700
Light colour	Homelight
CRI (Ra)	80
Colour Variation Initial (SDCM)	6
Photobiological Risk Group	RG1
Wattage (W)	11
Power consumption (W)	11
Dimmable	No
Average life (Nominal) (h)	15000
Product EAN number	5410288293417

ToLEDo RT GLS V5 ST 1521LM 827 E27 SL 0029341

Warranty	3 years
Useful luminous flux (#use)	1521

Technical drawings



Data table

GENERAL DATA

Product name	ToLEDo RT GLS V5 ST 1521LM 827 E27 SL
Technology	LED
Watt (Rated) (W)	11
Cap/Base	E27
Fixture rating	Open
General application	Hospitality, Residential & Consumer
Operating temperature range (°C)	-20°C...+40°C
Performance ambient temperature Tq (°C)	25
ETIM Class	EC001959

ToLEDo RT GLS V5 ST 1521LM 827 E27 SL
0029341

E-number FI	4740920
Warranty	3 years

OPTICAL DATA

Useful luminous flux (#use)	1521
Luminous flux (Rated) (lm)	1521
Correlated colour temperature (k)	2700
Light colour	Homelight
CRI (Ra)	80
Colour Variation Initial (SDCM)	6
Photobiological Risk Group	RG1
Lumen maintenance at end of nominal life (%)	70

ELECTRICAL DATA

Power consumption (W)	11
Wattage (W)	11
Equivalent watt (W)	100
Primary Supply/Product voltage - min (V)	220
Primary Supply/Product voltage - max (V)	240
Control gear required	No
No. Of switching cycles before premature failures	>50000
Dimmable	No
Inrush Current (A)	5.93
Inrush Duration (μ s)	180
Lamp Energy Label (class)	D
Nominal Frequency (Hz)	50/60Hz
Max. products per 16A C Breaker	27
Max. products per 16A B Breaker	13

LIFETIME DATA

Lifespan L70 B50	15000
Average life (Nominal) (h)	15000

ToLEDo RT GLS V5 ST 1521LM 827 E27 SL
0029341

Average life (Rated) (h)	15000
--------------------------	-------

PHYSICAL DATA

Nominal Product Length (mm)	126
Nominal Product Diameter (mm)	70
Weight (kg)	0.046

PACKAGING

Product EAN number	5410288293417
Packaging single length / height (cm)	7.5
Packaging single width (cm)	7.5
Packaging single depth (cm)	14.0
DUN14 (inner)	15410288293414
Units per outer package	6
Packaging outer length / height (cm)	23.9
Packaging outer width (cm)	16.1
Packaging outer depth (cm)	15.5

SAFETY DATA

Optimal operating condition (°C)	-20-40
Breakage cleaning instructions	Not applicable
Special purpose lamp	No
Dry applications use only	Yes
Suitable for household illumination	Yes
Safety message	Not Suitable for totally enclosed fixtures

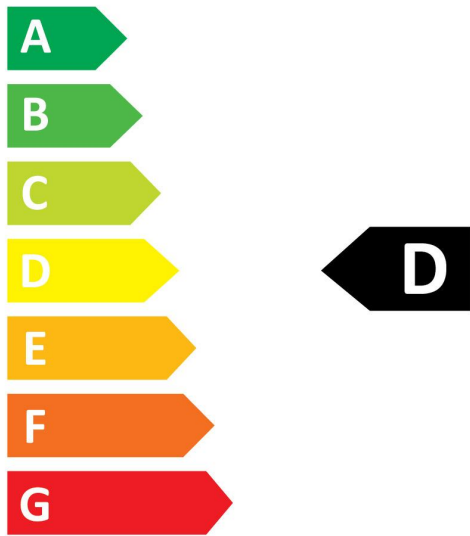
SYLVANIA

ToLEDo RT GLS V5 ST 1521LM 827 E27 SL
0029341

Energy label



0029341



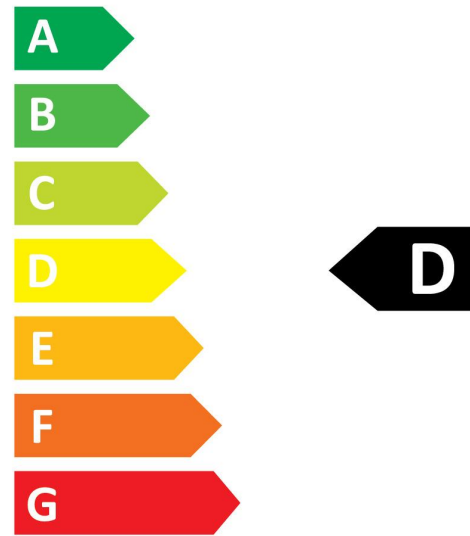
11
kWh/1000h



2019/2015



0029341



11
kWh/1000h



2019/2015