


36 607 809 Product version from 4/1/2024



- rosette Ø 60 mm
- head part with cut-to-length spindle and sleeve
- WRAS

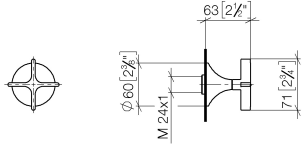
	Brushed Platinum	36 607 809-06
	Chrome	36 607 809-00
	Platinum	36 607 809-08
	Dark Chrome	36 607 809-19
	Brushed Durabronze (23kt Gold)	36 607 809-28
	Brushed Dark Brass (PVD)	36 607 809-39
	Brushed Bronze (PVD)	36 607 809-42
	Brushed Dark Bronze (PVD)	36 607 809-43
	Brushed Champagne (22kt Gold)	36 607 809-46
	Champagne (22kt Gold)	36 607 809-47
	Brushed Dark Platinum	36 607 809-99

Required miscellaneous

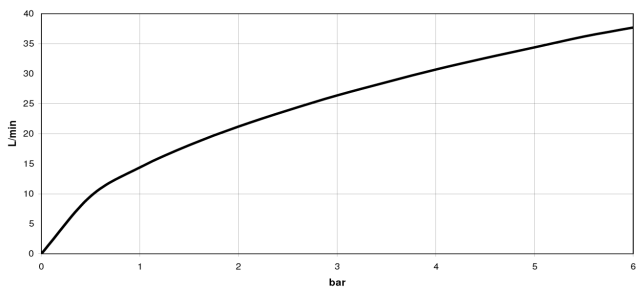
	<b>Wall valve 1/2" -</b> •min. recess depth 75 mm •max. recess depth 145 mm	35 607 970 90
--	---	---------------

36 607 809 Product version from 4/1/2024

mm [inches]



Flow rate chart



Codes & Standards

ASME A112.18.1	cUPC	DIN 4109	EN 1111
EN 200	ISO 3822	Scottish Water Byelaws	UK Water Supply Regulations

Ü-Zeichen



## VAIA Wall valve clockwise closing 1/2" - Brushed Platinum

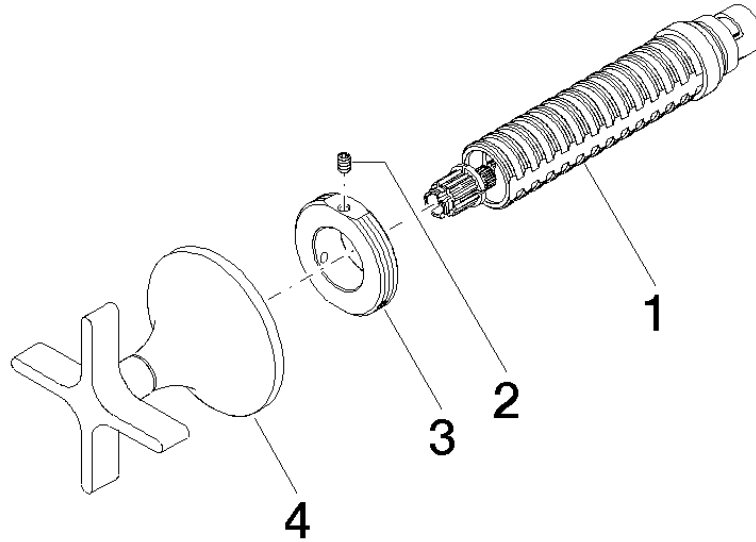
VAIA

36 607 809 Product version from 4/1/2024

### Certificates and sustainability

---

WRAS_2011	DVGW_DW- 6501DN0	DVGW_DW- 6512DN0	LGA_29	WRAS_2010
LGA_29	IAPMO_4976 (	EPD-DOR-20230287 -IBA1-EN Environmental.prod uct-declarat		



### Spare parts list

No.	Item Number	Name	Quantity used	Delivery time
2	09 31 11 008 90	Mounting Threaded pin with hexagon socket M4 x 6 mm	1.00	14
3	09 21 02 163 90	Mounting Ø 42 x 18 mm -	1.00	14
4	90 20 80 014 00-06	Handle for wall valve Neutral Ø 71 x 63 mm - Brushed Platinum	1.00	20
1	90 90 03 143 00 90	Head part clockwise closing 1/2" -	1.00	14