



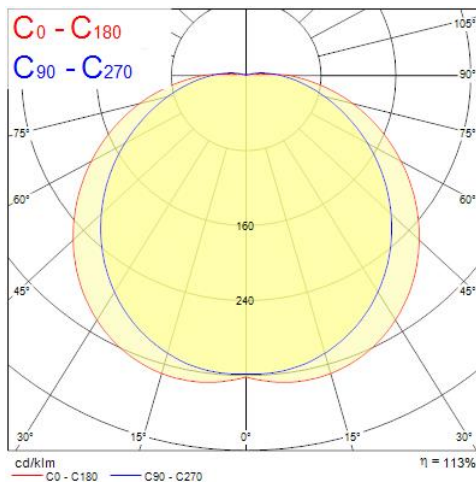
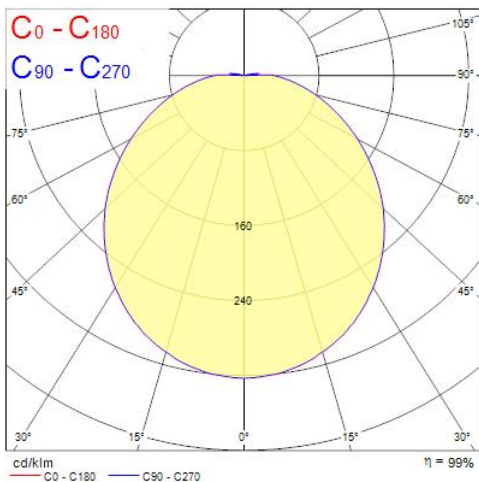
Features

- Eyelid accessory for Start Surface IP66 350mm diameter - black colour

Product Overview

Product name	START SURFACE IP66 350MM EYELID BLK
Technology	Accessory
Housing	PC Polycarbonate
Environment	Indoor, Outdoor
E-number FI	4579487
Housing colour	RAL 9011 - Graphite black
Product EAN number	5410288490335
Warranty	5 years

Photometry

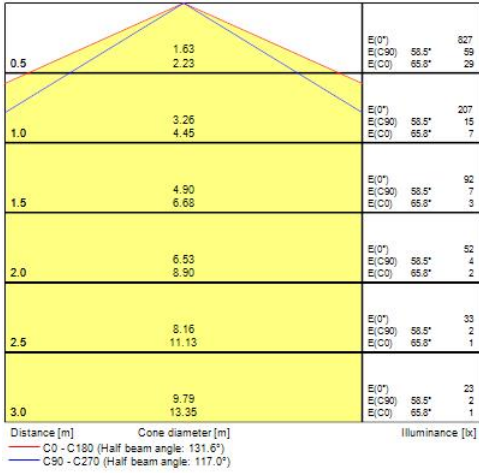


Distance [m]	Cone diameter [m]	E(0°) E(C0)	E(0°) E(C270)	Illuminance [lx]
0.5	1.48	1421	125	
1.0	2.95	355	31	
1.5	4.43	158	14	
2.0	5.91	89	8	
2.5	7.38	57	5	
3.0	8.86	39	3	

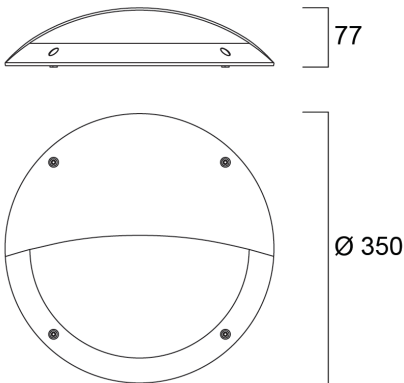
Distance [m] Cone diameter [m] Illuminance [lx]

— C₀ - C₁₈₀ (Half beam angle: 111.8°)

START SURFACE IP66 350MM EYELID BLK 0049033



Technical drawings



Data table

GENERAL DATA

Product name	START SURFACE IP66 350MM EYELID BLK
Technology	Accessory
Housing	PC Polycarbonate
Environment	Indoor, Outdoor

START SURFACE IP66 350MM EYELID BLK 0049033

E-number FI	4579487
-------------	---------

Warranty	5 years
----------	---------

ELECTRICAL DATA

Control gear required	No
-----------------------	----

Glow Wire Test (°C)	650
---------------------	-----

PHYSICAL DATA

Housing colour	RAL 9011 - Graphite black
----------------	---------------------------

Weight (kg)	0.17
-------------	------

PACKAGING

Single packaging type	Carton
-----------------------	--------

Product EAN number	5410288490335
--------------------	---------------

Packaging single width (cm)	35.0
-----------------------------	------

Packaging single depth (cm)	0.8
-----------------------------	-----

DUN14 (outer)	15410288490332
---------------	----------------

Packaging outer length / height (cm)	72.0
--------------------------------------	------

SAFETY DATA

Special purpose lamp	No
----------------------	----

Dry applications use only	No
---------------------------	----

Suitable for household illumination	No
-------------------------------------	----