

36 503 977 Product version up to 1/1/2022



- cover plate Ø 124 mm
- temperature control handle with safety limit stop at 38°C
- thermostat cartridge
- WRAS

	Chrome	36 503 977-00
	Brushed Platinum	36 503 977-06
	Platinum	36 503 977-08
	Durabass (23kt Gold)	36 503 977-09
	Brushed Durabass (23kt Gold)	36 503 977-28
	Brushed Gold (PVD)	36 503 977-37
	Brushed Dark Brass (PVD)	36 503 977-39
	Brushed Bronze (PVD)	36 503 977-42
	Brushed Dark Platinum	36 503 977-99

Recommended miscellaneous

	<b>xGRID Attachment set for integrating in the dry wall construction -</b>	12 340 970 90
--	--	---------------

Required miscellaneous

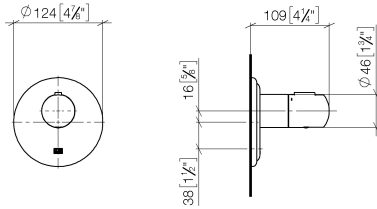
	<b>xGRID Installation track 555 mm -</b>	12 360 970 90
--	--	---------------

Required miscellaneous

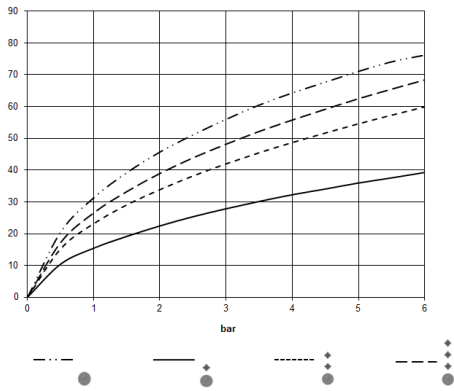
	<b>xTOOL Concealed thermostat module without volume control -</b>	35 503 970 90
	<ul style="list-style-type: none"> <li>• min. recess depth 85 mm</li> <li>• max. recess depth 110 mm</li> </ul>	

36 503 977 Product version up to 1/1/2022

mm [inches]



**Flow rate chart**



**Codes & Standards**

DIN 4109

EN 1111

ISO 3822

Scottish Water  
Byelaws

UK Water Supply  
Regulations

Ü-Zeichen



# MADISON xTOOL Concealed thermostat without volume control 3/4" - Chrome

MADISON

36 503 977 Product version up to 1/1/2022

## Certificates and sustainability

---

WRAS\_2011

DVGW\_DW-  
6512DN0

LGA\_29

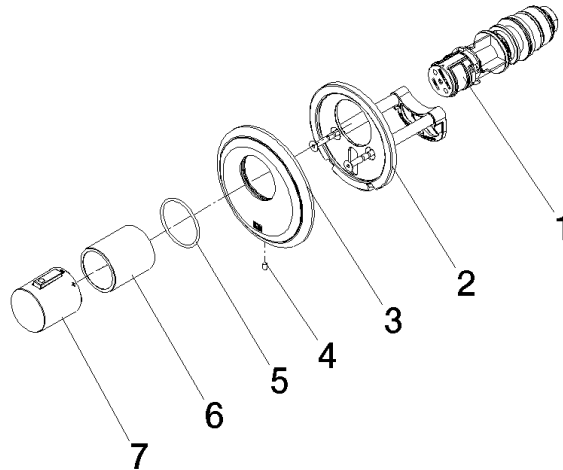
LGA\_29

LGA\_29

EPD-DOR-20230287

-IBA1-EN

Environmental.prod  
uct-declarat



### Spare parts list

No.	Item Number	Name	Quantity used	Delivery time
7	90 17 33 005 01-00	Handle complete for thermostat - Chrome	1.00	20
3	09 11 02 543-00	cover	1.00	20
6	90 21 02 112 00-00	Sleeve - Chrome	1.00	20
2	90 11 01 196 00 90	Retainer -	1.00	14
5	90 14 10 049 00 90	O-Ring 45,69 x 2,62 mm -	1.00	14
4	09 31 11 048 90	Mounting Threaded pin with hexagon socket with point M4 x 8 mm -	1.00	14
1	90 15 02 063 00 90	Thermostat cartridge with control unit Ø 44 x 147 mm -	1.00	14