

Presence detector, DALI, secondary, 24 m, IP54, for flush mounting, white

350-41752

4 year warranty

This presence detector (DALI daylight control, secondary) is suitable for flush-mounting in ceilings with a height of 2.4 – 3 m and can only be used in combination with a master to increase its detection range. The device follows the settings of the master. The sensitivity of the secondary detector, though, can be set separately. A maximum of ten secondary detectors can be connected per master.

Finishing colour: white

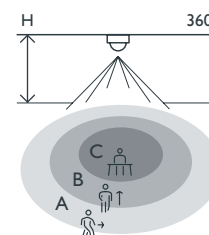
Compatible master detectors: 350-41750, 350-41751, 350-41760, 350-41761, 350-41780, 350-41781

- All-in-one solution
- Large detection range of 24 m
- Can be programmed using the IR remote control 350-41934
- Fast, flexible installation thanks to the addressable DALI bus
- Replacement of a faulty DALI frame without reprogramming

For use in offices, schools and public buildings, for rooms of every dimension.



Detection range



H	A Across	B Towards	C Presence
2 m	∅ 16 m	∅ 10 m	∅ 4 m
2.5 m	∅ 20 m	∅ 12 m	∅ 5 m
3 m	∅ 24 m	∅ 14 m	∅ 6 m



DALI



secondary



360°



∅ 24 m from a height of 3 m



2 – 3.4 m



flush-mounting

niko

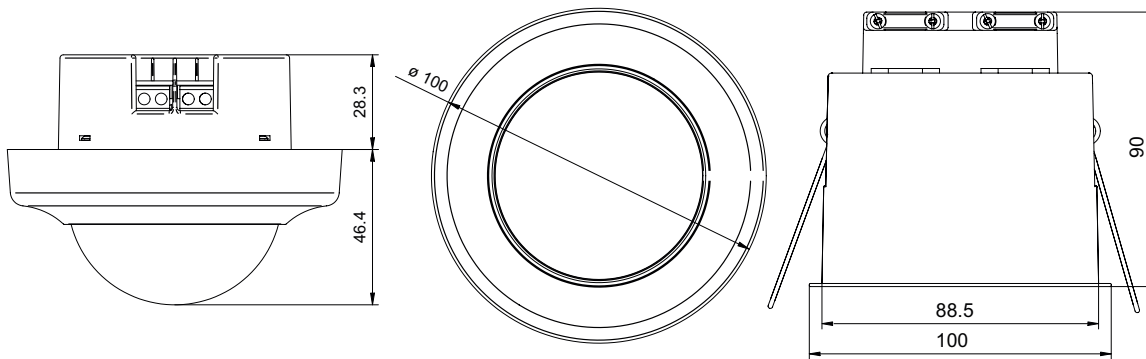
Technical data

Article number	350-41752
Compatible master detectors	350-41750, 350-41751, 350-41760, 350-41761, 350-41780, 350-41781
Input voltage	via the DALI bus
Detection angle	360 °
Detection range (PIR)	ø 24 m from a height of 3 m
Ambient temperature	-5 – +50 °C
Mounting method	flush-mounting
Mounting height	2 – 3.4 m
Drill diameter	88.5 mm
Dimensions visible (HxWxD)	100 x 100 x 46.4 mm
Dimensions (HxWxD)	100 x 100 x 136.4 mm
Protection degree	IP54
Marking	CE

Accessories

350-41936	Universal remote control for smartphone
350-41934	IR-remote control for installers

Dimensions



Wiring diagram

