



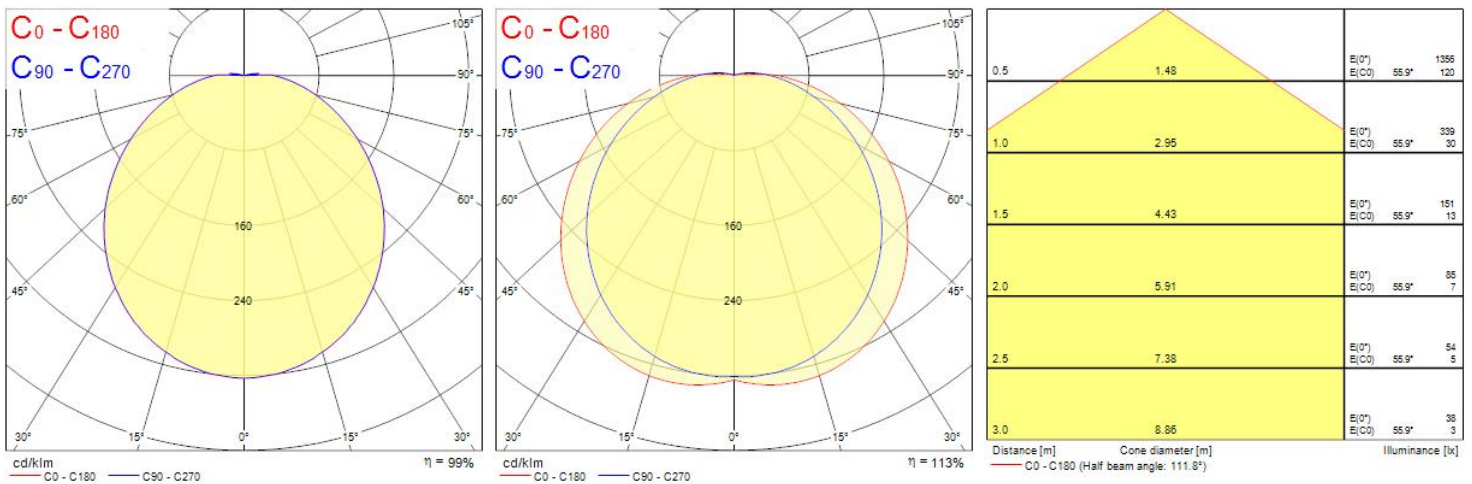
Features

- Eyelid accessory for Start Surface IP66 350mm diameter - white colour

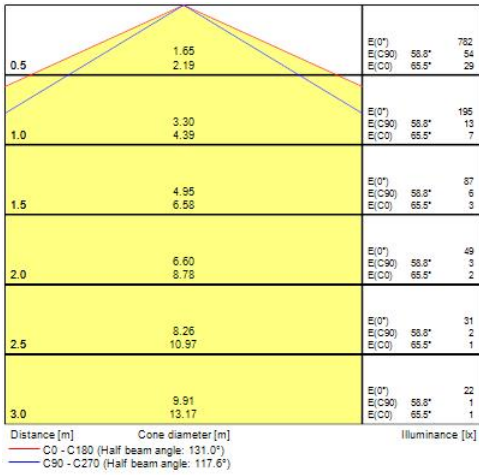
Product Overview

Product name	START SURFACE IP66 350MM EYELID WHT
Technology	Accessory
Housing	PC Polycarbonate
Environment	Indoor, Outdoor
E-number FI	4579486
Housing colour	RAL 9003 - Signal white
Product EAN number	5410288490328
Warranty	5 years

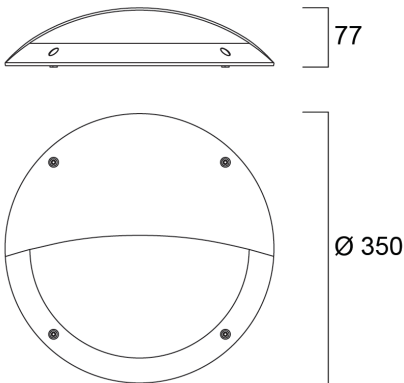
Photometry



START SURFACE IP66 350MM EYELID WHT 0049032



Technical drawings



Data table

GENERAL DATA

Product name	START SURFACE IP66 350MM EYELID WHT
Technology	Accessory
Housing	PC Polycarbonate
Environment	Indoor, Outdoor

START SURFACE IP66 350MM EYELID WHT 0049032

E-number FI	4579486
-------------	---------

Warranty	5 years
----------	---------

ELECTRICAL DATA

Control gear required	No
-----------------------	----

Glow Wire Test (°C)	650
---------------------	-----

PHYSICAL DATA

Housing colour	RAL 9003 - Signal white
----------------	-------------------------

Weight (kg)	0.17
-------------	------

PACKAGING

Single packaging type	Carton
-----------------------	--------

Product EAN number	5410288490328
--------------------	---------------

Packaging single width (cm)	35.0
-----------------------------	------

Packaging single depth (cm)	0.8
-----------------------------	-----

DUN14 (outer)	15410288490325
---------------	----------------

Packaging outer length / height (cm)	72.0
--------------------------------------	------

SAFETY DATA

Special purpose lamp	No
----------------------	----

Dry applications use only	No
---------------------------	----

Suitable for household illumination	No
-------------------------------------	----