



Features

- Perfect for decorative and general lighting applications and creates a warm ambience similar to traditional lamps The versatile ToLEDo Retro ball range is the ideal replacement for halogen and incandescent lamps and perfect for chandeliers and decorative applications Same look, size and functionality as incandescent lamps Omni-directional light distribution Gives same sparkling light effect as the incandescent lamp Dimensionally identical to incandescent lamps - fits all fixtures Environment-friendly - no mercury and lower CO2 emissions Dimmable with approved dimmers

Product Overview

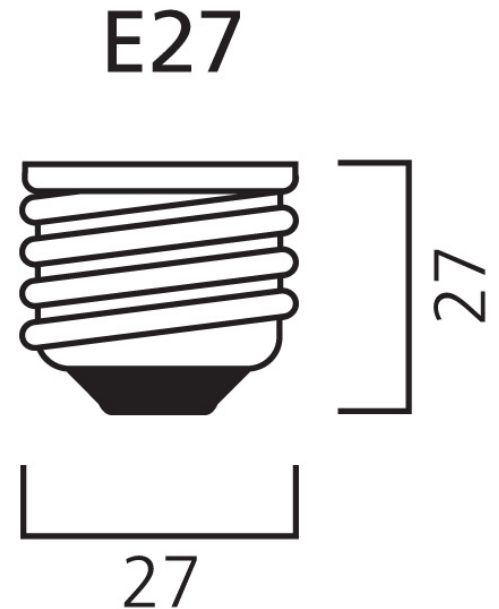
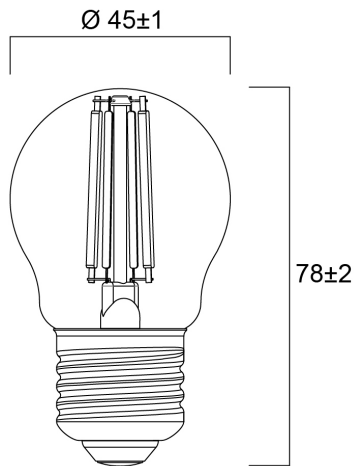
Product name	ToLEDo RT Ball V5 CL DIM 470LM 827 E27 SL
Technology	LED
Watt (Rated) (W)	4.5
Fixture rating	Open
General application	Hospitality, Residential & Consumer
ETIM Class	EC001959
E-number FI	4740940
Correlated colour temperature (k)	2700
Light colour	Homelight
CRI (Ra)	80
Colour Variation Initial (SDCM)	6
Photobiological Risk Group	RG1
Wattage (W)	4.5
Power consumption (W)	4.5
Dimmable	Yes
Average life (Nominal) (h)	15000
Product EAN number	5410288294919
Warranty	3 years

ToLEDo RT Ball V5 CL DIM 470LM 827 E27 SL 0029491

Useful luminous flux (#use)

470

Technical drawings



Data table

GENERAL DATA

Product name	ToLEDo RT Ball V5 CL DIM 470LM 827 E27 SL
Technology	LED
Watt (Rated) (W)	4.5
Fixture rating	Open
General application	Hospitality, Residential & Consumer
Operating temperature range (°C)	-10°C...+45°C
Performance ambient temperature Tq (°C)	25
ETIM Class	EC001959
E-number FI	4740940
Warranty	3 years

OPTICAL DATA

Useful luminous flux (#use)	470
Luminous flux (Rated) (lm)	470
Correlated colour temperature (k)	2700
Light colour	Homelight
CRI (Ra)	80
Colour Variation Initial (SDCM)	6
Photobiological Risk Group	RG1
Lumen maintenance at end of nominal life (%)	70

ELECTRICAL DATA

Power consumption (W)	4.5
Wattage (W)	4.5
Equivalent watt (W)	40
Primary Supply/Product voltage - min (V)	220
Primary Supply/Product voltage - max (V)	240
Control gear required	No
No. Of switching cycles before premature failures	>50000
Dimmable	Yes
Inrush Current (A)	1.2
Inrush Duration (µs)	520
Lamp Energy Label (class)	F
Max. products per 16A C Breaker	133
Max. products per 16A B Breaker	66

LIFETIME DATA

Lifespan L70 B50	15000
Average life (Nominal) (h)	15000
Average life (Rated) (h)	15000

PHYSICAL DATA

ToLEDo RT Ball V5 CL DIM 470LM 827 E27 SL 0029491

Nominal Product Length (mm)	78
Nominal Product Diameter (mm)	45
Weight (kg)	0.045

PACKAGING

Product EAN number	5410288294919
Packaging single length / height (cm)	9.5
Packaging single width (cm)	5.0
Packaging single depth (cm)	5.0
DUN14 (inner)	15410288294916
Units per outer package	6
Packaging outer length / height (cm)	15.8
Packaging outer width (cm)	10.7
Packaging outer depth (cm)	10.5

SAFETY DATA

Optimal operating condition (°C)	-10-45
Breakage cleaning instructions	Not applicable
Special purpose lamp	No
Dry applications use only	Yes
Suitable for household illumination	Yes
Safety message	Not Suitable for totally enclosed fixtures

SYLVANIA

ToLEDo RT Ball V5 CL DIM 470LM 827 E27 SL
0029491

Energy label



0029491



5
kWh/1000h



2019/2015



0029491



5
kWh/1000h



2019/2015