



Two-way diverter for bath rim or tile edge installation - Brushed Durabrass (23kt SERIES SPECIFIC Gold)

29 140 979 Product version from 6/30/2015



- automatic bath/shower diverter
- hole diameter 32 mm
- rosette Ø 50 mm
- 1/2" connection
- max. flow 64.9 l/min at 3 bar flow pressure
- WRAS

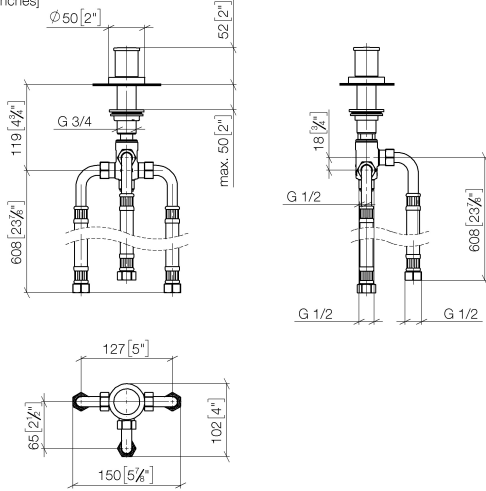
	Brushed Durabrass (23kt Gold)	29 140 979-28
	Chrome	29 140 979-00
	Brushed Platinum	29 140 979-06
	Platinum	29 140 979-08
	Dark Chrome	29 140 979-19
	Brushed Light Gold (PVD)	29 140 979-27
	Matte Black	29 140 979-33
	Brushed Dark Brass (PVD)	29 140 979-39
	Brushed Bronze (PVD)	29 140 979-42
	Brushed Dark Bronze (PVD)	29 140 979-43
	Brushed Champagne (22kt Gold)	29 140 979-46
	Champagne (22kt Gold)	29 140 979-47
	Brushed Chrome	29 140 979-93
	Brushed Dark Platinum	29 140 979-99



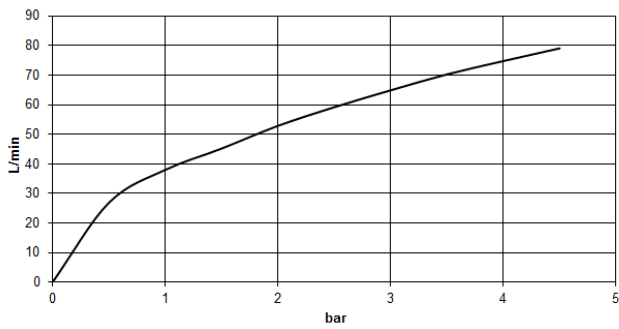
Two-way diverter for bath rim or tile edge installation - Brushed Durabronz (23kt SERIES SPECIFIC Gold)

29 140 979 Product version from 6/30/2015

mm [inches]



Flow rate chart



Codes & Standards

DIN 4109

ISO 3822

Scottish Water
Byelaws

UK Water Supply
Regulations

Ü-Zeichen



Two-way diverter for bath rim or tile edge installation - Brushed Durabronze (23kt SERIES SPECIFIC Gold)

29 140 979 Product version from 6/30/2015

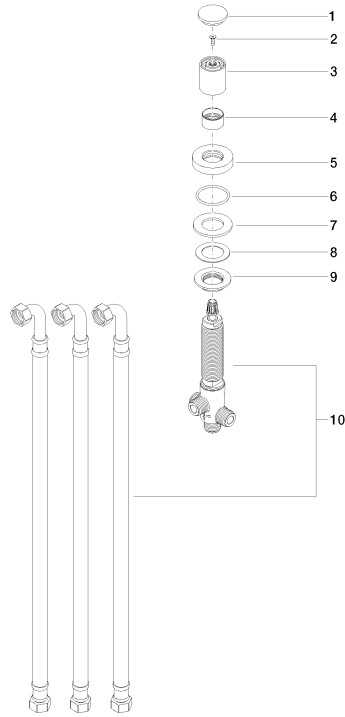
Certificates and sustainability

WRAS_1911	LGA_29	EPD-DOR-20230287 -IBA1-EN Environmental.prod uct-declarat
-----------	--------	--

Two-way diverter for bath rim or tile edge installation - Brushed Durabron (23kt SERIES SPECIFIC Gold)

29 140 979 Product version from 6/30/2015

Parts for other finishes can be found here: [Chrome](#)



Spare parts list

No.	Item Number	Name	Quantity used	Delivery time
1	09 20 71 003-28	Cover Ø 36 x 9,5 mm - Brushed Durabron (23kt Gold)	1.00	40
8	09 14 40 002 90	Washer Vf 3110 41,0 x 27,0 x 1,0 mm -	1.00	14
3	09 20 71 002-28	Handle for 2-way diverter Ø 32 x 36 mm - Brushed Durabron (23kt Gold)	1.00	40
7	09 14 05 014 90	Washer NBR 70 48,0 x 27,0 x 3,0 mm -	1.00	14
5	09 27 97 013-28	Rosette DB logo Ø 50 x 10 mm, 3/4" - Brushed Durabron (23kt Gold)	1.00	40
6	09 14 10 030 90	O-Ring 36,17 x 2,62 mm -	1.00	14
4	09 16 01 012-28	Ring Ø 26,5 x 15 mm - Brushed Durabron (23kt Gold)	1.00	40
9	09 23 10 004 90	Mounting with collar Screw connection 3/4" -	1.00	14
2	90 30 30 014 00 90	Mounting Countersunk screw with hexagon socket M4 x 12 mm -	1.00	14
10	90 17 09 051 00 90	Diverter Spare part for 04.17.09.041.15.90 716x133x80 mm -	1.00	14