

# Presence detector P48LR, DALI-2, master, 32-37 m, IP54, for surface mounting, white

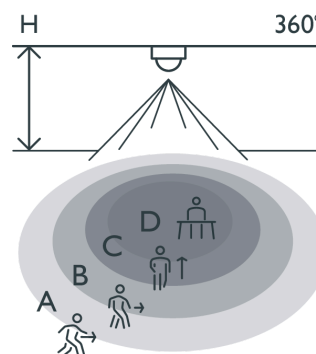
353-752421



DALI-2	master	IP54	N.O. (max. 0 A), potential-free	20 lx – 2,000 lx	360°	ø 37 m from a height of 3 m
2 m – 3.5 m	surface-mounting	Bluetooth® Low Energy				



## Detection range



This presence detector is a DALI-2 master for lighting control in up to 4 zones. The detector is fitted with multiple functions and can be controlled wirelessly using push buttons. It is designed for surface mounting and has an IP54 protection degree. The lighting zones are defined during commissioning using the Niko detector tool app and 2-way Bluetooth® communication between a smartphone and the detector.

Colour: white

Compatible secondary detectors: 353-650021, 353-651021, 353-652021, 353-750021, 353-751021, 353-752021, 353-852011

Compatible master detectors:

Compatible controls: 170-00005, 170-00015, 170-70015, 170-70005, 360-21001

This article is protected by at least one patent (or patent application). For more info on patents, see [www.niko.eu/innovation](http://www.niko.eu/innovation).

H	A Walking	B Across	C Towards	D Presence
2.5 m	ø 32 m	ø 28 m	ø 10 m	ø 8 m
3.0 m	ø 37 m	ø 30 m	ø 8 m	ø 5 m
3.5 m	ø 48 m	ø 42 m	ø 8 m	ø 6 m

Measured according to EN/IEC63180



- Surface mounting
- Lighting control in up to 4 zones (daylight controlled)
- Lighting zones can be controlled wirelessly by push buttons
- Quick cabling using screwless and easily accessible plug-in terminals
- Commissioning using app (iOS/Android) and 2-way Bluetooth® communication

- Supports DALI broadcast (default) and DALI addressable (up to 64 devices)
- Pre-configured functions:
- DALI lighting control can be overridden with a 230 V push button - different options available
- External DALI-2 input devices via DALI bus - up to 64 devices
- External trigger can be connected e.g. security alarm
- Web based portal solution for backing up and exchanging configuration files
- Settings and configuration can be locked with a PIN code
- IP54 protection degree

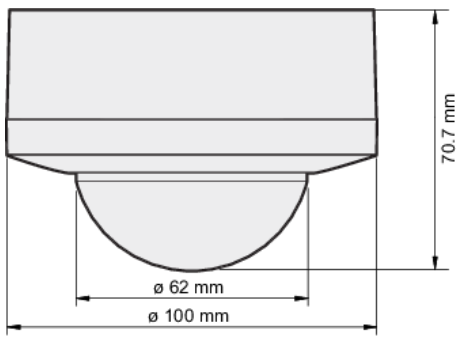
## Technical features

Compatible secondary detectors	353-650021, 353-651021, 353-652021, 353-750021, 353-751021, 353-752021, 353-852011
Compatible controls	170-00005, 170-00015, 170-70015, 170-70005, 360-21001
Configuration	master
Input voltage	230 Vac
Detector output	DALI Broadcast/DALI Addressable
Maximum startup time DALI	< 1,200 ms
Maximum PIR detection startup time	70 sec
Switch-off delay	pulse, 30 sec – 7,200 sec, ∞
Maximum power consumption	0.6 W
Maximum MCB rating	16 A (limited by national installation rules)
Detection angle	360 °
Detection range (PIR)	∅ 37 m from a height of 3 m
Minimum ambient temperature	-25 °C
Maximum ambient temperature	+40 °C
Mounting method	surface mounting
Mounting height	2 m – 3.5 m
Colour	white
Colour RAL (approximately)	9010
Dimensions visible (HxWxD)	100 mm x 100 mm
Dimensions (HxWxD)	100 mm x 100 mm x 70.7 mm
Maximum range Bluetooth® (free field, depending on the device)	50 m
Operating frequency	2.4 GHz
Maximum radio frequency power	-2 dBm
Protection degree standalone	IP54
Impact resistance	IK04
Modification of settings	Niko detector tool app (iOS-Android) and 2-way Bluetooth® communication
Halogen-free	yes

## Accessories

353-999879 Lens cover for P4XLR, M4XLR and M4XHC detectors transparent (5 pieces)

## Dimensions



## Wiring diagram

