

Motion detector M41HC, 230 V, secondary, 18-53 m, IP54, for high ceilings, for surface mounting, white

353-802011



Bluetooth



230 V



secondary



IP54



360°



ø 53 m from a height of 12 m



4 m – 12 m



surface-mounting



Bluetooth®
Low Energy



This high ceiling detector is a secondary detector that extends the detection range of a high ceiling 230 V master detector. It is designed for surface mounting and has an IP54 protection degree. The detector's settings can be modified using the Niko detector tool app and 2-way Bluetooth® communication between a smartphone and the detector.

Colour: white

Compatible secondary detectors:

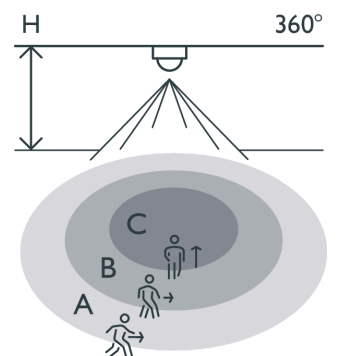
Compatible master detectors: 353-600121, 353-601121, 353-601121-2, 353-601121-4, 353-601221, 353-602121, 353-602221, 353-700121, 353-701121, 353-701121-2, 353-701121-4, 353-701221, 353-702121, 353-702221, 353-802111

Compatible controls:

This article is protected by at least one patent (or patent application). For more info on patents, see www.niko.eu/innovation.

- High ceiling detector for surface mounting
- Quick cabling using screwless and easily accessible plug-in terminals
- User-friendly app for commissioning (iOS/Android)
- 2-way Bluetooth® communication ensures quick modification of settings and live feedback in the app

Detection range



H	A Walking	B Across	C Towards
4.0 m	ø 18 m	ø 18 m	ø 11 m
8.0 m	ø 35 m	ø 33 m	ø 23 m
12.0 m	ø 53 m	*	ø 13 m

* not specified

Measured according to EN/IEC63180

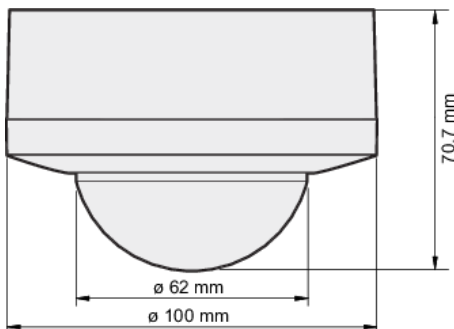


- Fitted with three PIR segments, each covering 120°
- Pre-configured functions:
- Wireless communication between master and secondary detectors with a repeater function with repeater function
- Settings and configuration can be locked with a PIN code
- IP54 protection degree

Technical features

attribute.compatiblemasterdetectors	353-600121, 353-601121, 353-601121-2, 353-601121-4, 353-601221, 353-602121, 353-602221, 353-700121, 353-701121, 353-701121-2, 353-701121-4, 353-701221, 353-702121, 353-702221, 353-802111
Configuration	secondary
Input voltage	230 Vac
Detector output	230 V (ON/OFF)
Maximum power consumption	0.2 W
Maximum MCB rating	16 A (limited by national installation rules)
Detection angle	360 °
Detection range (PIR)	ø 53 m from a height of 12 m
Minimum ambient temperature	-25 °C
Maximum ambient temperature	+40 °C
Mounting method	surface mounting
Mounting height	4 m – 12 m
Colour	white
Colour RAL (approximately)	9010
Dimensions visible (HxWxD)	100 mm x 100 mm
Dimensions (HxWxD)	100 mm x 100 mm x 70.7 mm
Maximum range Bluetooth® (free field, depending on the device)	50 m
Operating frequency	2.4 GHz
Maximum radio frequency power	-2 dBm
Protection degree standalone	IP54
Impact resistance	IK03
Modification of settings	Niko detector tool app (iOS-Android) and 2-way Bluetooth® communication
Halogen-free	yes

Dimensions



Wiring diagram

