

Concord

EQUINOX 165 2300 940 DALI BLACK 2060589



Features

• Equinox is an elegant and innovative luminaire designed using the latest optical technology. It is a high quality and efficient lighting solution for office, hospitality, and retail environments. It creates inspirational halo effects regulated by a unique adjustable optic system. It is DALI dimmable downlight luminaire, Colour rendering index Ra >90, Colour temperature: 4000K Neutral White, Class II, Cut out dimensions: 165mm. Low Glare UGR<19. Finish Jet Black RAL 9005.

Product Overview

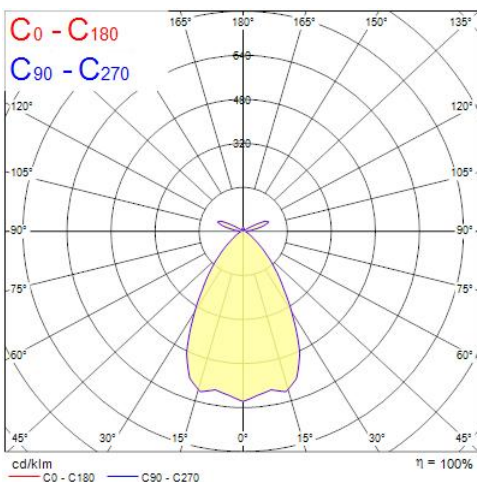
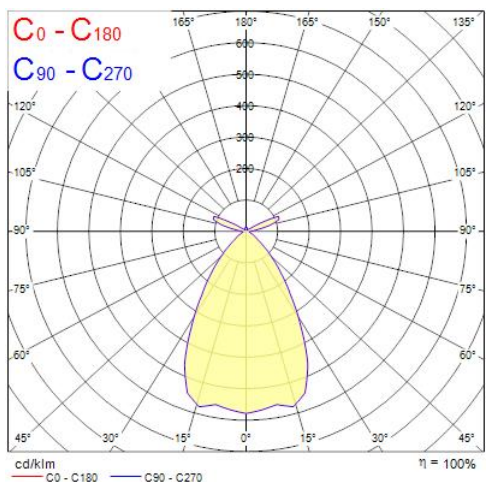
Product name	EQUINOX 165 2300 940 DALI BLACK
Technology	LED
Cap/Base	N/A
Housing	Aluminium
Mount	Ceiling recessed mounting
Fixture luminous flux (lm)	2300
Luminaire efficacy (lm/W)	115
Colour temperature (K)	4000
Light colour	Neutral White
CRI (Ra)	90
Colour Consistency (SDCM)	3
Colour Variation Initial (SDCM)	3
Glare control	< 19
Photobiological Risk Group	RG1
Total power consumption (W)	20
Electrical protection	Class II
Control gear type	LED driver constant current
Control gear mounting	Remote

Concord

EQUINOX 165 2300 940 DALI BLACK 2060589

Housing colour	RAL 9005 - Jet black
IP rating	IP20
IK rating	IK02
Product EAN number	5025768605897
Warranty	5 years

Photometry



Distance [m]	Cone diameter [m]	E(0°) E(C0)	Illuminance [lx]
0.5	0.64	32.8°	5323 1552
1.0	1.29	32.8°	1331 395
1.5	1.93	32.8°	591 175
2.0	2.58	32.8°	333 99
2.5	3.22	32.8°	213 63
3.0	3.87	32.8°	148 44

Distance [m] Cone diameter [m] Illuminance [lx]
 C0 - C180 (Half beam angle: 65.6°)

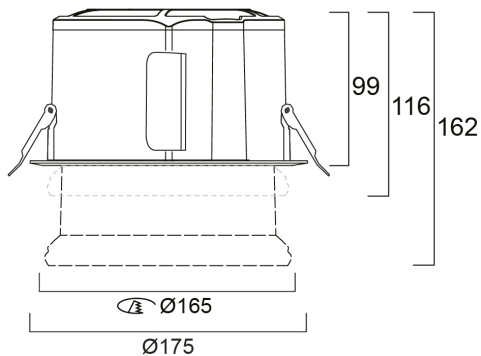
Distance [m]	Cone diameter [m]	E(0°) E(C0)	Illuminance [lx]
0.5	0.64	32.6°	5189 1552
1.0	1.28	32.6°	1297 388
1.5	1.92	32.6°	577 172
2.0	2.56	32.6°	324 97
2.5	3.20	32.6°	208 62
3.0	3.84	32.6°	144 43

Distance [m] Cone diameter [m] Illuminance [lx]
 C0 - C180 (Half beam angle: 65.2°)

Concord

EQUINOX 165 2300 940 DALI BLACK 2060589

Technical drawings



Data table

GENERAL DATA

Product name	EQUINOX 165 2300 940 DALI BLACK
Technology	LED
Cap/Base	N/A
Housing	Aluminium
Mount	Ceiling recessed mounting
Operating temperature range (°C)	1°C...+25°C
Performance ambient temperature Tq (°C)	25
Warranty	5 years

OPTICAL DATA

Fixture luminous flux (lm)	2300
Luminaire efficacy (lm/W)	115
Colour temperature (K)	4000
Light colour	Neutral White
CRI (Ra)	90

Concord

EQUINOX 165 2300 940 DALI BLACK 2060589

Colour Consistency (SDCM)	3
Colour Variation Initial (SDCM)	3
Glare control	< 19
Photobiological Risk Group	RG1

ELECTRICAL DATA

Total power consumption (W)	20
Primary Supply/Product voltage - min (V)	220
Lamp power factor	0.96
Electrical protection	Class II
Control gear required	No
Control gear type	LED driver constant current
Control gear mounting	Remote
Drive current (mA)	650
Inrush Current (A)	26.4
Inrush Duration (μ s)	224
Glow Wire Test ($^{\circ}$ C)	650
Energy Efficiency Class (A->G) of contained light source	D
Nominal Frequency (Hz)	50/60Hz
Max. products per 10A C Breaker	16
Max. products per 20A B Breaker	44
Connectable conductor cross section - Min (mm ²)	0.5
Connectable conductor cross section - Max (mm ²)	2.5

LIFETIME DATA

Lifespan L70 B50	120000
Lifespan L80 B20	114000
Lifespan L80 B10	108000
Lifespan L90 B10	51500

PHYSICAL DATA

Concord

EQUINOX 165 2300 940 DALI BLACK 2060589

Housing colour	RAL 9005 - Jet black
IP rating	IP20
IK rating	IK02
Diffuser finish	Other
Diffuser material	PMMA Acrylic
Nominal Product Diameter (mm)	175
Weight (kg)	1.55

PACKAGING

Single packaging type	Carton
Product EAN number	5025768605897
Packaging single width (cm)	25.0
Packaging single depth (cm)	20.0
DUN14 (outer)	05025768605897
Packaging outer length / height (cm)	20.0

SAFETY DATA

Optimal operating condition (°C)	1-25
Special purpose lamp	No
Dry applications use only	No
Suitable for household illumination	No