



Features

- Perfect for decorative and general lighting applications and creates a warm ambiance similar to traditional lamps Same look, size and functionality as incandescent lamps Omni-directional light distribution 12,000 hours average rated life Suitable replacement for incandescent and halogen lamps Gives same sparkling light effect as incandescent lamp Dimensionally identical to incandescent lamps - fits all fixtures Environment friendly - no mercury and lower CO2 emissions

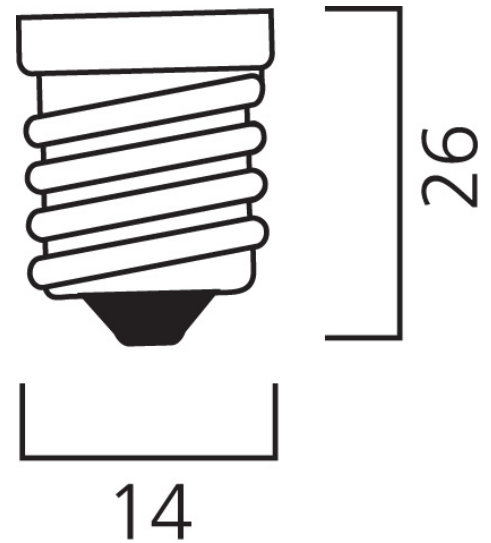
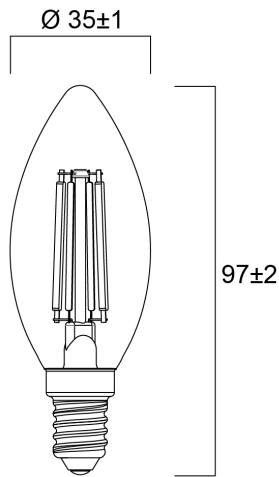
Product Overview

| | |
|-----------------------------------|---------------------------------------|
| Product name | ToLEDo RT Candle CL 470LM 827 E14 SL4 |
| Technology | LED |
| Watt (Rated) (W) | 4.5 |
| Lamp shape | Candle |
| Cap/Base | E14 |
| Lamp finish | Clear |
| Fixture rating | Open |
| General application | Residential & Consumer |
| ETIM Class | EC001959 |
| Correlated colour temperature (k) | 2700 |
| Light colour | Homelight |
| CRI (Ra) | 80 |
| Colour Variation Initial (SDCM) | 6 |
| Photobiological Risk Group | RG1 |
| Wattage (W) | 4.5 |
| Power consumption (W) | 4.5 |
| Dimmable | No |
| Average life (Nominal) (h) | 15000 |

ToLEDo RT Candle CL 470LM 827 E14 SL4 0029551

| | |
|-----------------------------|---------------|
| IP rating | IP20 |
| Product EAN number | 5410288295510 |
| Warranty | 2 years |
| Useful luminous flux (#use) | 470 |

Technical drawings



Data table

GENERAL DATA

| | |
|----------------------------------|---------------------------------------|
| Product name | ToLEDo RT Candle CL 470LM 827 E14 SL4 |
| Technology | LED |
| Watt (Rated) (W) | 4.5 |
| Lamp shape | Candle |
| Cap/Base | E14 |
| Lamp finish | Clear |
| Fixture rating | Open |
| General application | Residential & Consumer |
| Operating temperature range (°C) | -20°C...+40°C |

ToLEDo RT Candle CL 470LM 827 E14 SL4 0029551

| | |
|---|----------|
| Performance ambient temperature Tq (°C) | 25 |
| ETIM Class | EC001959 |
| Warranty | 2 years |

OPTICAL DATA

| | |
|--|-----------|
| Useful luminous flux (#use) | 470 |
| Luminous flux (Rated) (lm) | 470 |
| Correlated colour temperature (k) | 2700 |
| Light colour | Homelight |
| CRI (Ra) | 80 |
| Colour Variation Initial (SDCM) | 6 |
| Photobiological Risk Group | RG1 |
| Lumen maintenance at end of nominal life (%) | 70 |

ELECTRICAL DATA

| | |
|---|---------|
| Power consumption (W) | 4.5 |
| Wattage (W) | 4.5 |
| Equivalent watt (W) | 40 |
| Primary Supply/Product voltage - min (V) | 220 |
| Primary Supply/Product voltage - max (V) | 240 |
| Control gear required | No |
| No. Of switching cycles before premature failures | >50000 |
| Dimmable | No |
| Inrush Current (A) | 6.3 |
| Inrush Duration (µs) | 240 |
| Lamp Energy Label (class) | F |
| Nominal Frequency (Hz) | 50/60Hz |
| Max. products per 16A C Breaker | 25 |
| Max. products per 16A B Breaker | 13 |

LIFETIME DATA

ToLEDo RT Candle CL 470LM 827 E14 SL4 0029551

| | |
|----------------------------|-------|
| Lifespan L70 B50 | 15000 |
| Average life (Nominal) (h) | 15000 |
| Average life (Rated) (h) | 15000 |

PHYSICAL DATA

| | |
|-------------------------------|-------|
| IP rating | IP20 |
| Nominal Product Length (mm) | 97 |
| Nominal Product Diameter (mm) | 35 |
| Weight (kg) | 0.084 |

PACKAGING

| | |
|---------------------------------------|----------------|
| Product EAN number | 5410288295510 |
| Packaging single length / height (cm) | 11.0 |
| Packaging single width (cm) | 15.7 |
| Packaging single depth (cm) | 3.9 |
| DUN14 (inner) | 15410288295517 |
| Units per outer package | 6 |
| Packaging outer length / height (cm) | 12.0 |
| Packaging outer width (cm) | 24.5 |
| Packaging outer depth (cm) | 16.2 |

SAFETY DATA

| | |
|-------------------------------------|--|
| Optimal operating condition (°C) | -20-40 |
| Breakage cleaning instructions | Not applicable |
| Special purpose lamp | No |
| Dry applications use only | Yes |
| Suitable for household illumination | Yes |
| Safety message | Not Suitable for totally enclosed fixtures |

SYLVANIA

ToLEDo RT Candle CL 470LM 827 E14 SL4
0029551

Energy label



0029551



5
kWh/1000h



2019/2015



0029551



5
kWh/1000h



2019/2015