

## Product data sheet

Item No. 96.834.1003.3

### Cable assembly RST25I3KSB- 40P 10BG03

Connection cable, female - male, length 1m, RST25i3, 3 pole, 250V/25A, cable type H05VV, cross section 4,0 mm<sup>2</sup>, color of coding: concrete gray



Item No.	96.834.1003.3
EAN	4015573896192
Order Unit	30 Piece(s)

## Certificates / Approvals



## Technical data

### General

Rated current	25 A
Rated voltage	250 V
Rated impulse voltage	4 kV
Pollution degree	3
Mechanical coding	Yes
Interlockable	Yes
Color of coding/ contact carrier	Concrete gray
Marking of poles	
Color of housing inclusive strain relief	Black

### Model

Number of poles	3
Nominal cross section conductor	4 mm <sup>2</sup>
Degree of protection (IP)	IP66/IP68
Wire strip length	9 mm
sheath strip length	35 mm
Preparation of conductor ends	Ultrasonically compressed wire ends
Cable type	H05VV-F

Cable colour	Black
Cable diameter	11.4 mm
Version of cable	Female - free end

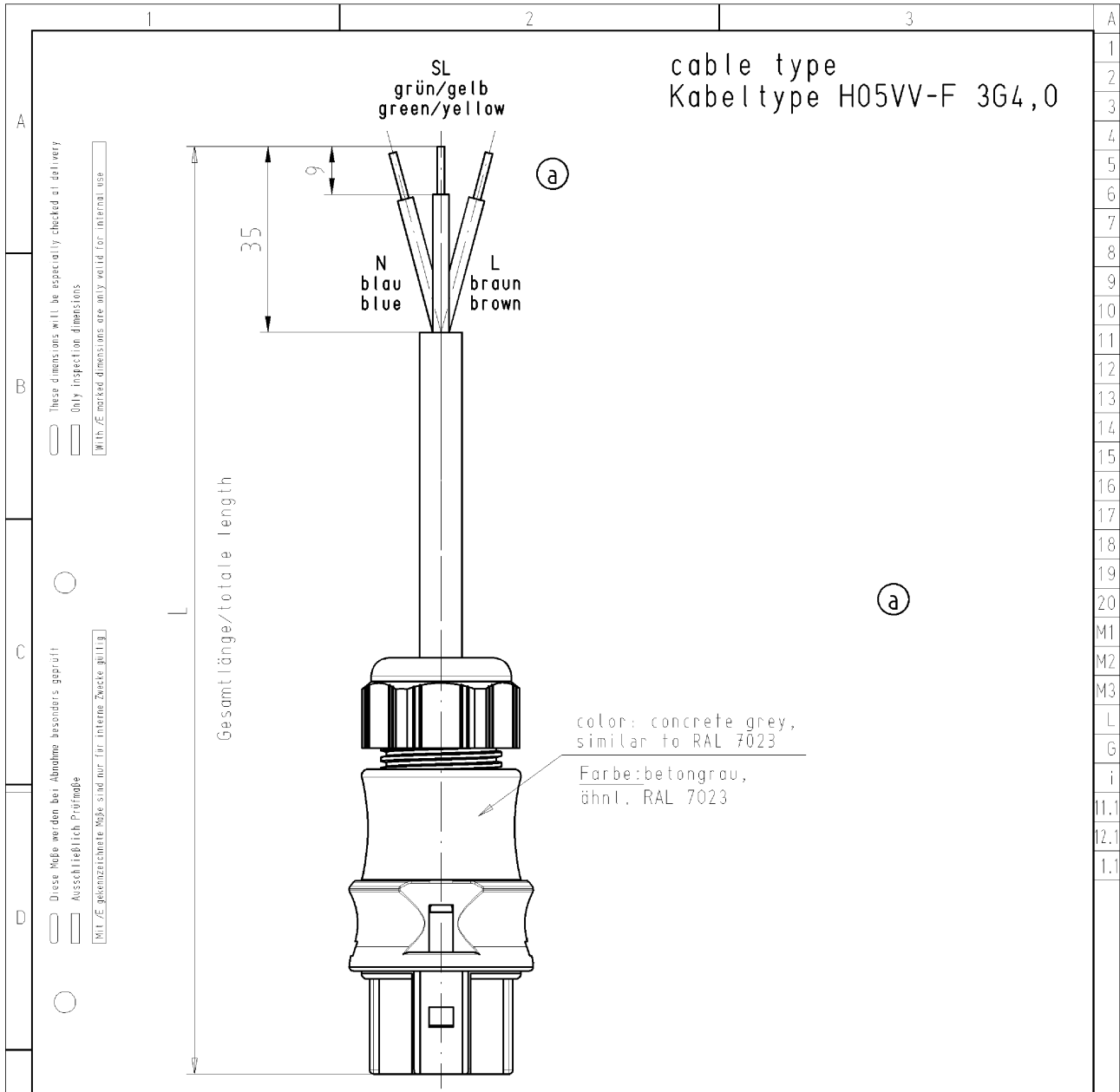
**Material**

Surface finish	Silver-plated
Halogen free	No
Continuous temperature of cable	70 °C
Insulation components continuous temperature	100 °C

**Dimensions**

Total length	1 m
--------------	-----

Technical drawing



Teile-Nr. part-no.		L	Beispiel (Farbe: betongrau) exampel (colour: concrete grey)		Typ type
96.834.XX03.3		XX in dm-Schritten	96.834.1003.3 = 10dm/L= 1000mm		RST2513KSB- 40P 10BG03
U6.834.XX03.3		XX in m-Schritten	U6.834.1203.3 = 12 m/L=12000mm		RST2513KSB- 40P X12BG03
Tolerierung nach DIN 7167/Tolerance system acc. to DIN 7167. (This DIN-standard describes the envelope principle. According to the envelope principle the deviations of form and parallelism are limited by the size tolerances).			ja/yes <input checked="" type="checkbox"/> Stoffverbots- und Deklarationsliste nach UU-TOM-05/03 ist einzuhalten. Conformity with Wieland document UU-TOM-05/03 (list of prohibited / declarable hazardous substances) to be declared!		
Freitoleranz nach General tolerance		CAD - Zeichnung, keine manuellen Änderungen CAD - drawing, no manual modifications allowed		1. Verwendung: - First Use:	Blatt: 1 von 1 Sheet: 1 of 1
		Werkstoff/Material		2006 gezeichnet brown	Tag/Date 02.02.
				Name Kneitz	Zeichnung Nr./Drawing No. 96.834.1003.3 01K
		Maßstab/Scale 1:1		geprüft checked	Index a
		Vol. mm <sup>3</sup> Ofl./Surf. mm <sup>2</sup>		Normgepr. Stand, check	Maße in mm/Dimensions are in mm
		Ersatz für/Replacement for: -			
a 23.10.2007/		wieland		Type Benennung/Title KONFEKT_LEITUNG	
Index Datum / Blatt Date / Sheet		Elektrische Verbindungen		ready made cables Schraubanschluss ohne Drahtschutz/screw-connection with wire protection	
Änderung/Revision					

968341003301K\_4 CADW1025 Winkler 2007-10-23T10:35:33 1.000

