

Motion detector, 230 V, 26 m, IP55, for surface mounting

351-25050



4 year warranty



The motion detector with one channel for surface-mounting on ceilings is suitable for switching indoor lighting on and off. The detector is equipped with an integrated light sensor.

Colour: white

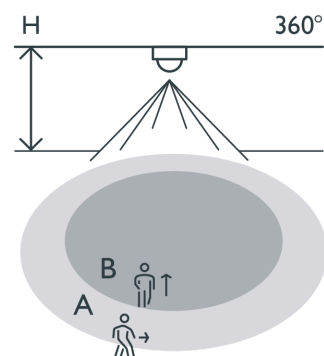
Compatible secondary detectors:

Compatible master detectors:

- Ideal for warehouses, underground garages, basements and stairwells
- With protection class IP55 also suitable for outdoor applications.
- Large connection space for mounting

Detection range

H	A Across	B Towards
2 m	∅ 20 m	∅ 10 m
3 m	∅ 26 m	∅ 13 m
4 m	∅ 28 m	∅ 14 m
5 m	∅ 30 m	∅ 15 m
6 m	∅ 30 m	∅ 15 m
7 m	∅ 30 m	∅ 15 m
8 m	∅ 30 m	∅ 15 m



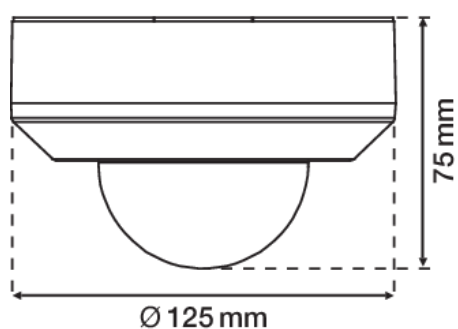
Technical features

Configuration	stand-alone
Input voltage	230 Vac
Detector output	230 V (ON/OFF)
Maximum current consumption	3.91 mA
Switch-off delay	pulse, 10 sec – 1,200 sec
Maximum power consumption	0.9 W
Maximum MCB rating	-10
Detection angle	360 °
Detection range (PIR)	ø 26 m from a height of 3 m
Minimum ambient temperature	-20 °C
Maximum ambient temperature	+55 °C
Mounting method	surface mounting
Mounting height	2 m – 8 m
Colour	white
Colour RAL (approximately)	9010
Dimensions visible (HxWxD)	125 mm x 125 mm
Dimensions (HxWxD)	125 mm x 125 mm x 75 mm
Protection degree standalone	IP55
Impact resistance	IK02
Modification of settings	Potentiometers or IR remote control

Accessories

350-41936	Universal remote control for smartphone
351-25320	IR remote control
351-25310	IR remote control for users

Dimensions



Wiring diagram

