

Inspection box and wall port in plastic

series 362 - 363



01091/04 GB



Function

The new plastic shock resistant box was specially designed for single and dual manifolds in combination with various types of zone valves. The vent openings in the cover are specially designed to prevent the formation of marks on walls. The surface finish of the door is suitable for painting.

Product range

| | | |
|-------------|------------------------------|---|
| Code 362036 | Inspection plastic box | Internal dimensions 270 x 360 mm, depth 80/100 mm |
| Code 362056 | Inspection plastic box | Internal dimensions 330 x 560 mm, depth 80/100 mm |
| Code 362073 | Inspection plastic box | Internal dimensions 360 x 730 mm, depth 80/100 mm |
| Code 363036 | Inspection plastic wall port | Internal dimensions 270 x 360 mm |
| Code 363056 | Inspection plastic wall port | Internal dimensions 330 x 560 mm |
| Code 363073 | Inspection plastic wall port | Internal dimensions 360 x 730 mm |



Code 360001 Mounting brackets for 1" distribution manifolds, 350 and 592 series; for 3/4" and 1" distribution manifolds, 351 and 598 series. Comes complete with two long and two short brackets.



Code 362001 Mounting brackets for single sided dual manifolds 356, 357 series and zone kit 640 series.

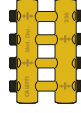
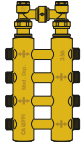
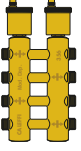
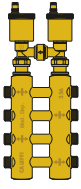
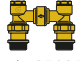




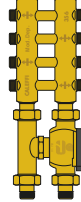
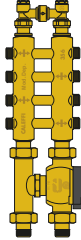
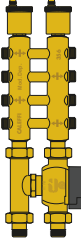
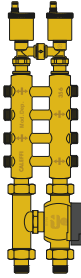


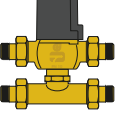

Code 360002 Mounting brackets for 3/4" 349 series, 350 and 592 distribution manifold. Comes complete with two long and two short brackets.


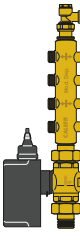
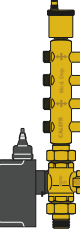
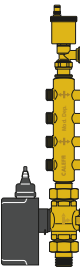
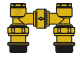

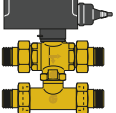

Choice of casing for use with series 356 dual manifolds

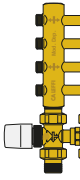
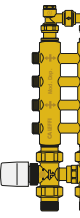
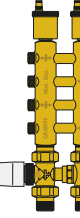
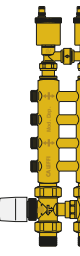
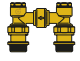

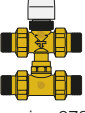



. Maximum number of outlets

| For use with: | |  | |  | |  | |  | |
|---|--------------|---|-------|---|----|---|-------|---|----|
|  code 356050  series 5020  shut-off valves | | | | | | | | | |
| Code | Dimensions | 3/4" | 1" | 3/4" | 1" | 3/4" | 1" | 3/4" | 1" |
| 362036-363036 | 270 x 360 mm | 6+6 | 6+6 | 4+4 | - | 4+4 | 4+4 | 4+4 | |
| 362056-363056 | 330 x 560 mm | 10+10 | 12+12 | 10+10 | - | 10+10 | 10+10 | 10+10 | |
| 362073-363073 | 360 x 730 mm | 10+10 | 12+12 | 10+10 | - | 10+10 | 12+12 | 10+10 | |

| For use with: | |  | |  | |  | |  | |
|---|--------------|---|-------|---|----|---|-------|---|----|
|  code 356050  series 5020  series 633+635 shut-off valves  shut-off valves | | | | | | | | | |
| Code | Dimensions | 3/4" | 1" | 3/4" | 1" | 3/4" | 1" | 3/4" | 1" |
| 362036-363036 | 270 x 360 mm | 2+2 | 2+2 | 2+2 | - | - | - | - | |
| 362056-363056 | 330 x 560 mm | 8+8 | 8+8 | 8+8 | - | 6+6 | 6+6 | 6+6 | |
| 362073-363073 | 360 x 730 mm | 10+10 | 12+12 | 10+10 | - | 10+10 | 10+10 | 10+10 | |

| For use with: | |  | |  | |  | |  | |
|---|--------------|---|-------|---|----|---|-------|---|----|
|  code 356050  series 5020  series 6480 + 6490 shut-off valves  shut-off valves | | | | | | | | | |
| Code | Dimensions | 3/4" | 1" | 3/4" | 1" | 3/4" | 1" | 3/4" | 1" |
| 362036-363036 | 270 x 360 mm | 2+2 | - | 2+2 | - | 2+2 | 2+2 | - | |
| 362056-363056 | 330 x 560 mm | 10+10 | 8+8 | 8+8 | - | 8+8 | 6+6 | 6+6 | |
| 362073-363073 | 360 x 730 mm | 10+10 | 12+12 | 10+10 | - | 10+10 | 10+10 | 10+10 | |

| For use with: | |  | |  | |  | |  | |
|---|--------------|---|-------|---|----|---|-------|---|----|
|  code 356050  series 5020  series 678 shut-off valves  shut-off valves | | | | | | | | | |
| Code | Dimensions | 3/4" | 1" | 3/4" | 1" | 3/4" | 1" | 3/4" | 1" |
| 362036-363036 | 270 x 360 mm | 4+4 | 4+4 | 2+2 | - | 2+2 | 2+2 | - | |
| 362056-363056 | 330 x 560 mm | 10+10 | 10+10 | 8+8 | - | 8+8 | 8+8 | 6+6 | |
| 362073-363073 | 360 x 730 mm | 10+10 | 12+12 | 10+10 | - | 10+10 | 10+10 | 10+10 | |


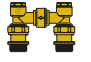

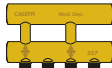
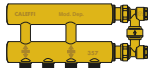
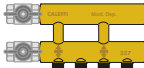
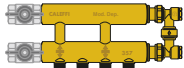
| | | | | | | | | |
|----|-------|-------|-------|----|-------|-------|-------|----|
| | | | | | | | | |
| 1" | 3/4" | 1" | 3/4" | 1" | 3/4" | 1" | 3/4" | 1" |
| - | 4+4 | 4+4 | 2+2 | - | 2+2 | - | - | - |
| - | 10+10 | 10+10 | 8+8 | - | 8+8 | 8+8 | 6+6 | - |
| - | 10+10 | 12+12 | 10+10 | - | 10+10 | 10+10 | 10+10 | - |


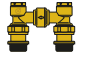

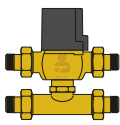
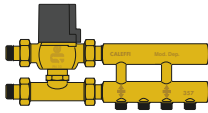
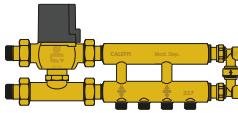
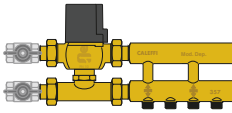
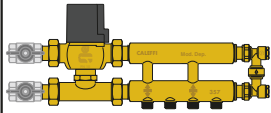
| | | | | | | | | |
|----|-------|-------|-------|----|-------|-----|------|----|
| | | | | | | | | |
| 1" | 3/4" | 1" | 3/4" | 1" | 3/4" | 1" | 3/4" | 1" |
| - | 2+2 | 2+2 | - | - | - | - | - | - |
| - | 8+8 | 8+8 | 6+6 | - | 6+6 | 4+4 | 4+4 | - |
| - | 10+10 | 10+10 | 10+10 | - | 10+10 | 8+8 | 8+8 | - |


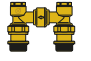

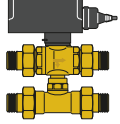
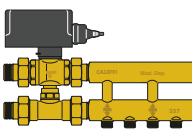
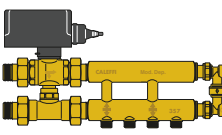
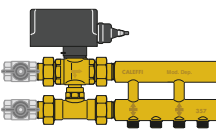
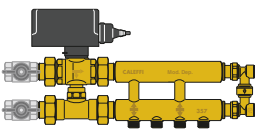
| | | | | | | | | |
|----|-------|-------|-------|----|-------|-----|------|-----|
| | | | | | | | | |
| 1" | 3/4" | 1" | 3/4" | 1" | 3/4" | 1" | 3/4" | 1" |
| - | 2+2 | 2+2 | - | - | - | - | - | - |
| - | 8+8 | 8+8 | 6+6 | - | 6+6 | 4+4 | 4+4 | 4+4 |
| - | 10+10 | 10+10 | 10+10 | - | 10+10 | 8+8 | 8+8 | 8+8 |


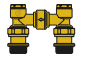

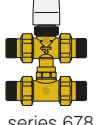
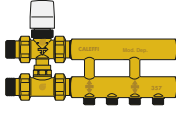
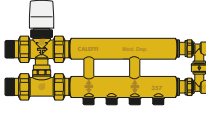
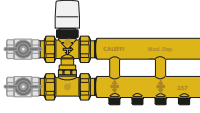
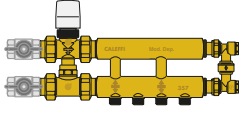
| | | | | | | | | |
|----|-------|-------|-------|----|-------|-------|-------|----|
| | | | | | | | | |
| 1" | 3/4" | 1" | 3/4" | 1" | 3/4" | 1" | 3/4" | 1" |
| - | 2+2 | 2+2 | 2+2 | - | - | - | - | - |
| - | 10+10 | 8+8 | 6+6 | - | 6+6 | 6+6 | 4+4 | - |
| - | 10+10 | 10+10 | 10+10 | - | 10+10 | 10+10 | 10+10 | - |

Choice of casing for use with 357 series single sided dual manifolds  . Maximum number of outlets.


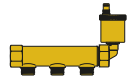

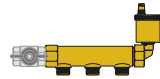


| For use with: | |  | | | |
|--|--------------|---|---|--|---|
|   code 356050 shut-off valves | |  |  |  |  |
| Code | Dimensions | 3/4" | 3/4" | 3/4" | 3/4" |
| 362036-363036 | 270 x 360 mm | 3+3 | 2+2 | 2+2 | - |
| 362056-363056 | 330 x 560 mm | 6+6 | 5+5 | 5+5 | 4+4 |
| 362073-363073 | 360 x 730 mm | - | 6+6 | 6+6 | 6+6 |

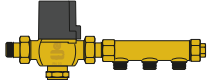
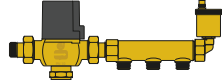
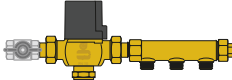
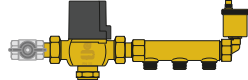




| For use with: | |  | | | |
|---|--------------|---|---|--|---|
|   code 356050 shut-off valves  series 633 + 635 | |  |  |  |  |
| Code | Dimensions | 3/4" | 3/4" | 3/4" | 3/4" |
| 362036-363036 | 270 x 360 mm | - | - | - | - |
| 362056-363056 | 330 x 560 mm | 4+4 | 4+4 | 3+3 | 3+3 |
| 362073-363073 | 360 x 730 mm | 6+6 | 6+6 | 5+5 | 5+5 |

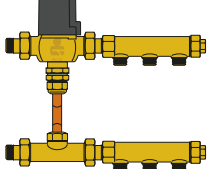
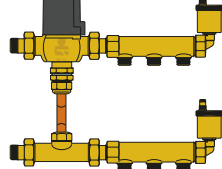
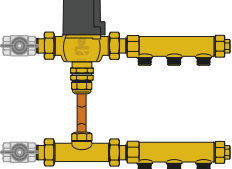
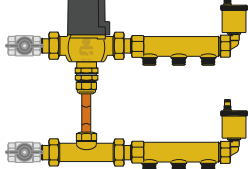






| For use with: | |  | | | |
|--|--------------|---|---|--|---|
|   code 356050 shut-off valves  series 648950 | |  |  |  |  |
| Code | Dimensions | 3/4" | 3/4" | 3/4" | 3/4" |
| 362036-363036 | 270 x 360 mm | 2+2 | - | 2+2 | - |
| 362056-363056 | 330 x 560 mm | 4+4 | 4+4 | 4+4 | 3+3 |
| 362073-363073 | 360 x 730 mm | 6+6 | 6+6 | 6+6 | 6+6 |

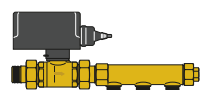
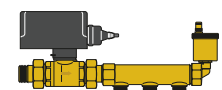
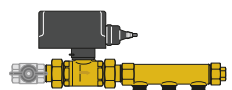
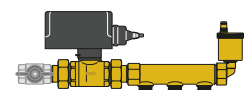


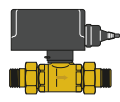

| For use with: | |  | | | |
|---|--------------|---|---|--|---|
|   code 356050 shut-off valves  series 678 | |  |  |  |  |
| Code | Dimensions | 3/4" | 3/4" | 3/4" | 3/4" |
| 362036-363036 | 270 x 360 mm | 4+4 | 2+2 | 2+2 | - |
| 362056-363056 | 330 x 560 mm | 5+5 | 4+4 | 5+5 | 4+4 |
| 362073-363073 | 360 x 730 mm | 6+6 | 6+6 | 6+6 | 6+6 |

Choice of casing for use with 350  and 592 series  distribution manifolds. Maximum number of outlets.







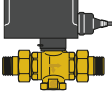



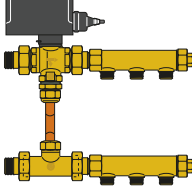
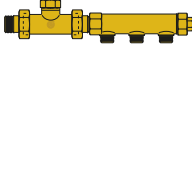
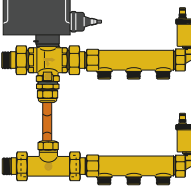
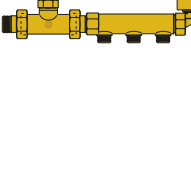
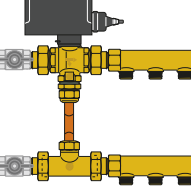
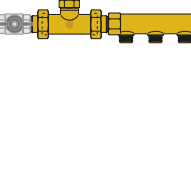
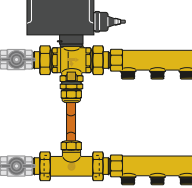
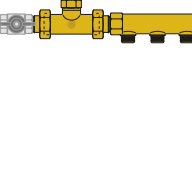
| For use with: | |  | |  | |  | |  | |
|--|--------------|---|-------|---|-------|--|-------|---|-------|
|  series 5020  shut-off valves | | | | | | | | | |
| Code | Dimensions | 3/4" | 1" | 3/4" | 1" | 3/4" | 1" | 3/4" | 1" |
| 362036-363036 | 270 x 360 mm | 6+6 | 6+6 | 6+6 | 6+6 | 4+4 | 4+4 | 4+4 | 4+4 |
| 362056-363056 | 330 x 560 mm | 10+10 | 10+10 | 10+10 | 9+9 | 8+8 | 8+8 | 8+8 | 7+7 |
| 362073-363073 | 360 x 730 mm | 14+14 | 14+14 | 13+13 | 13+13 | 12+12 | 12+12 | 11+11 | 11+11 |







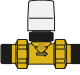



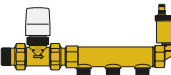

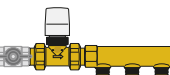

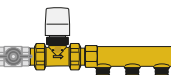
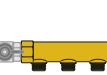
| For use with: | |  | |  | |  | |  | |
|---|--------------|---|-------|---|-------|--|-----|---|-----|
|  series 5020  shut-off valves  series 632  series 5995 | | | | | | | | | |
| Code | Dimensions | 3/4" | 1" | 3/4" | 1" | 3/4" | 1" | 3/4" | 1" |
| 362056-363056 | 330 x 560 mm | 7+7 | 7+7 | 7+7 | 5+5 | 6+6 | 5+5 | 6+6 | 5+5 |
| 362073-363073 | 360 x 730 mm | 11+11 | 10+10 | 10+10 | 10+10 | 10+10 | 8+8 | 9+9 | 8+8 |










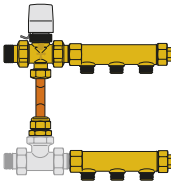

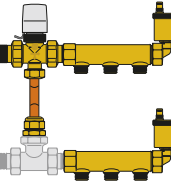

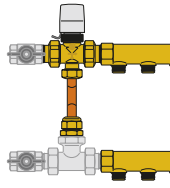

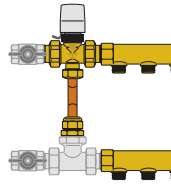

| For use with: | |  | |  | |  | |  | |
|--|--------------|---|-------|---|-------|--|-----|---|-----|
|  series 5020  shut-off valves  series 633  code 648018  series 635  series 5995 | | | | | | | | | |
| Code | Dimensions | 3/4" | 1" | 3/4" | 1" | 3/4" | 1" | 3/4" | 1" |
| 362073-363073 | 360 x 730 mm | 11+11 | 10+10 | 10+10 | 10+10 | 10+10 | 8+8 | 9+9 | 8+8 |

| For use with: | |  | |  | |  | |  | |
|--|--------------|---|-------|---|-------|--|-----|---|-----|
|  series 5020  shut-off valves  series 6470  series 5995 | | | | | | | | | |
| Code | Dimensions | 3/4" | 1" | 3/4" | 1" | 3/4" | 1" | 3/4" | 1" |
| 362056-363056 | 330 x 560 mm | 8+8 | 7+7 | 7+7 | 6+6 | 7+7 | 6+6 | 6+6 | 5+5 |
| 362073-363073 | 360 x 730 mm | 11+11 | 10+10 | 10+10 | 10+10 | 10+10 | 8+8 | 10+10 | 9+9 |

Choice for use with 350  and 592 series  distribution manifolds. Maximum number of outlets.

| For use with: | |  | |  | |  | |  | |
|--|--------------|---|---|---|---|--|--|---|---|
|  series 5020  shut-off valves  series 6480  code 648018  series 6490  series 5995 | |  |  |  |  |  |  |  |  |
| Code | Dimensions | 3/4" | 1" | 3/4" | 1" | 3/4" | 1" | 3/4" | 1" |
| 362073 - 363073 | 360 x 730 mm | 11+11 | 10+10 | 10+10 | 10+10 | 10+10 | 8+8 | 10+10 | 9+9 |

| For use with: | |  | |  | |  | |  | |
|--|--------------|---|---|---|---|--|---|---|---|
|  series  shut-off valves  series 676  series 5995 | |  |  |  |  |  |  |  |  |
| Code | Dimensions | 3/4" | 1" | 3/4" | 1" | 3/4" | 1" | 3/4" | 1" |
| 362056 - 363056 | 330 x 560 mm | 8+8 | 8+8 | 8+8 | 8+8 | 7+7 | 7+7 | 7+7 | 6+6 |
| 362073 - 363073 | 360 x 730 mm | 11+11 | 11+11 | 11+11 | 11+11 | 11+11 | 10+10 | 10+10 | 10+10 |

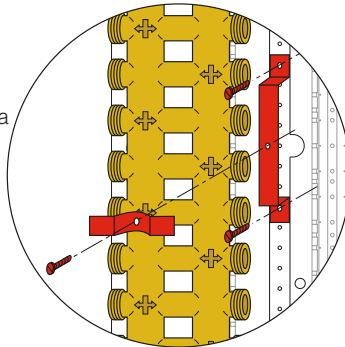
| For use with: | |  | |  | |  | |  | |
|---|--------------|---|---|---|---|--|---|---|---|
|  series 5020  shut-off valves  series 677  code 648018  series 5995 | |  |  |  |  |  |  |  |  |
| Code | Dimensions | 3/4" | 1" | 3/4" | 1" | 3/4" | 1" | 3/4" | 1" |
| 362073 - 363073 | 360 x 730 mm | 11+11 | 11+11 | 11+11 | 11+11 | 11+11 | 10+10 | 10+10 | 10+10 |

Use

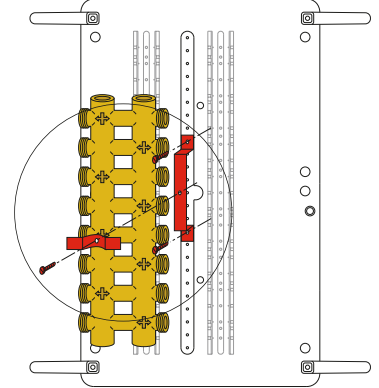
The type of system to be adopted, whether with single or dual manifolds, must be known for proper positioning of casings.

• Dual manifolds mounting

Use bracket code 362001 to fit series 356 distribution manifold in the box by fixing it to the central ridge at the bottom of the box. It is important that the space between the edge of the box and the anchor ridge is greater on the side where a motor for a zone valve is located, if fitted.



Positioning of code 362001 bracket



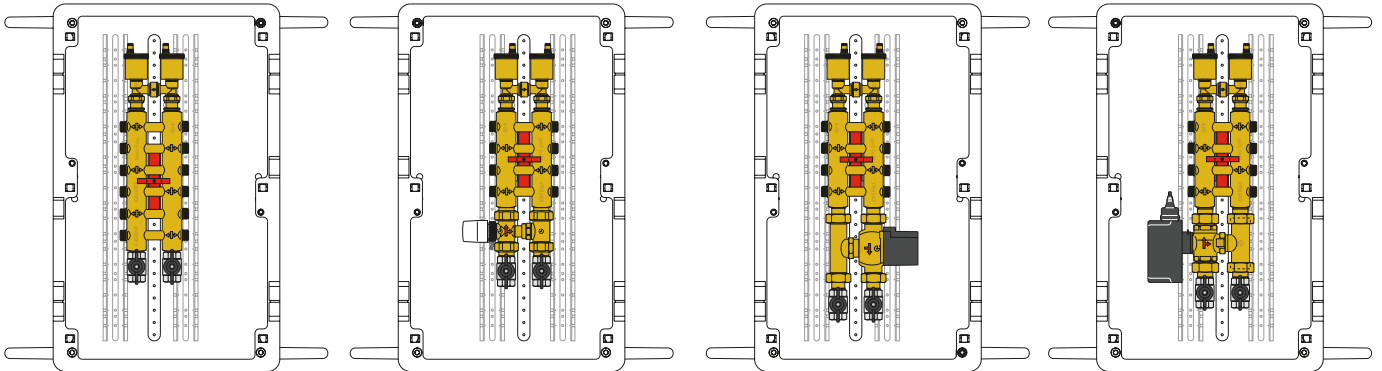
• Examples of positioning serie 356 dual manifolds:

simple

with series 678 zone valve

with series 633 zone valve

with series 6480 zone valve

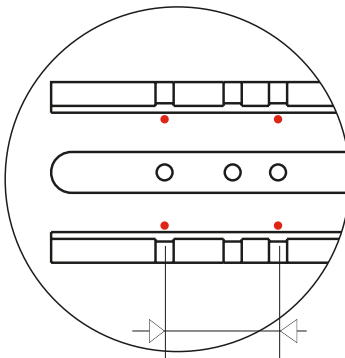
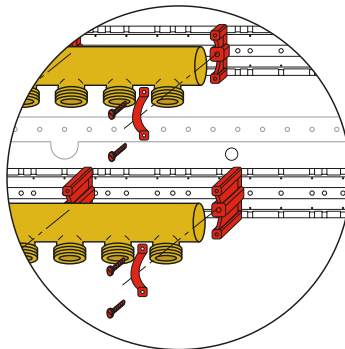


• Distribution manifold mounting

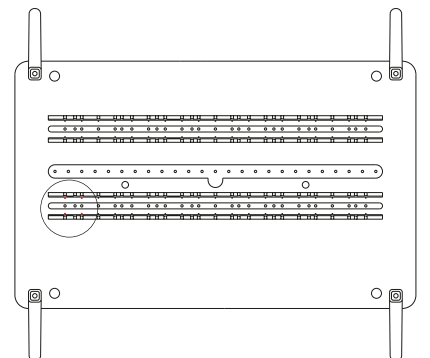
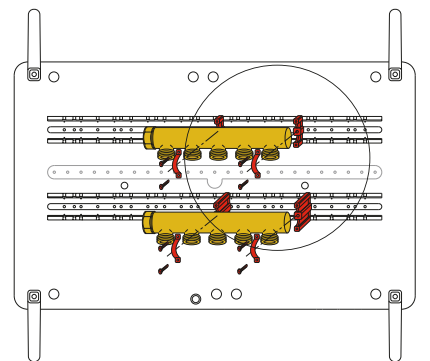
Use code 360001 brackets for 1" distribution manifolds, 350 and 592 series; for 3/4" and 1" distribution manifolds, 351 and 598 series. Use code 360002 brackets for 3/4" 349 series, 350 and 592 distribution manifold.

Make sure that the space between the edge of the box and the manifolds is greater on the pipe outlet side. If zone valves are fitted, the greater space should be left on the servo-control side.

The bracket fasteners marked by a raised point (in red in the diagram) are for the positioning of the brackets for fixing manifolds with 50 mm spacing. The fasteners without a raised point are for the manifolds with 35 mm spacing.



Positioning of code 360001 bracket

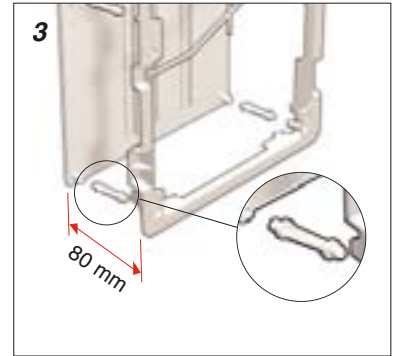
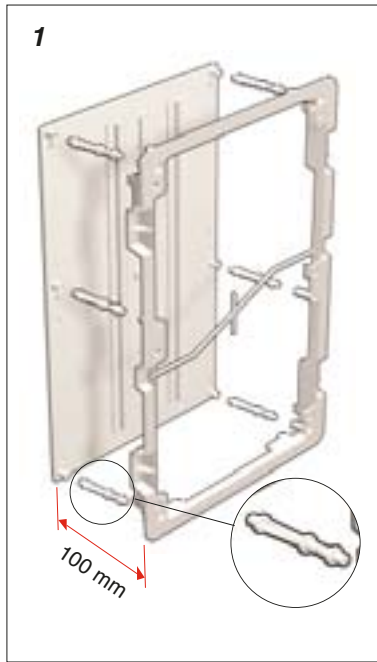
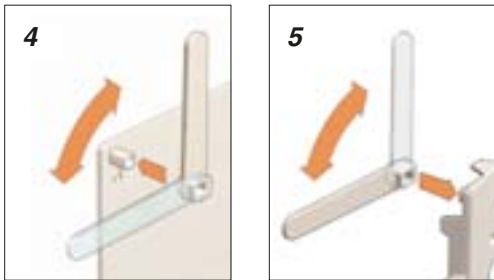


Installation

The box is supplied with a series of spacers to set the depth of the space available inside at between 80 mm and 100 mm.

The spacer is supplied for a depth of 100 mm. (fig. 1). It can be cut or broken at the point indicated (fig. 2) to provide a depth of 80 mm. (fig. 3).

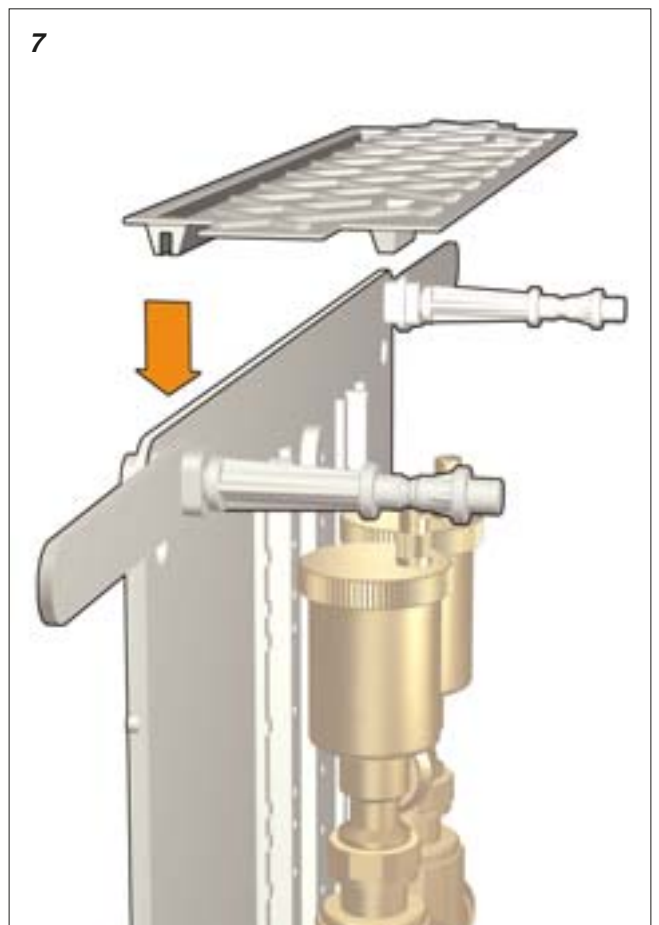
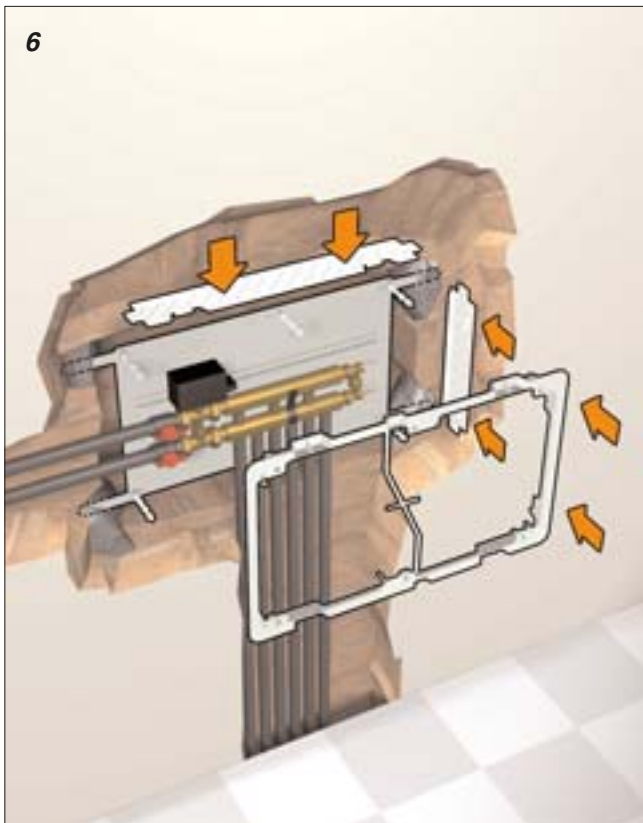
The angle brackets for anchoring the box in the wall can be fixed at the bottom (fig. 4) or to the frame (fig. 5). They can also be set in a vertical or horizontal position. The particular way in which they are set will prevent them from moving while they are being cemented in.



The box comes complete with guards to place on the sides where no piping passes to prevent mortar from falling on them and dirtying them when the casing is set into the mortar.

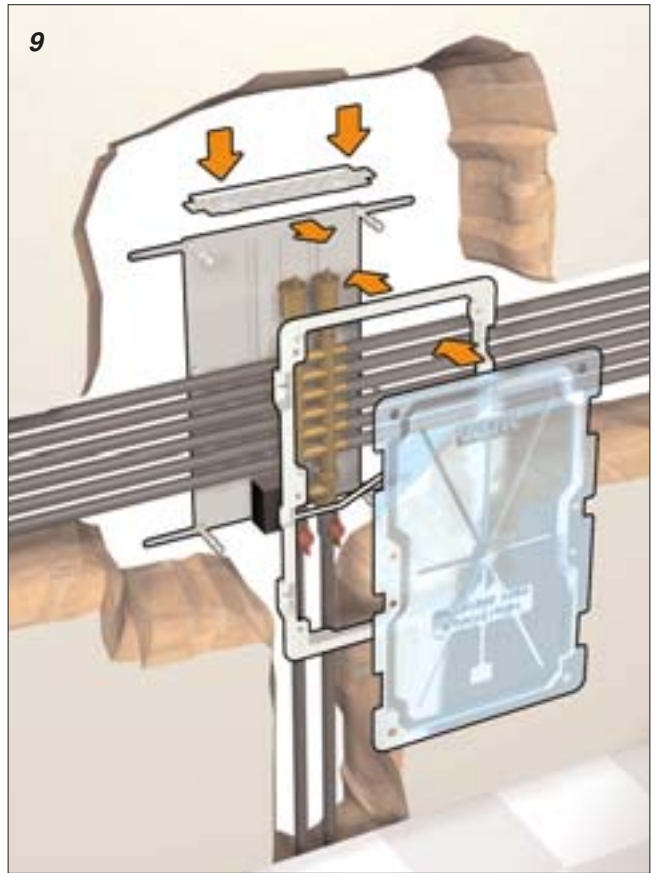
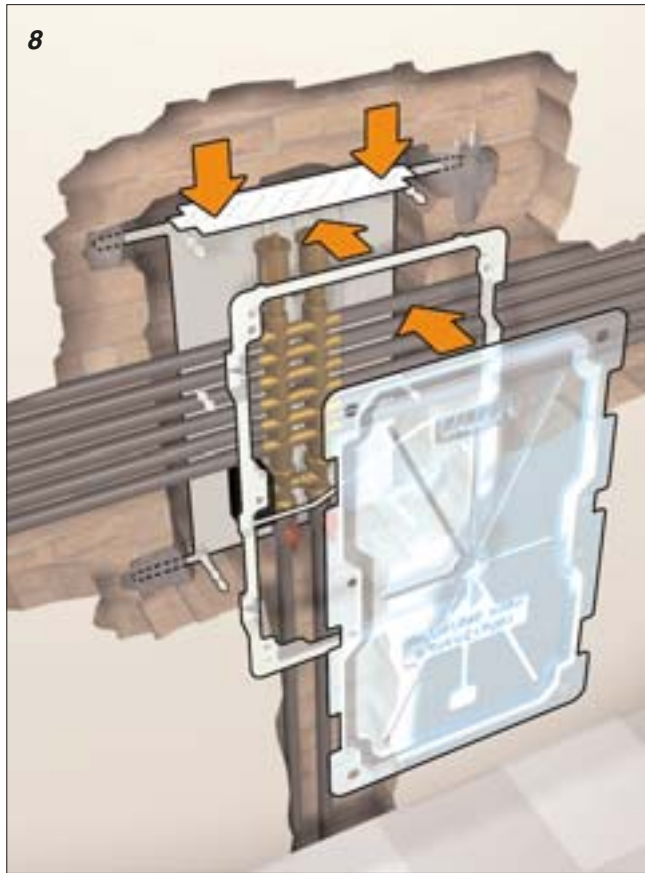
Guards are provided for both the narrow and the broad side, to be fitted depending on whether the casing is positioned horizontally or vertically.

The guards are fitted with special fasteners to fix them to the bottom of the box and it is therefore best to fit them before placing the casing in the wall.



After the components have been positioned and tested for leaks, the guard (supplied with the casing) should be positioned before cement operations commence to prevent cement from entering the box and dirtying the contents.

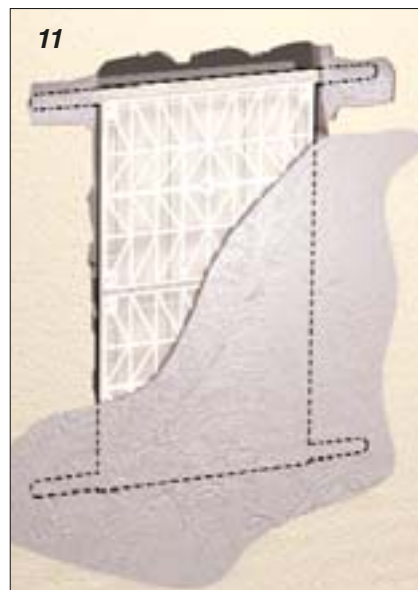
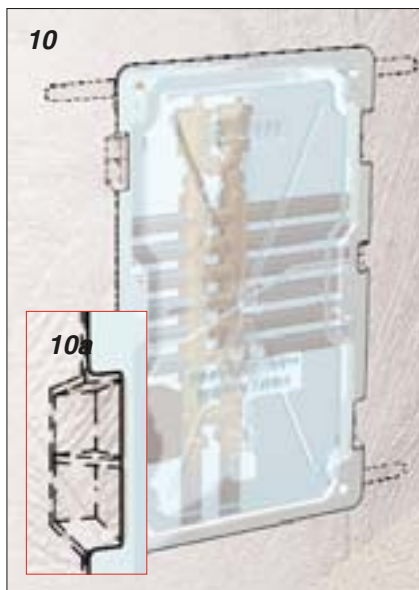
The casing lends itself easily to methods normally employed on building sites for embedding. For example, once the distributor manifold has been installed with all the accessories and leak tests have been performed, the proper depth is measured and it is assembled from the two sides. It can all be then cemented in.



The shape of the frame and of the anchoring brackets (Fig. 10 and Fig. 10a) ensures reliable anchoring in the cement and will prevent cracks and breaks in the wall near the frame.

A grid (Fig. 11) over the whole of the back of the box ensures proper anchoring in the plaster.

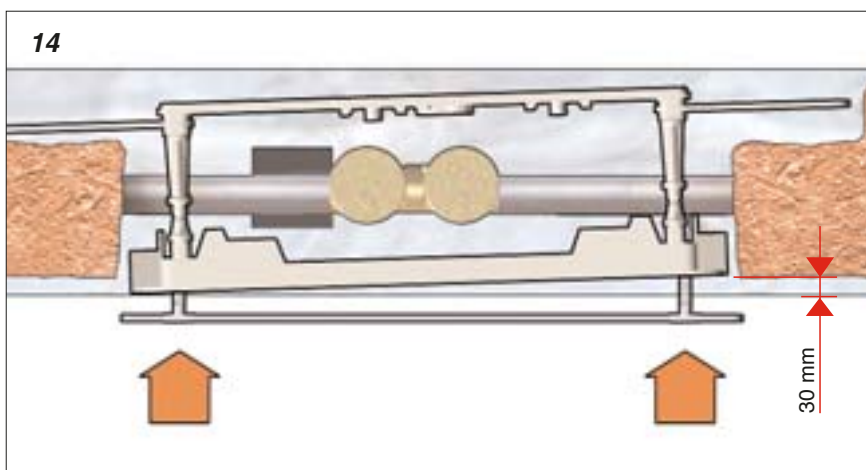
The box comes with an anti-crush bar which must be removed after the cement has set.



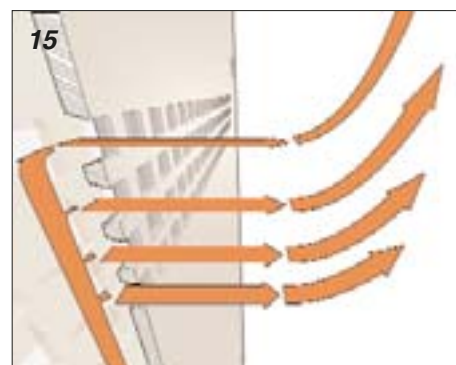
A special fastening system for the cover ensures rapid fitting and secure closing no matter how many times it is opened and closed. The screw can be turned with either a 5 mm. Allen wrench or a coin (fig. 13 – fig. 13a). Turning the screw results in controlled deformation of the screw hole which ensures that it tightens and locks (fig. 13b).



The cover allows for a 30 mm depth tolerance for possible errors in the wall finish.

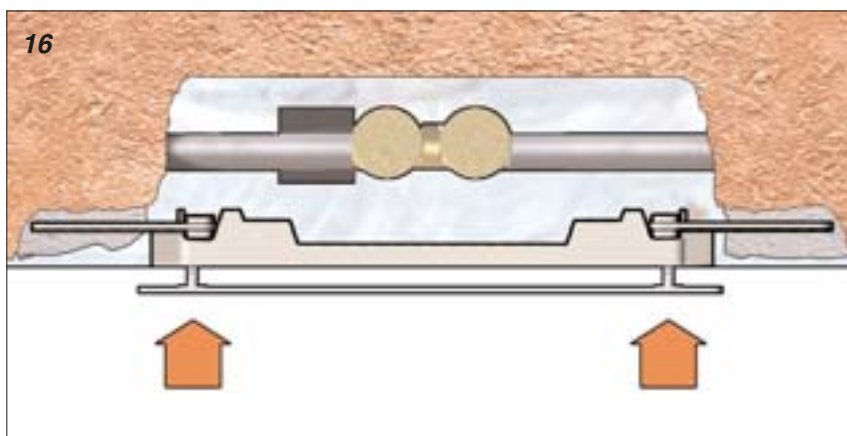


The ventilation holes in the cover are specially shaped so that air exits from the cover at a speed and in a direction which takes it immediately away from the cover. This prevents the formation of ugly marks on the wall.

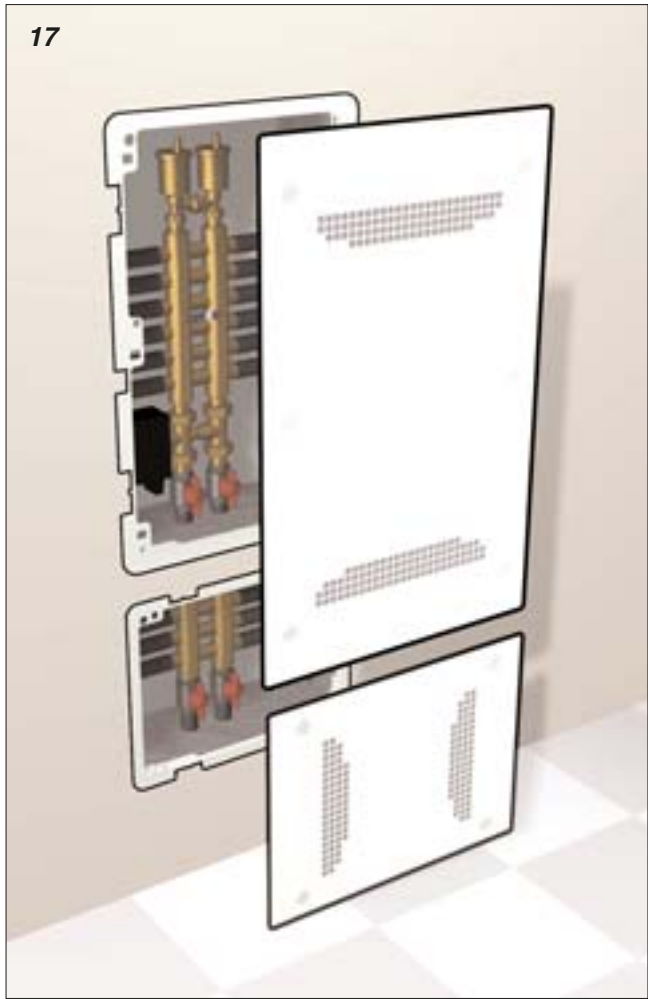


• Installation of 363 series wall port

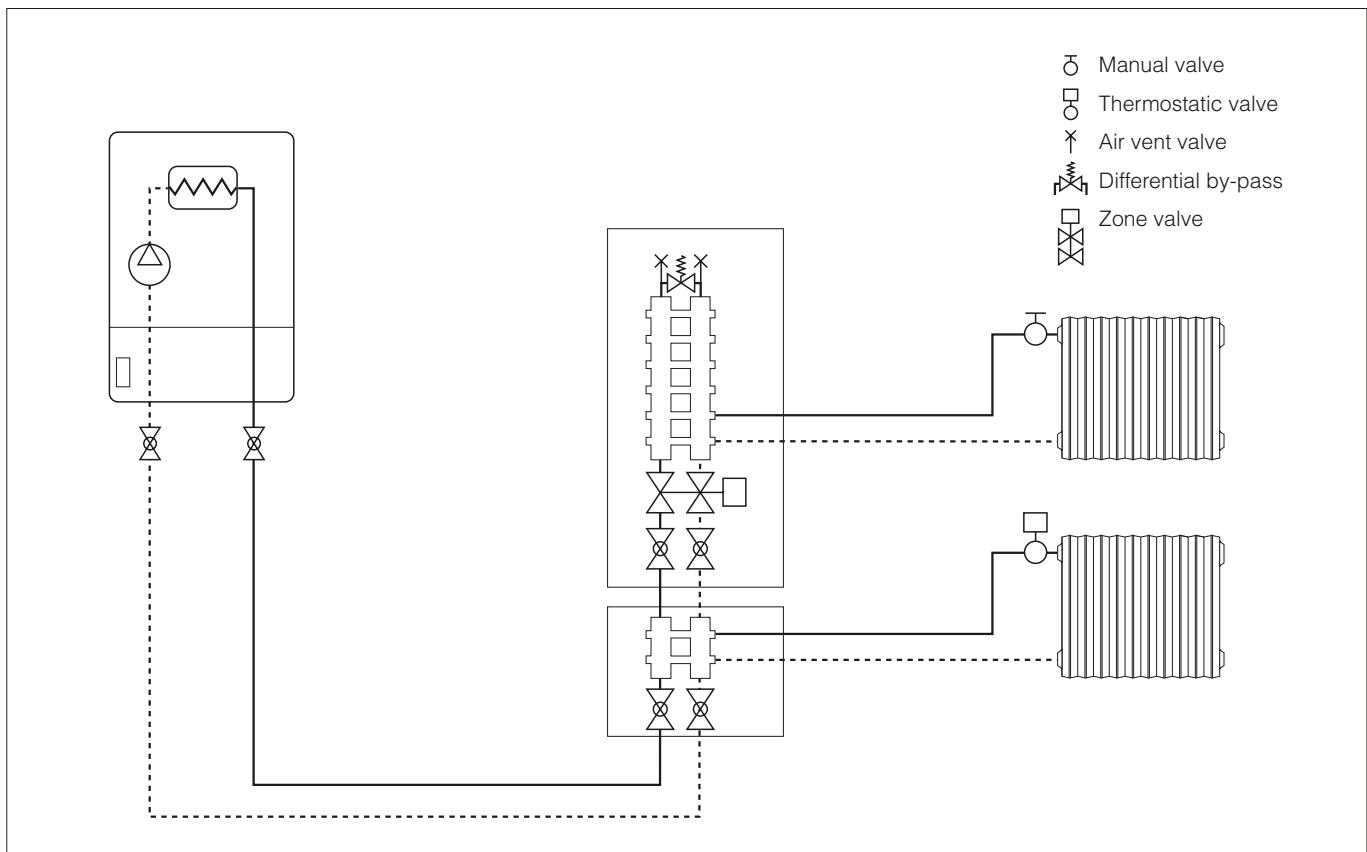
Another typical type of installation is where a recess is cut directly into the wall (fig. 16) and consequently only the series 363 inspection wall port is required. As in the case already described (fig. 5), the anchoring brackets are fixed directly to the inside of the frame.



When installed vertically box code 362073 has a width of 360 mm, which is the same as the length of box code 362036 installed horizontally; this allows the two boxes to be positioned one above the other for particularly complex systems.



Application diagram for code 362073 + 362036 boxes



SPECIFICATION SUMMARIES

Series 362

Inspection plastic box with ventilation openings.
Colour white RAL 9010. Internal dimensions (h x b x d).
Code 362036 mm 360 x 270 x 100/80.
Code 362056 mm 560 x 330 x 100/80.
Code 362073 mm 730 x 360 x 100/80.

Series 363

Inspection plastic wall port with ventilation openings.
Colour white RAL 9010. Internal dimensions (h x b x d).
Code 363036 mm 360 x 270 x 100/80.
Code 363056 mm 560 x 330 x 100/80.
Code 363073 mm 730 x 360 x 100/80.

Code 360001

Mounting brackets for 1" distribution manifolds, 350 and 592 series; for 3/4" and 1" distribution manifolds, 351 and 598 series. In each package: two long and two short brackets.

Code 360002

Mounting brackets for 3/4" 349, 350 and 592 series distribution manifold. In each package: two long and two short brackets.

Code 360001

Mounting brackets for single sided dual manifolds 356, 357 series and zone kit 640 series.

We reserve the right to change our products and their relevant technical data, contained in this publication, at any time and without prior notice.

